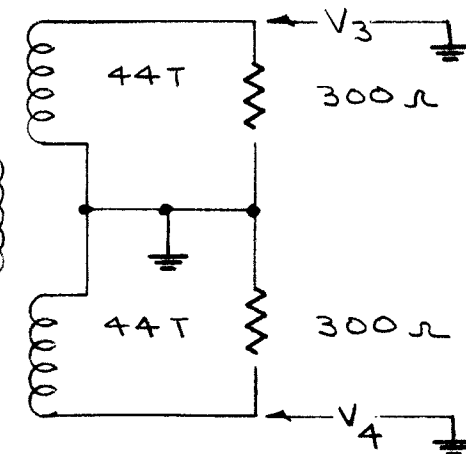
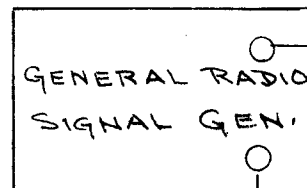
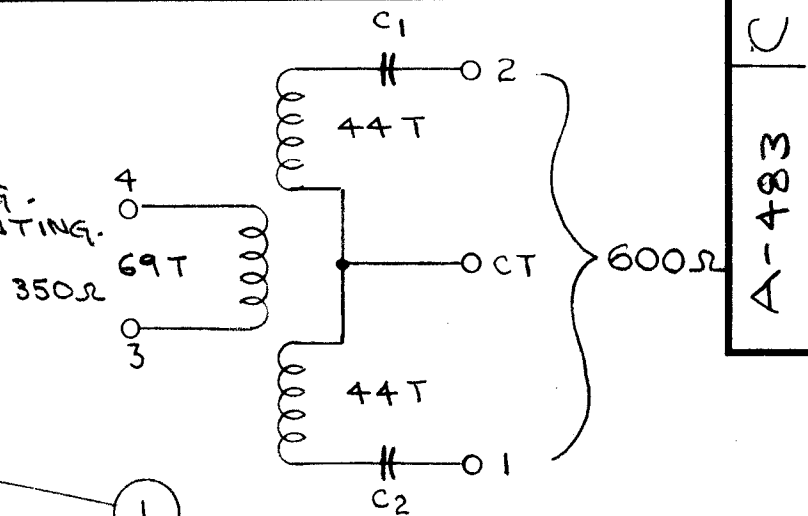
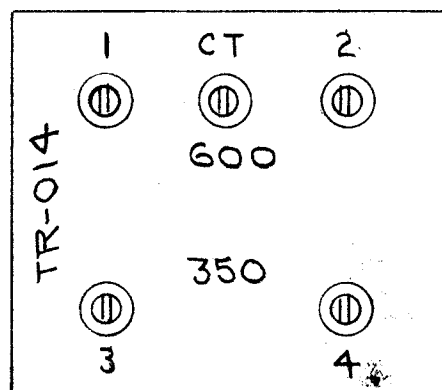


IF IT IS FOUND DESIRABLE TO CHANGE ANY TOLERANCE OR OTHER DETAIL SPECIFIED ON THIS DRAWING NOTIFY THE PURCHASER PROMPTLY.

MAXIMUM ALLOWABLE TOLERANCES HAVE BEEN DETERMINED AND DEVIATIONS WILL BE CAUSE FOR REJECTION. REMOVE ALL BURRS AND SHARP EDGES

METAL STAMP BEFORE STAMPING.
1/8 HIGH BLACK GOTHIC STAMPING AFTER PAINTING.

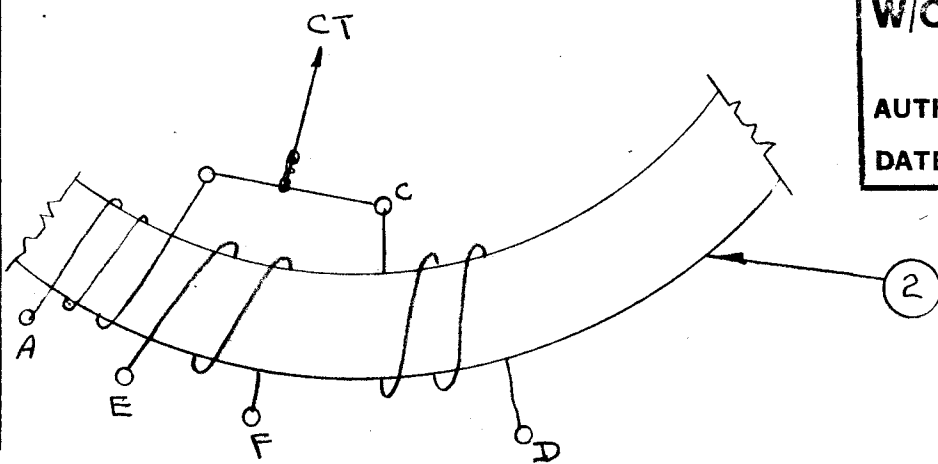
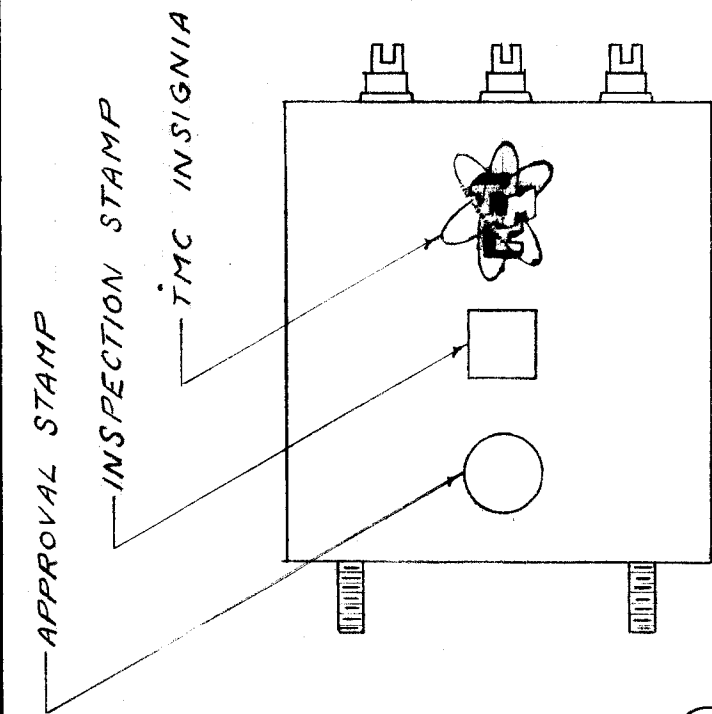


Stamp CT-600-350-TR-014
As shown

Capacitors C₁ & C₂ Are To
Be Potted in Case.

FINISH:

S-114 - ZINC CHROMATE PRIMER
S-115 - SMOOTH GREY ENAMEL

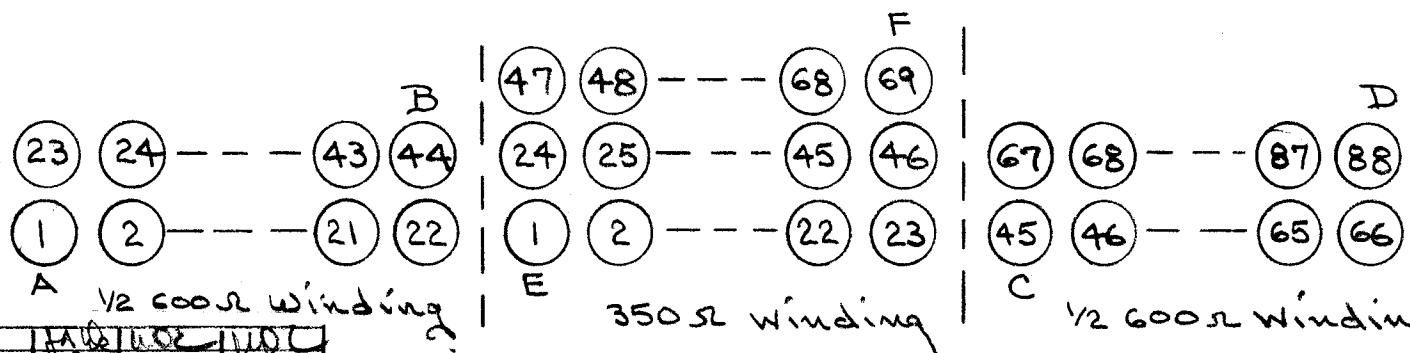


**NOT TO BE RELEASED
W/O AUTHORIZATION**

AUTH. BY.....
DATE:.....

f Kc	R.F. VOLTS			
	V ₁	V ₂	V ₃	V ₄
20	1.0	.48	.29	.3
65	1.0	.52	.3	.31
200	1.0	.58	.31	.3

HEWLETT PACKARD VTVM



REQ.	ITEM	PART NO.	DESCRIPTION	SYMBOL
1	7	NP-117	TMC INSIGNIA	
X	6	GL-100	POTTING COMPOUND	
X	5	BS-100	SOLDER	
2	4	CN-100-4	CAPACITOR .1uf 400 V	C ₁ -C ₂
X	3	WI-102-9	WIRE	
1	2	CI-104	CORE	
1	1	BX-110	CASE	

ISSUE	ITEM	CHANGED FROM	DATE	CN. NO.	DRAFTS	CHECKER	ENG. APP.
C	1	FINISH ADDED	5/12/53	3	JAW	WSE	WOT
B	1	CH WAS CM	5/3/53	2	JAW	ARB	ARB
A	1	REDRAWN	7/15/53	1	JAW	COO	ARB

TOLERANCES		SCALE:
ALL OTHERS	DEC. DIM. ± FRAC. DIM. ± ANGULAR DIM. ±	DRILL, PUNCH, COMMERCIAL STOCK SIZES AND MANUFACTURERS TOLERANCES ARE NOT INCLUDED.

QUAN. REQ.	MODEL	PROJECT NO.	ASS'Y. NO.	DATE
	BAC-1-S-20			

THE TECHNICAL MATERIEL CORP. MAMARONECK, NEW YORK			
STOCK SIZE			
MATERIAL WEIGHT PER PC.			
TYPE & TEMPER			
HEAT TREAT. SPEC.		FINISH & SPEC. NO.	
DRAWN		MECH. DES. APP.	
CHECKED		FINAL APPROVAL	
		A-483 C	