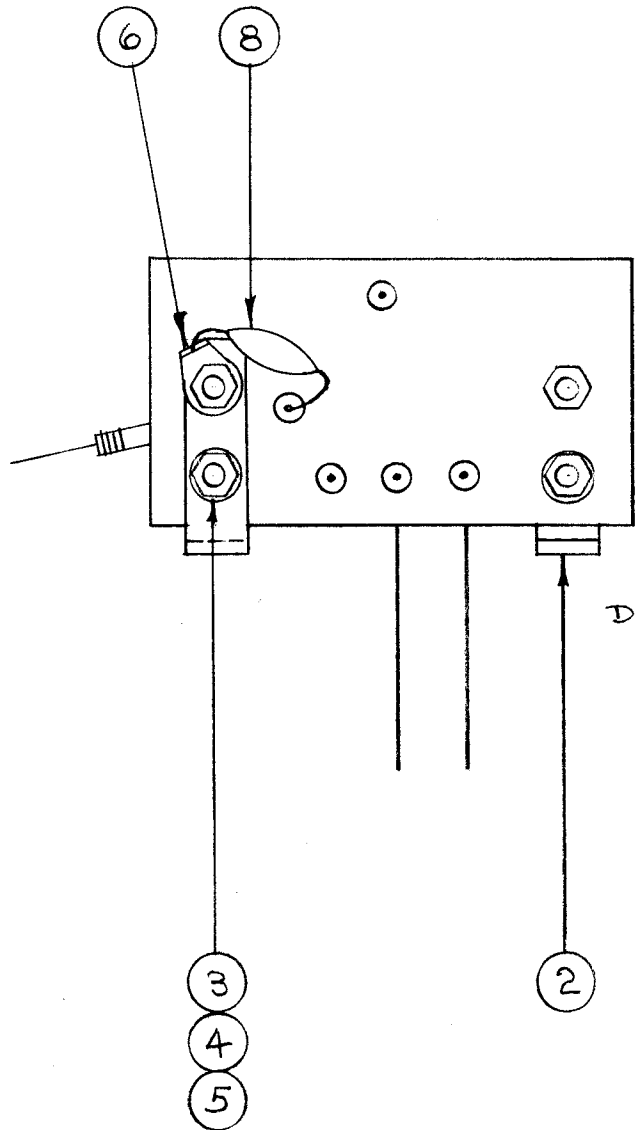
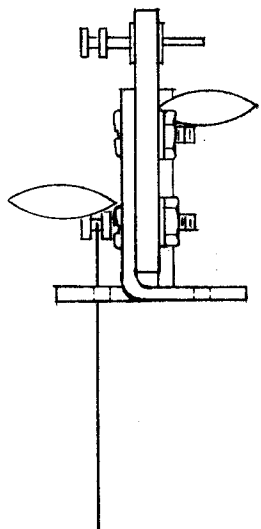
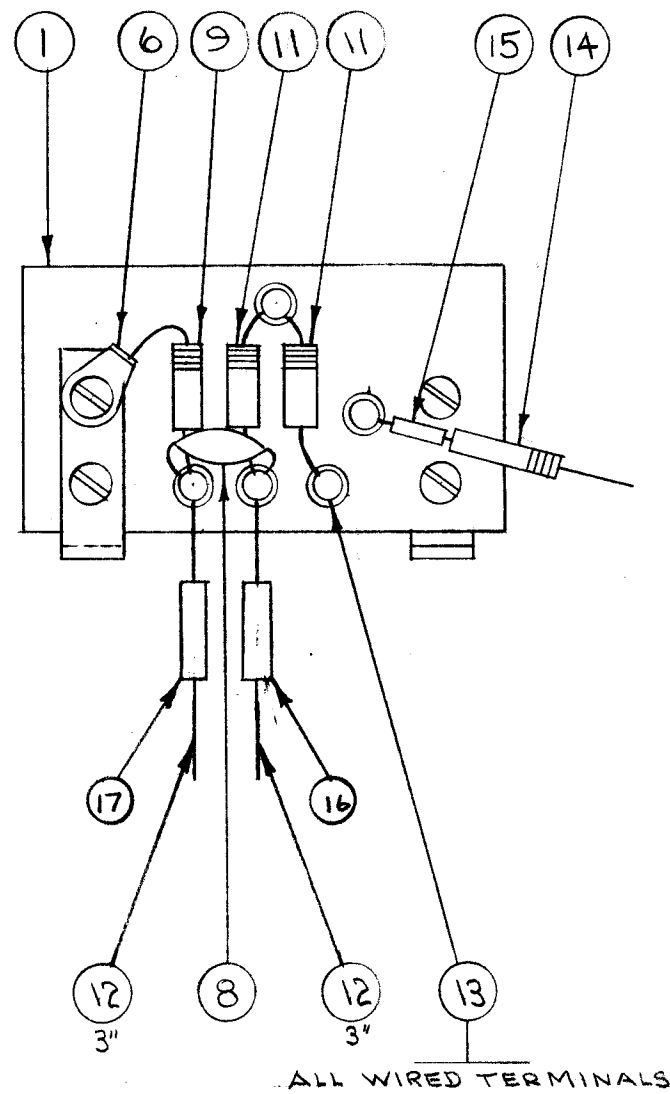


IF IT IS FOUND DESIRABLE TO CHANGE ANY TOLERANCE OR OTHER DETAIL SPECIFIED ON THIS DRAWING NOTIFY THE PURCHASER PROMPTLY.

MAXIMUM ALLOWABLE TOLERANCES HAVE BEEN DETERMINED AND DEVIATIONS WILL BE CAUSE FOR REJECTION. REMOVE ALL BURRS AND SHARP EDGES

A-462 C



1"	17	PX-104-4-022	INSULATION, SLEEVING	
1"	16	PX-104-6-022	INSULATION, SLEEVING	
1/2"	15	PX-104-6-034	INSULATION, SLEEVING	
1	14	RC20GF125K	RESISTOR, FIXED 1.2 meg.	R117
X	13	BS-100	SOLDER, SOFT	
6"	12	WL-100-8	WIRE, BUSS BAR	
2	11	RC20GF124K	RESISTOR, FIXED 120 K	R124 R123
1	10	RC20GF683K	RESISTOR, FIXED 68K	R124
1	9	RC20GF474K	RESISTOR, FIXED 470K	R125
2	8	CC-100-16	CAPACITOR, FIXED .01uf	C146 C125
#	7	DELETED	//	
2	6	TE-110-2	LUG, SOLDER	
4	5	NTH0440BC8	NUT, HEX	
2	4	LWS04MRC	LOCKWASHER, SPLIT	
4	3	SCBS0440BC6	SCREW, MACHINE	
2	2	MS-343	BRACKET, TERM. BD.	
1	1	A-1181	BOARD, TERMINAL (AUDIO)	

REQ.	ITEM	PART NO.	DESCRIPTION	SYMBOL
THE TECHNICAL MATERIEL CORP.				
MAMARONECK. NEW YORK				
TERMINAL BOARD ASSEMBLY				
AUDIO				
CDD. 4-23-53				
DRAWN		ELEC. DES. APP.		MECH. DES. APP.
WDE				
CHECKED		FINAL APPROVAL		
		A-462 C		

C	1	ITEMS 16 & 17 ADD.	6/11/55	A221			
B	2	ITEM 11 WAS 1 REQ	6/8/56	2	JAD	PXL	BST
	1	ITEM 10 DELETED					
A	2	ITEM 7 WAS TE-131-4	12/14/55	1	B	JNO	WDL
	1	ITEM 1 WAS PX-168					

ISSUE	ITEM	CHANGED FROM	DATE	CN. NO.	DRAFTS	CHECKER	ENG. APP.
TOLERANCES							
ALL OTHERS		DEC. DIM. ±	SCALE: 1" = 1"				
		FRAC. DIM. ±	DRILL, PUNCH, COMMERCIAL STOCK				
		ANGULAR DIM. ±	SIZES AND MANUFACTURERS				
			TOLERANCES ARE NOT INCLUDED.				

FFR	104	A-263	5-13-53
MODEL	PROJECT NO.	ASS'Y. NO.	DATE
USED ON			