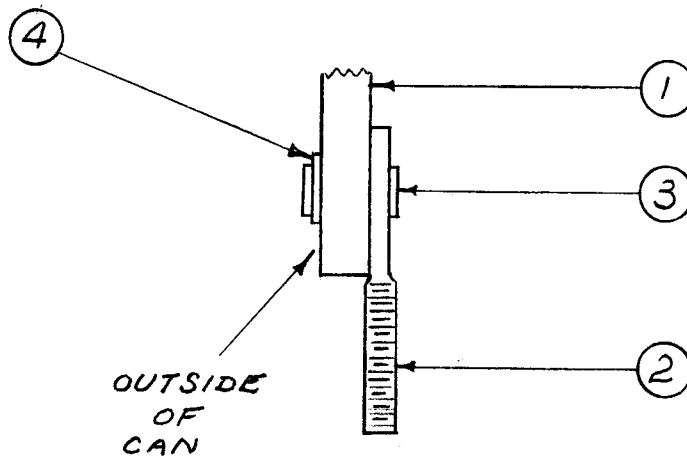
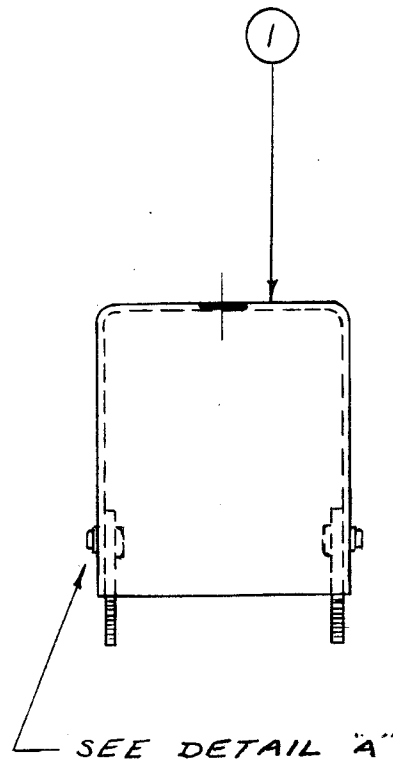
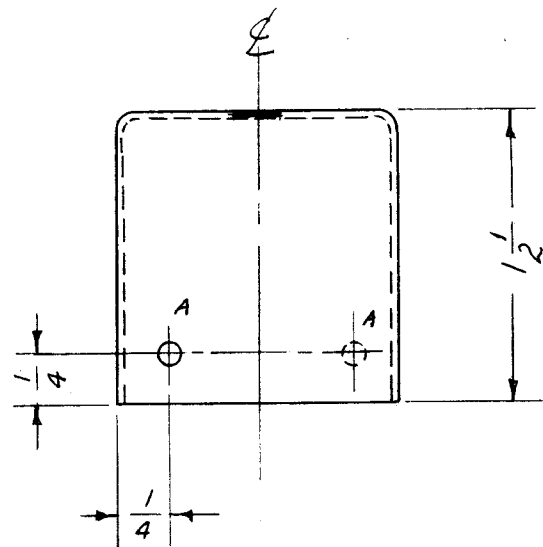
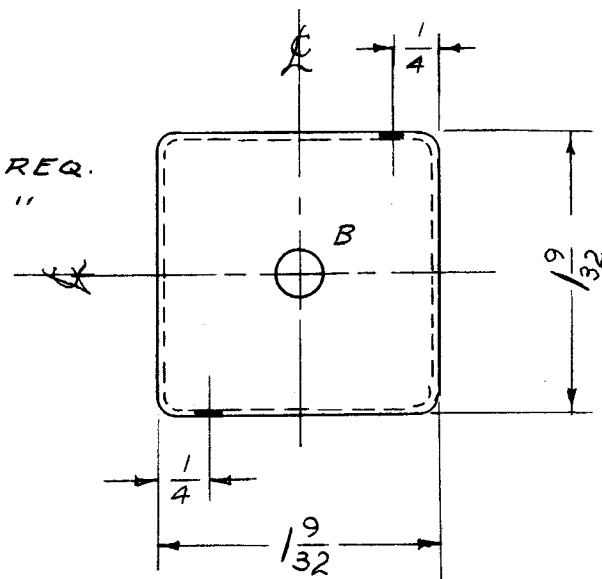


IF IT IS FOUND DESIRABLE TO CHANGE ANY TOLERANCE OR OTHER DETAIL SPECIFIED ON THIS DRAWING NOTIFY THE PURCHASER PROMPTLY.

MAXIMUM ALLOWABLE TOLERANCES HAVE BEEN DETERMINED AND DEVIATIONS WILL BE CAUSE FOR REJECTION. REMOVE ALL BURRS AND SHARP EDGES

A-425 C

A = 1/8 (.125) D. 2 HOLES REQ.
 B = 1/4 (.250) D. 1 " "



DETAIL A

REQ.	ITEM	PART NO.	DESCRIPTION	SYMBOL
2	4	FWO4HBN	WASHER	
2	3	EY-100-1	EYELET	
2	2	SC-106-1	BOLT, SPADE	
1	1	BX-102-C	CAN	
—#—			THE TECHNICAL MATERIEL CORP.	
STOCK SIZE			MAMARONECK, NEW YORK	
ALUMINUM			I.F. CAN - RF CHASSIS	
MATERIAL WEIGHT PER PC.			MODEL VOX	
—#—			P.D. 1-18-55	
TYPE & TEMPER			DRAWN	
—#—			ELEC. DES. APP.	
HEAT TREAT. SPEC.			MECH. DES. APP.	
—#—			CHECKED	
FINISH & SPEC. NO.			FINAL APPROVAL	
			A-425 C	

ISSUE	ITEM	CHANGED FROM	DATE	CN. NO.	DRAFTS	CHECKER	ENG. APP.
C	1	ITEM 4 WAS FWO4MRC	6-21-62	6470	DRM	JAD	[Signature]
B	1	ITEM 1 WAS BX-102-3	8/8/56	2	B	JAD	[Signature]
A	1	ITEM 4 ADDED	1-18-55	1	P.B.	JAD	[Signature]

REQ. PER UNIT	MODEL	PROJECT NO.	ASS'Y. NO.	DATE
1	VOX-3,4,5,6			6-21-62
5	VOX-2	291		1-18-55
5	VOX-1	291		1-18-55
5	VOX			1-18-55

ALL OTHERS	DEC. DIM. ±	FRAC. DIM. ±	ANGULAR DIM. ±	SCALE:	DRILL, PUNCH, COMMERCIAL STOCK SIZES AND MANUFACTURERS TOLERANCES ARE NOT INCLUDED.

USED ON