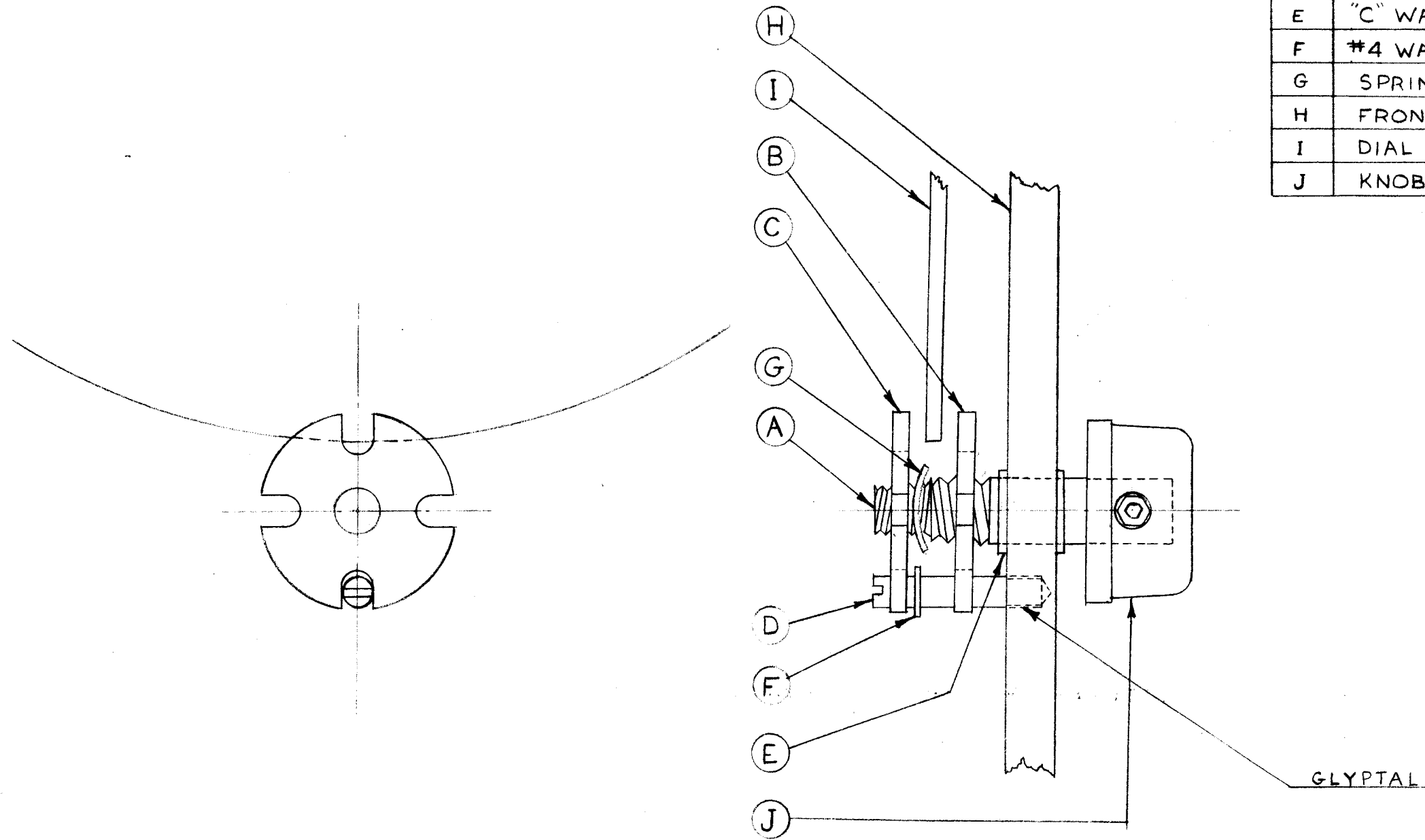


A-415

SYM.	DESCRIPTION	REQ.	TMC NO.
A	SHAFT	1	PM-223
B	LEFT-HAND DISK	1	PM-224
C	RIGHT-HAND DISK	1	PM-225
D	PIN	1	PN-108
E	"C" WASHER	2	WA-113
F	#4 WASHER	1	WA-114
G	SPRING WASHER	1	WA-115
H	FRONT PANEL	1	MS-337
I	DIAL PLATE	1	MS-316
J	KNOB	1	MP-102-2



SUPERCEDES
BMS087

DIAL LOCK ASSY VOX	
THE TECHNICAL MATERIEL CORPORATION MAMARONECK, NEW YORK	
DATE 9-4-52	CHKD.
DRAWN <i>Label</i>	APPD. <i>[Signature]</i>
SHEET OF	NO A-415

USED ON A-631

REQ 1 PER UNIT