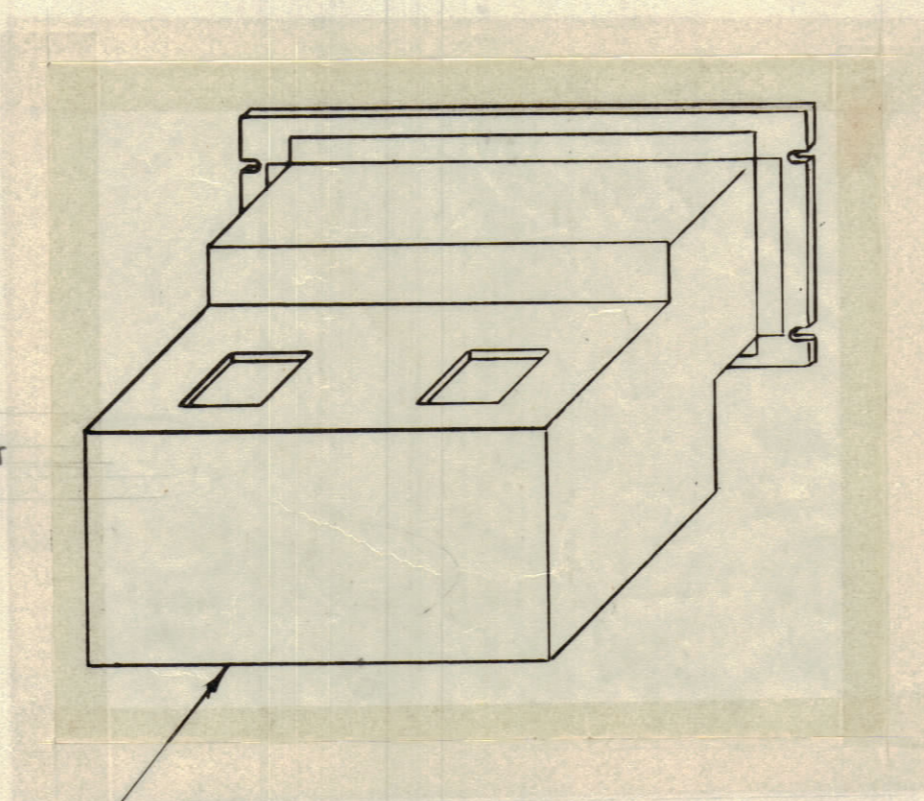
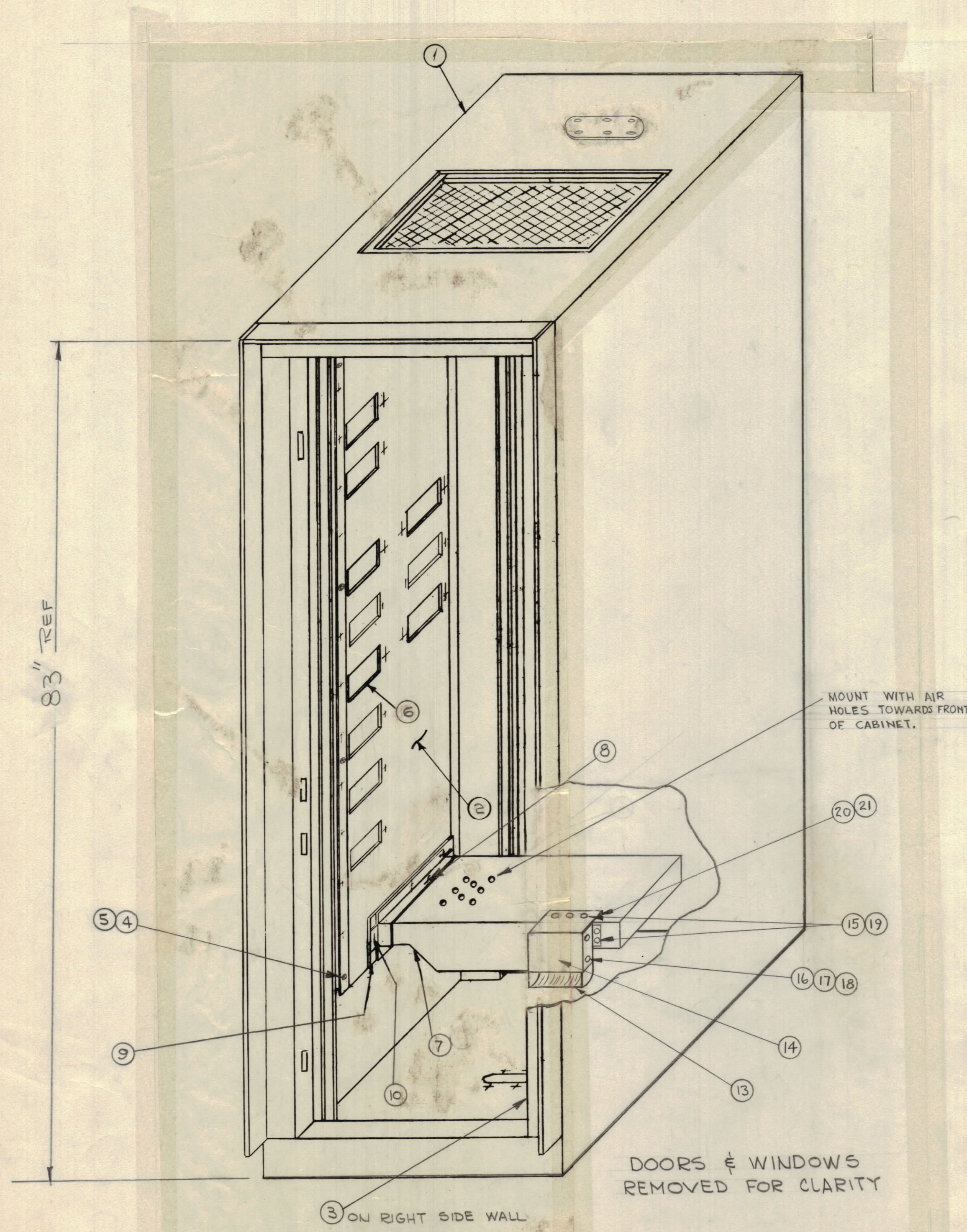


ZONE		SYM		DESCRIPTION		DATE		E.M.N. NO.		DRAFT		CHKD		APPD	
X	X	EXPER. RELEASE				11/25/64		8		ZL					
A	A	ORIGINAL RELEASE FOR PRODUCTION				11/25/64		8		ZL					
				IT. 13 THRU 21 ADDED; MOUNTING NOTE ADD. TO PIC 4.4.65				13799		ZL					



NOTE:
MS3351 & MS3352, 1 EACH TO BE SUPPLIED BY CABINET MFG. TMC TO REMOVE AND ASSEMBLE AS PART OF AX390.

SEE NOTE

REQ'D.	ITEM	PART NUMBER	DESCRIPTION	SYMBOL
2	21	TAMI-2-6-1.12A	TAPE, URETHANE	
2	20	TAMI-2-6-6.50A	TAPE, URETHANE	
7	19	LWS06MRN	WASHER, LOCK, SPLIT	
4	18	LWE06MRN	WASHER, LOCK, EXTERNAL	
4	17	FW06HBN	WASHER, FLAT	
4	16	SCBP0632BN4	SCREW, MACHINE	
7	15	SCBP0632BN6	SCREW, MACHINE	
1	14	MS4191	FLUE, AIR DUCT	
1	13	MS4192	FLUE, AIR DUCT	
X	12	MS3352	COVER, FAN CHASSIS	
X	11	MS3351	CHASSIS, FAN	
6	10	SCBP0632BN6	SCREW, MACHINE	
2	9	GA152	GASKET, RECTANGLE	
2	8	MS3101	FLANGE, TANK	
1	7	MS3887	TANK, PRESSURE	
22	6	FPI94	DEFLECTOR, AIR	
16	5	LWS06MRN	WASHER, LOCK, SPLIT	
16	4	SCBP0632BN4	SCREW, MACHINE	
1	3	MS3888-2	DUCT, RIGHT	
1	2	MS3888-1	DUCT, LEFT	
1	1	RAK-102-1	CABINET, ELEC. EQUIP. BASIC	

STURMER		LIST OF MATERIAL	
MATERIAL	—/—	THE TECHNICAL MATERIEL CORP. MAMARONECK, NEW YORK	
FINISH	—/—	TITLE: CABINET, ELECTRICAL EQUIP.	
UNLESS OTHERWISE SPECIFIED DIMENSIONS ARE IN INCHES AND INCLUDE CHEMICALLY APPLIED OR PLATED FINISHES		DRAWN	DATE
DECIMALS: .X ± .05, .XX ± .01, .XXX ± .005		CHECKED	DATE
FRACTIONS: ± 1/64, ANGLES ± 0° 30'		ELECT. DES.	DATE
TOLERANCES: ± 1/64, ANGLES ± 0° 30'		MECH. DES.	DATE
THE CONTENTS OF THIS DRAWING ARE THE EXCLUSIVE PROPERTY OF THE TECHNICAL MATERIEL CORP. ITS UNAUTHORIZED USE OR REPRODUCTION IN WHOLE OR IN PART IS STRICTLY FORBIDDEN.		REV. LTR. A3868 A	

NOTES

A3868A