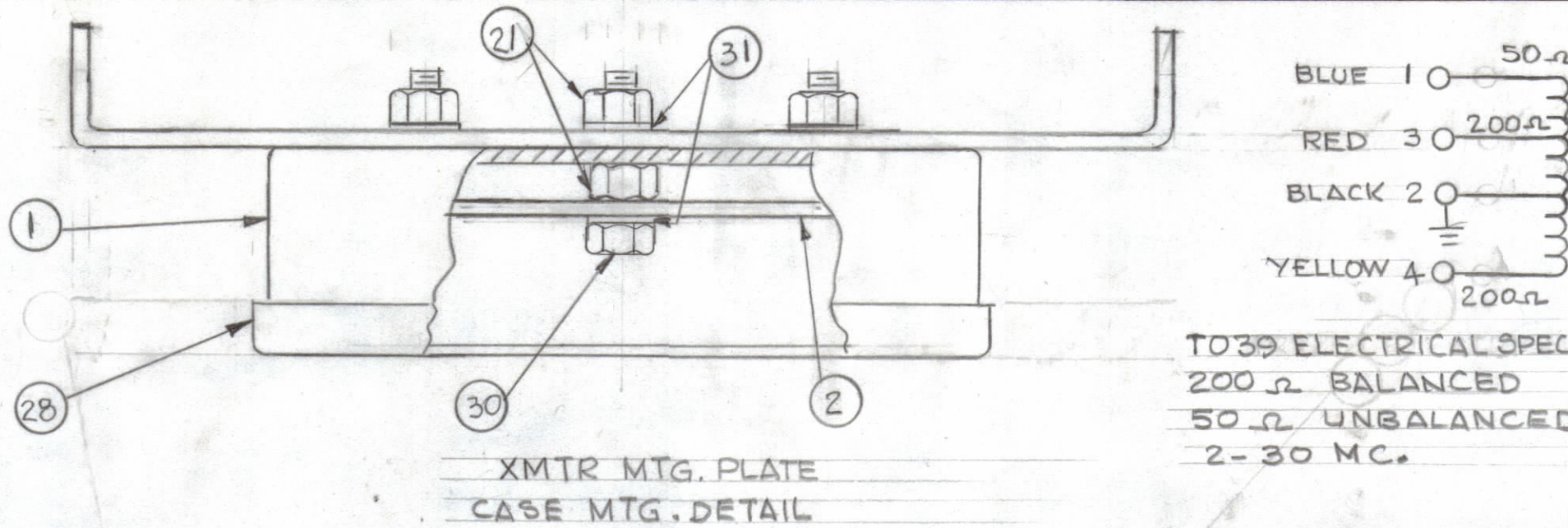
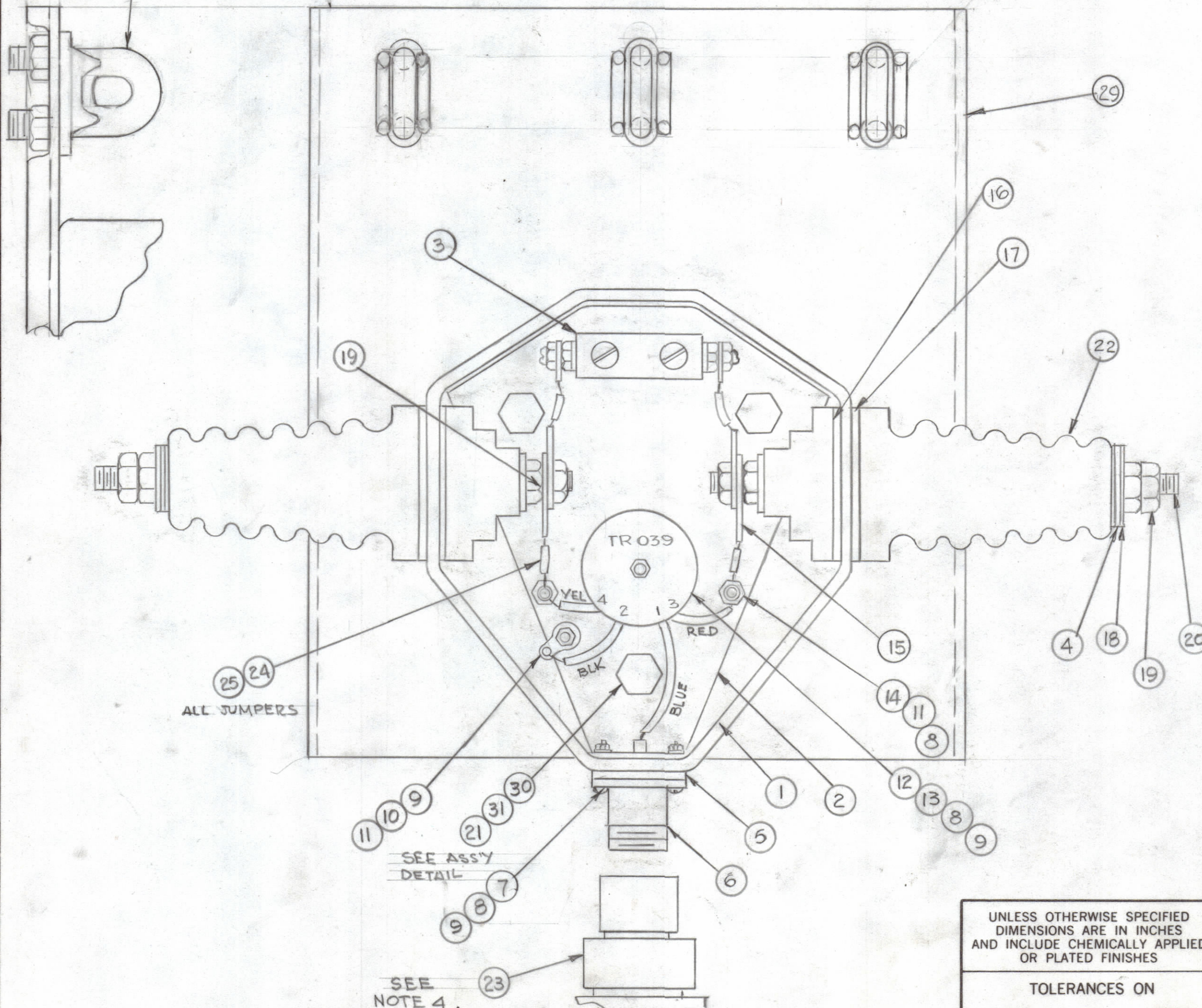


REVISIONS							
ZONE	LTR	DESCRIPTION	DATE	E.M.N.NO	DRAFT	CHKD	APPD
	B	SHEET 2 ADD. SHEET 1 OBSOLETE	6-21-90			GDL	



TO39 ELECTRICAL SPECIFICATIONS  
 200 Ω BALANCED  
 50 Ω UNBALANCED  
 2-30 MC.



QTY. REQ.	ITEM	PART NO.	DESCRIPTION	SYMBOL
3	32	CU 179	WIRE ROPE CLAMPS	
6	31	LWS25MRN	LOCK WASHER	
3	30	SCHW2520BN16	SCREW, MACHINE, SPLIT	
1	29	MS 7234	PLATE MTG. CASE	
1	28	PM 231	COVER	
X	27	BS 100	SOLDER, TIN ALLOY	
X	26	GL106	COMPOUND, POTTING	
X	25	WL 100-3	WIRE, BUSS BAR	
X	24	PX 104-1-066	INSULATION, SLEEVING	
1	23	PL206	ADAPTER (LOOSE ITEM)	
2	22	NS 107	INSULATOR, FEED-THRU	
6	21	NTH 2520BN14	NUT, HEX	
2	20	P/O NS 107	INSULATOR STUD	
8	19	P/O NS 107	NUT, HEX	
4	18	P/O NS 107	WASHER, FLAT	
2	17	GA 115	GASKET, NEOPRENE	
2	16	P/O NS 107	GASKET, CORK	
4	15	TE 132	TERMINAL, LUG	
2	14	TE 102-2	TERMINAL, TURRET	
1	13	SCBP0440BN12	SCREW, MACHINE	
1	12	TR039	TRANSFORMER	
3	11	SCBP0440BN4	SCREW, MACHINE	
1	10	TE 104-1	TERMINAL LOCKING	
6	9	NTH0440BN8	NUT, HEX	
7	8	LWEO4MRN	WASHER, LOCK, EXTERNAL	
4	7	SCBP0440BN0	SCREW, MACHINE	
1	6	UG 58*/U	RECEPTACLE	
1	5	GA149-5	GASKET	
2	4	GA137-1	GASKET, NEOPRENE	
1	3	A883	SPARK ROD SUB ASSY	
1	2	MS 791	PLATE, TRANSFORMER MTG	
1	1	PM 390	CASE	

SEE ASSY DETAIL

SEE NOTE 4

UNLESS OTHERWISE SPECIFIED DIMENSIONS ARE IN INCHES AND INCLUDE CHEMICALLY APPLIED OR PLATED FINISHES

TOLERANCES ON

DECIMALS	FRACTIONS
.X ± .05	± 1/64
.XX ± .01	ANGLES
.XXX ± .005	± 0°-30'

QTY / UNIT	MODEL USED ON	ASSY NO.
APPLICATION		
CODE		

NOTICE TO PERSONS RECEIVING THIS DRAWING

THE TECHNICAL MATERIEL CORPORATION claims proprietary right in the material disclosed hereon. This drawing is issued in confidence for engineering information only and may not be reproduced or used to manufacture anything shown hereon without permission from THE TECHNICAL MATERIEL CORPORATION to the user. This drawing is loaned for mutual assistance and is subject to recall at any time.

QTY. REQ.	ITEM	PART NO.	DESCRIPTION	SYMBOL
LIST OF MATERIAL				
FINAL APPROVAL		DATE		
MECH. DES.		DATE		
ELECT. DES.		DATE		
CHECKED		DATE		
DRAWN		DATE		
G.D.L.		6-21-90		
THE TECHNICAL MATERIEL CORP. MAMARONECK, NEW YORK				
FINAL ASSEMBLY DAC-13				
SIZE	CODE IDENT.NO.	DWG NO.	ISSUE	
C	82679	A 3674-2		
SCALE				SHEET 2 OF 2