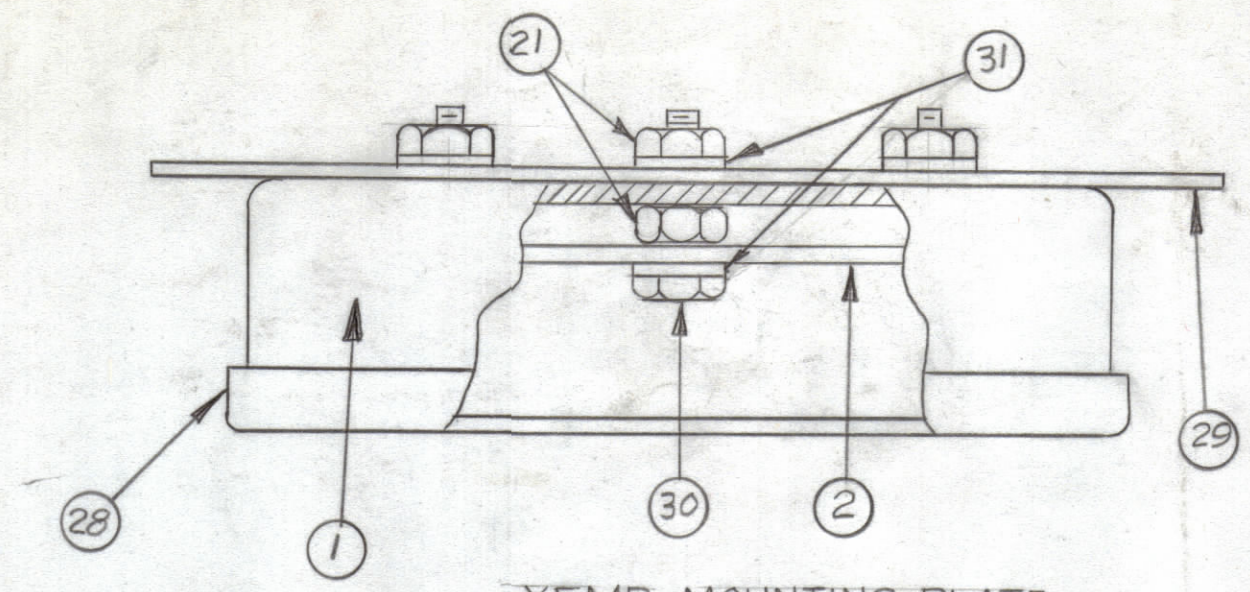
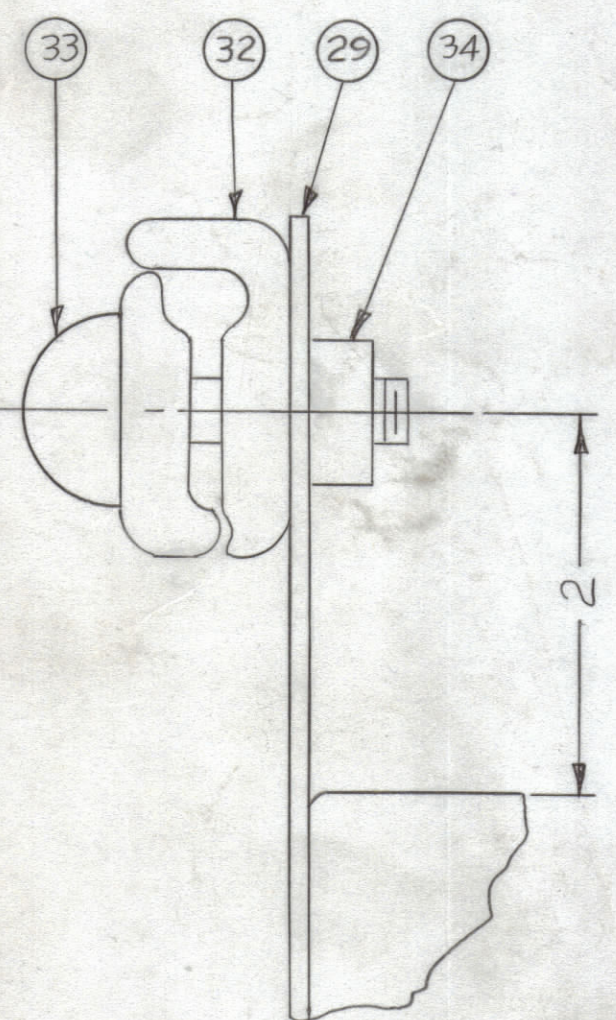


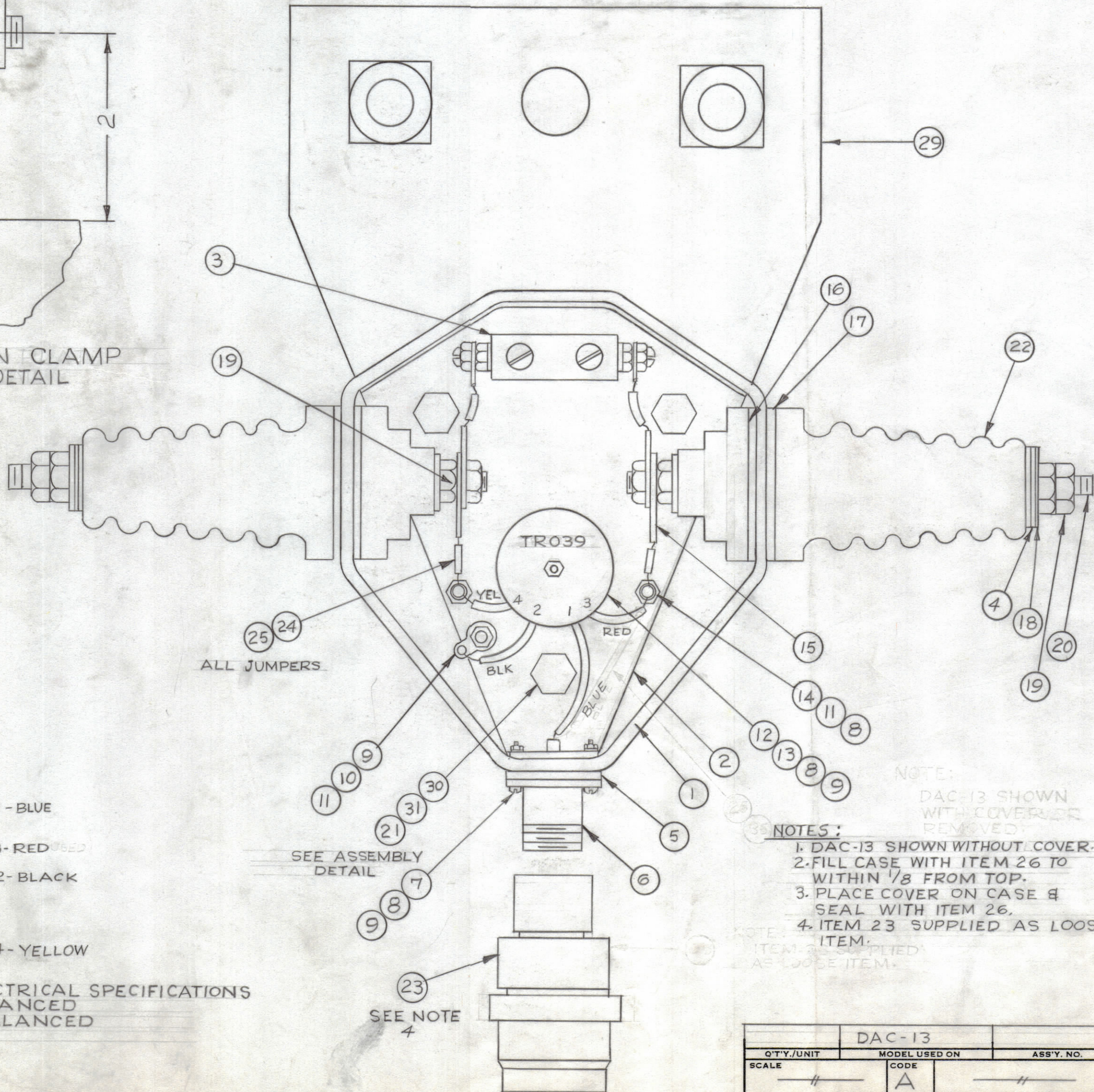
NOTE:
 1-FILL CASE WITH ITEM 26 TO WITHIN 1/8 FROM TOP.
 2-PLACE COVER ON CASE AND SEAL WITH ITEM 26.



XFMR MOUNTING PLATE
 CASE MOUNTING DETAIL



SUSPENSION CLAMP
 MOUNTING DETAIL



TR039 ELECTRICAL SPECIFICATIONS
 200Ω BALANCED
 50Ω UNBALANCED
 2-30 MC.

NOTES:
 1. DAC-13 SHOWN WITHOUT COVER.
 2. FILL CASE WITH ITEM 26 TO WITHIN 1/8 FROM TOP.
 3. PLACE COVER ON CASE & SEAL WITH ITEM 26.
 4. ITEM 23 SUPPLIED AS LOOSE ITEM.

SEE ASSEMBLY DETAIL

SEE NOTE 4

NOTES

DAC-13	
Q'TY./UNIT	MODEL USED ON
SCALE	CODE

THE CONTENTS OF THIS DRAWING ARE THE EXCLUSIVE PROPERTY OF THE TECHNICAL MATERIEL CORP. ITS UNAUTHORIZED USE OR REPRODUCTION IN WHOLE OR IN PART IS STRICTLY FORBIDDEN.

REVISIONS						
ZONE	SYM	DESCRIPTION	DATE	E.M.N. NO.	DRAFT	CHKD
4	X	EXPERIMENTAL RELEASE	6/10/64	X	A.M.	
4	Ø	ORIGINAL RELEASE FOR PRODUCTION	6/15/64	Ø	A.M.	
4	A	IT. 4 WAS RY113-1 IT. 5 WAS GA106 IT. 32 QTY WAS 2	7/2/65	15409	ANV.	
4	B	NOTE & SHEET 2 ADDED	6-20/90		GBL	

NOTE:
 SHEET 1 OBSOLETE USE SHEET 2

REQ'D.	ITEM	PART NUMBER	DESCRIPTION	SYMBOL
2	34	SUPPLIED W/CLAMP	NUT, SQUARE	
2	33	SUPPLIED W/CLAMP	BOLT	
1	32	CUI24	CLAMP, SUSPENSION CABLE	
6	31	LWS25MRN	LOCKWASHER, SPLIT	
3	30	5CHH2520BN16	SCREW, MACHINE	
1	29	MS790	PLATE, CASE MOUNTING	
1	28	PM231	COVER	
X	27	BS100	SOLDER, TIN ALLOY	
X	26	GL106	COMPOUND, POTTING	
X	25	WL100-3	WIRE, BUSS BAR	
X	24	PX104-1-066	INSULATION, SLEEVING	
1	23	PL206	ADAPTER (LOOSE ITEM)	
2	22	NS107	INSULATOR, FEED-THRU	
6	21	NTH2520BN14	NUT, HEX	
2	20	P/O NS107	INSULATOR STUD	
8	19	P/O NS107	NUT, HEX	
4	18	P/O NS107	WASHER, FLAT	
2	17	GA115	GASKET, NEOPRENE	
2	16	P/O NS107	GASKET, CORK	
4	15	TE132	TERMINAL, LUG	
2	14	TE102-2	TERMINAL, TURRET	
1	13	SCBP0440BN12	SCREW, MACHINE	
1	12	TR039	TRANSFORMER	
3	11	SCBP0440BN4	SCREW, MACHINE	
1	10	TE104-1	TERMINAL LOCKING	
6	9	NTH0440BN8	NUT, HEX	
7	8	LWE04MRN	WASHER, LOCK, EXTERNAL	
4	7	SCBP0440BN8	SCREW, MACHINE	
1	6	UG58*/U	RECEPTACLE	
1	5	GA149-5	GASKET	
2	4	GA137-1	GASKET, NEOPRENE	
1	3	A883	SPARK ROD SUB-ASS'Y	
1	2	MS791	PLATE, TRANSFORMER MTG	
1	1	PM390	CASE	

LIST OF MATERIAL			
MATERIAL	FINISH	THE TECHNICAL MATERIEL CORP. MAMARONECK, NEW YORK	
---	---	TITLE FINAL ASSEMBLY DAC-13	
UNLESS OTHERWISE SPECIFIED DIMENSIONS ARE IN INCHES AND INCLUDE CHEMICALLY APPLIED OR PLATED FINISHES		DRAWN A. MARINO	DATE 6/10/64
DECIMALS .X ± .05 .XX ± .01 .XXX ± .005		CHECKED @	DATE 6-15-64
FRACTIONS ± 1/64 ANGLES ± 0° 30'		ELECT. DES. ---	DATE ---
TOLERANCES		MECH. DES. ---	DATE 6/15/64
		SHEET 1 OF 2	

A3674 B

A3674-B
 SHEET 1 OF 2
 REV. LTR.