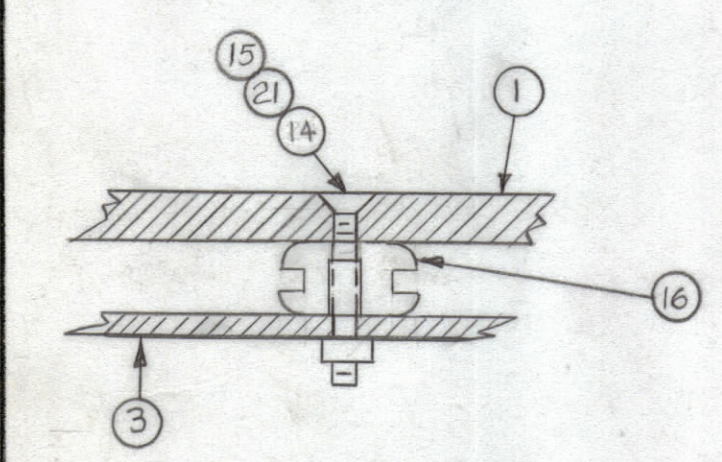
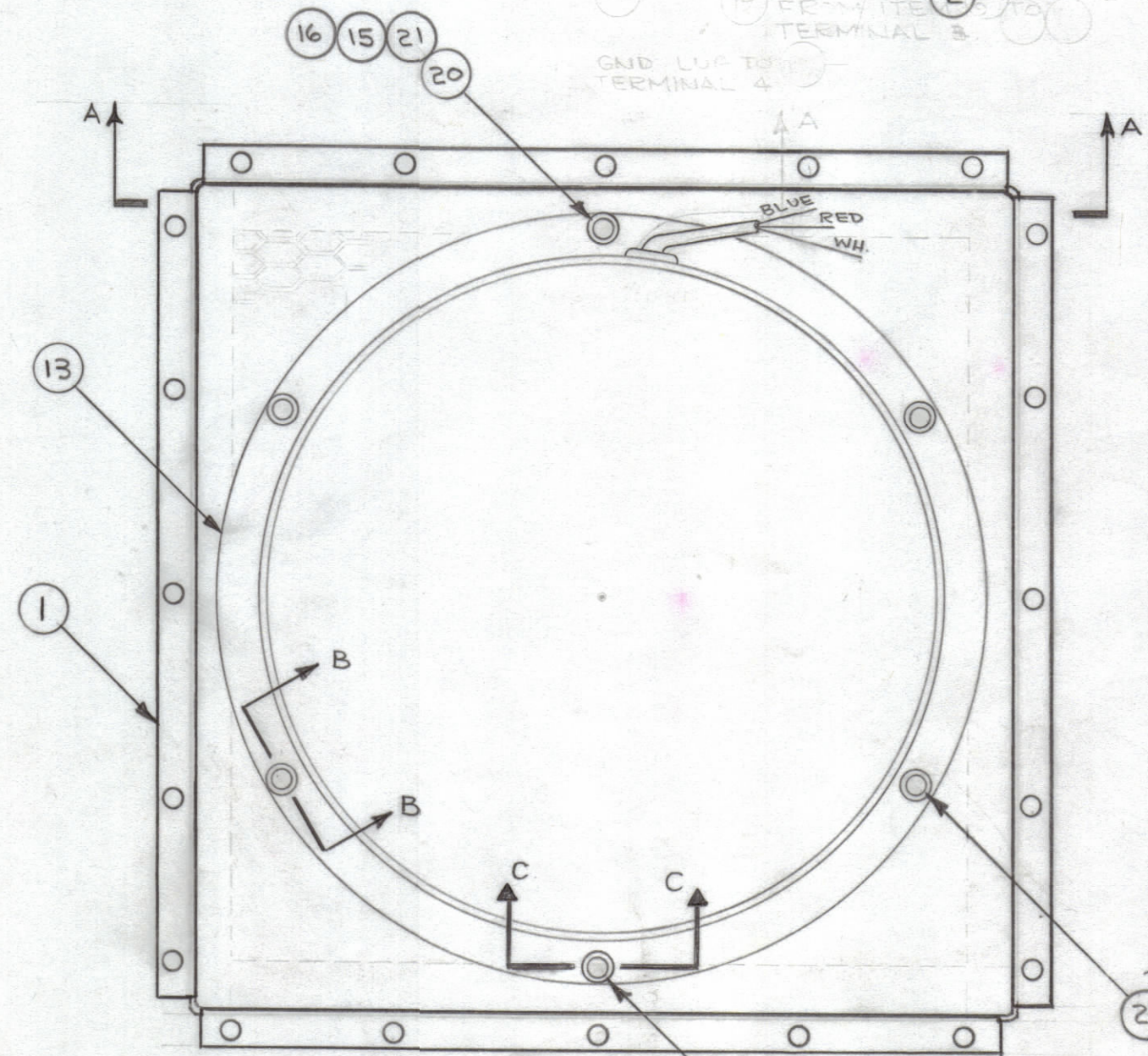
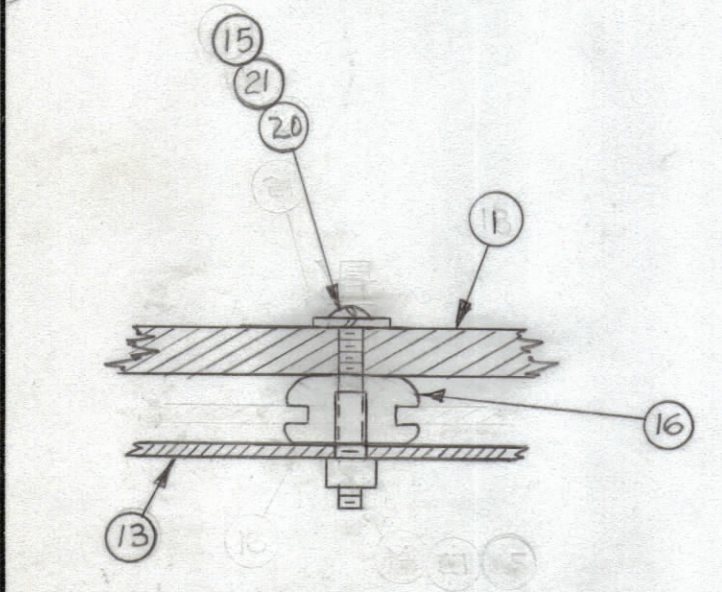
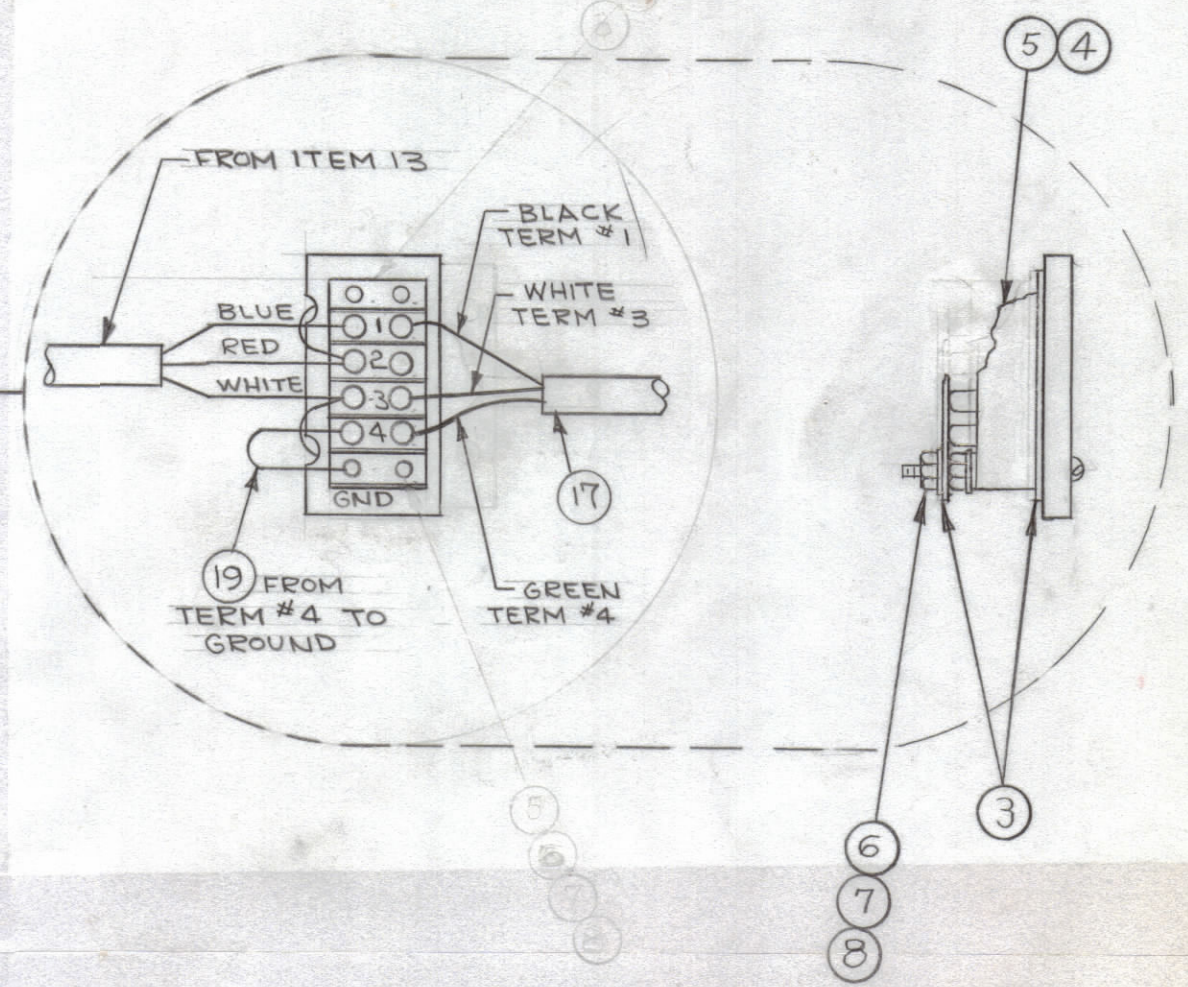
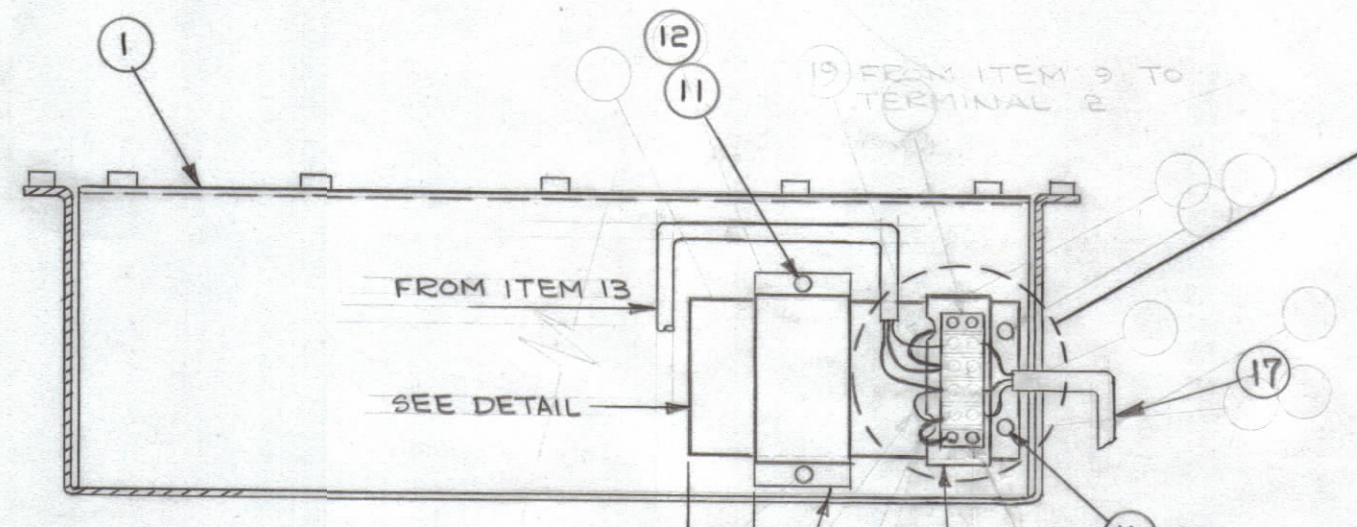
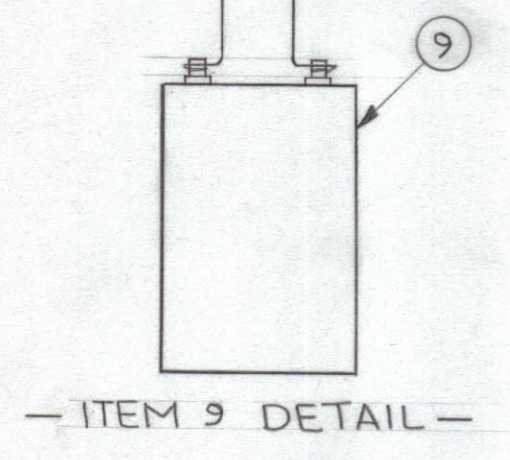


REVISIONS						
ZONE	SYM	DESCRIPTION	DATE	E.M.N. NO.	DRAFT	CHKD
#	X	EXPER. RELEASE	6-10-64	1		
#	XI	1 1/2 DIM. ADDED, SECTION B-B PICTORIAL CHANGED, SECTION C-C ADDED, ITEMS: 5, 7, 8, 8, 21 QUANTITY CHANGED, ITEMS: 2, 7, 12, 21 DESCRIPTIONS UPDATED.	6/16/64	XI	A.M.	
#	Ø	ORIGINAL RELEASE FOR PRODUCTION	6/16/64	Ø	A.M.	
-	A	IT. 19 WAS CA-409-22-200	7-30-64	11980	SRC	

TO ITEM 4
TERMINAL 2

TO ITEM 4
TERMINAL 3



REQ'D.	ITEM	PART NUMBER	DESCRIPTION	SYMBOL
4	21	LWS08MRN	WASHER, LOCK, SPLIT	
4	20	SCBP0832BN12	SCREW, MACHINE	
1	19	CA409-32-2.00	CABLE ASSEMBLY, JUMPER	
2	18	CA409-22-3.00	CABLE ASSEMBLY, JUMPER	
1	17	CA575-6	CABLE AC, COILED	
6	16	EY102-20	GROMMET, RUBBER	
6	15	TE 117-6	SPACER	
2	14	SCFP0832BN12	SCREW, MACHINE	
1	13	A 3620	FAN/TERMINAL ASSEMBLY	
4	12	LWE08MRN	WASHER, LOCK, EXTERNAL	
4	11	SCBP0832BN7	SCREW, MACHINE	
1	10	MS3846	BRACKET, MOUNTING, CAPACITOR	
1	9	CP114-1	CAPACITOR, FIXED PAPER, DIELECTRIC	
8	8	NTH0440BN8	NUT, HEX	
8	7	LWE04MRN	WASHER, LOCK, EXTERNAL	
4	6	SCBP0440BN10	SCREW, MACHINE	
2	5	MS154-1	STRADDLE PLATE	
1	4	TM102-4	TERMINAL STRIP	
2	3	PX336-4	INSULATOR, TERMINAL STRIP	
1	2	MS3845	CHASSIS, BLOWER CONNECTOR	
1	1	MS3634	CHASSIS, BLOWER	

STURMER LIST OF MATERIAL

MATERIAL: /

FINISH: /

UNLESS OTHERWISE SPECIFIED DIMENSIONS ARE IN INCHES AND INCLUDE CHEMICALLY APPLIED OR PLATED FINISHES

THE TECHNICAL MATERIEL CORP.
MAMARONECK, NEW YORK

TITLE: BLOWER ASSEMBLY

DECIMALS: X ± .05, XX ± .01, XXX ± .005

FRACTIONS: ± 1/64, ANGLES: ± 0° 30'

TOLERANCES: ± 1/64, ± 0° 30'

DRAWN: [Signature]

CHECKED: [Signature]

ELECT. DES.:

MECH. DES.:

DATE: 6-10-64

DATE: 6-16-64

DATE: 6-16-64

DATE: 6-16-64

FINAL APPROVAL: [Signature]

DATE: 6-16-64

DATE: 6-16-64

DATE: 6-16-64

SHEET: A3666

REV. LTR.:

QTY./UNIT	MODEL USED ON	ASSY. NO.
1	RAK-31C	A-3206
1	RAK-31A	A-3206

NOTES

THE CONTENTS OF THIS DRAWING ARE THE EXCLUSIVE PROPERTY OF THE TECHNICAL MATERIEL CORP. ITS UNAUTHORIZED USE OR REPRODUCTION IN WHOLE OR IN PART IS STRICTLY FORBIDDEN.