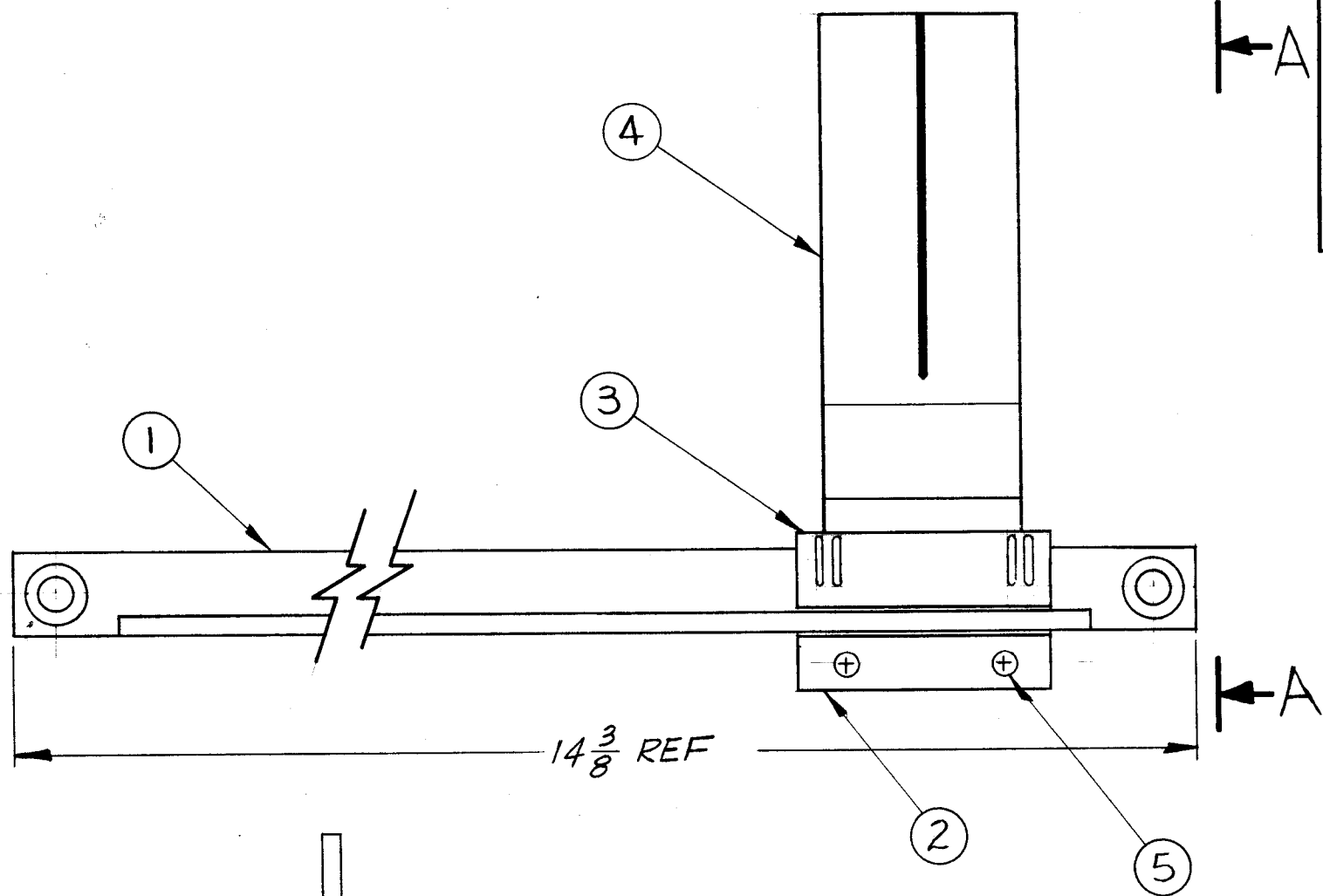


A 3597 Ø

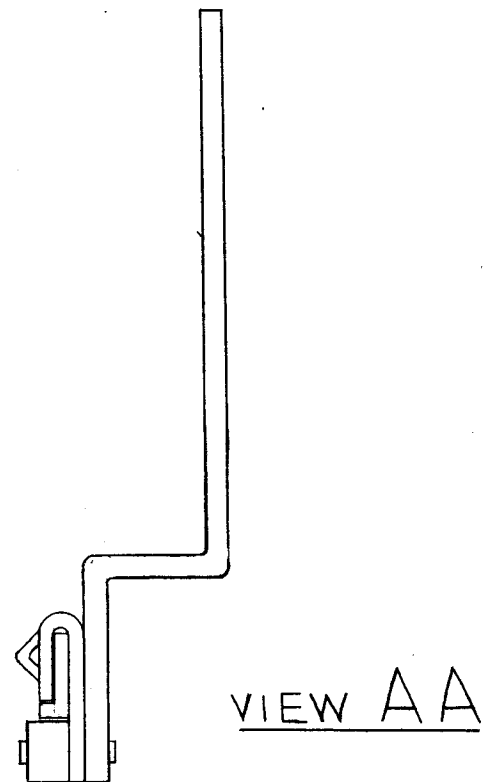
REVISIONS

| SYM | DESCRIPTION | DATE | E.M.N. NO. | DRAFT | CHKD | APPD |
|----------------|---------------------------------|---------|------------|-------|------|------|
| X | EXPERIMENTAL RELEASE | 4-8-64 | | | | |
| X _i | ITEM 5 WAS EY-106-6, EYELET | 9-10-64 | | | | |
| Ø | ORIGINAL RELEASE FOR PRODUCTION | 9-14-64 | | | | |



~ ASSEMBLY PROCEDURE ~

- 1.- ASSEMBLE ITEMS 2, 3 & 4 USING CORRECT HARDWARE AS SHOWN, ITEM 5.
- 2.- THEN PLACE IN POSITION ON ITEM 1 AS SHOWN (MUST BE A SLIDE FIT)



NOTES

| | | |
|------------|---------------|------------|
| 1 | HFRR-2 | A3625 |
| 1 | HFRR-2 | A3624 |
| Q'TY./UNIT | MODEL USED ON | ASS'Y. NO. |
| NONE | A | |

THE CONTENTS OF THIS DRAWING ARE THE EXCLUSIVE PROPERTY OF THE TECHNICAL MATERIEL CORP. ITS UNAUTHORIZED USE OR REPRODUCTION IN WHOLE OR IN PART IS STRICTLY FORBIDDEN.

| REQ'D. | ITEM | PART NUMBER | DESCRIPTION | SYMBOL |
|--------|------|-------------|--------------------------|--------|
| 2 | 5 | SCFP0256BN3 | SCREW MACHINE | |
| 1 | 4 | PX-844 | INDICATOR, FREQ. CHANNEL | |
| 1 | 3 | PM-1052 | SLIDE, INDICATOR | |
| 1 | 2 | PM-1053 | BRACKET, INDICATOR SLIDE | |
| 1 | 1 | PM-1054 | GUIDE, INDICATOR SLIDE | |

T. KRUY E3112B LIST OF MATERIAL

| | | | |
|-------------------------------------------------------------------------------------------------------|------------------------------------------------------|------|----------------|
| MATERIAL | THE TECHNICAL MATERIEL CORP. MAMARONECK, NEW YORK | | |
| FINISH | TITLE SLIDE, INDICATOR ASSY | | |
| UNLESS OTHERWISE SPECIFIED DIMENSIONS ARE IN INCHES AND INCLUDE CHEMICALLY APPLIED OR PLATED FINISHES | DRAWN | DATE | FINAL APPROVAL |
| | CHECKED | DATE | |
| DECIMALS .X ± .05 .XX ± .01 .XXX ± .005 | ELECT. DES. | DATE | A 3597 Ø |
| | MECH. DES. | DATE | |
| TOLERANCES ± 1/64 ANGLES ± 0° 30' | SHEET | | REV. LTR. |