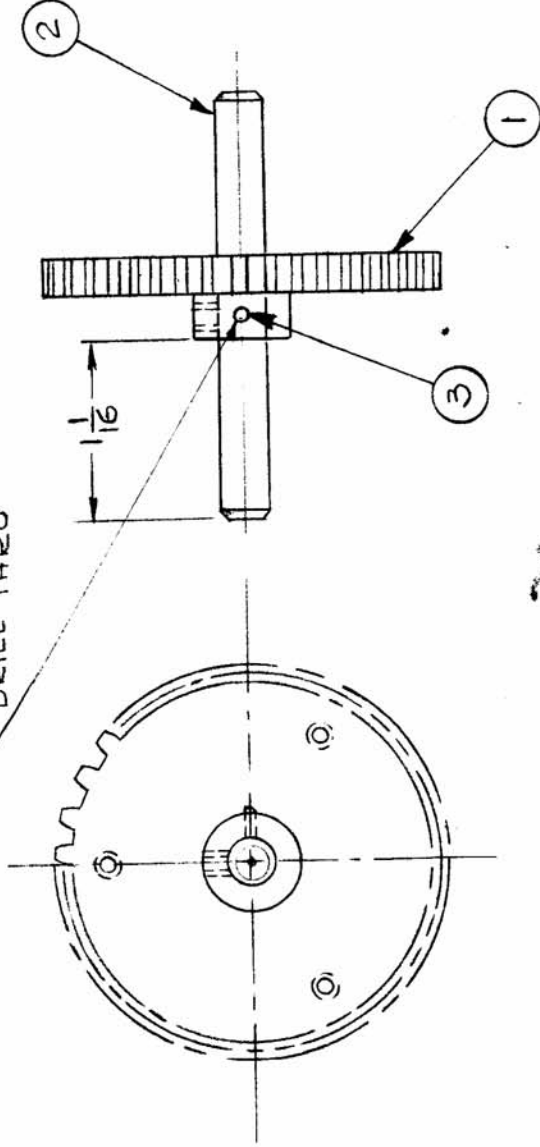


A 3591

REQ. PER UNIT	MODEL	USED ON ASSY. NO.	DATE
1	CHG-1		3-31-64
1	CHG-2		
1	CHG-2A		

.094-.097 DIA. DRILL THRU



REQ. ITEM	PART NO.	DESCRIPTION	SYMBOL
1	3	PN52-094-Ø PIN, ROLL	
1	2	PM691R2.250B SHAFT	
1	1	GR-159 GEAR, DETENT	

REQ. ITEM	PART NO.	DESCRIPTION	SYMBOL
		THE TECHNICAL MATERIEL CORP. MAMARONECK, NEW YORK	
		DETENT GEAR ASS'Y	
		G.D.L	
		CHECKED	
		DRAWN	
		ELEC. DES. APP.	
		MECH. DES. APP.	
		FINAL APPROVAL	
		A 3591	

UNLESS OTHERWISE SPECIFIED DIMENSIONS ARE IN INCHES AND INCLUDE CHEMICALLY APPLIED OR PLATED FINISHES

DECIMALS
 .X ± .05
 .XX ± .01
 .XXX ± .005

FRACTIONS
 ± 1/64
 ANGLES
 ± 0° 30'

TOLERANCES

DATE 11-16-65
 CH. NO. XI
 DRAFTS G.D.L
 CHECKER
 ENG. APP.
 SCALE 1:1
 CODE