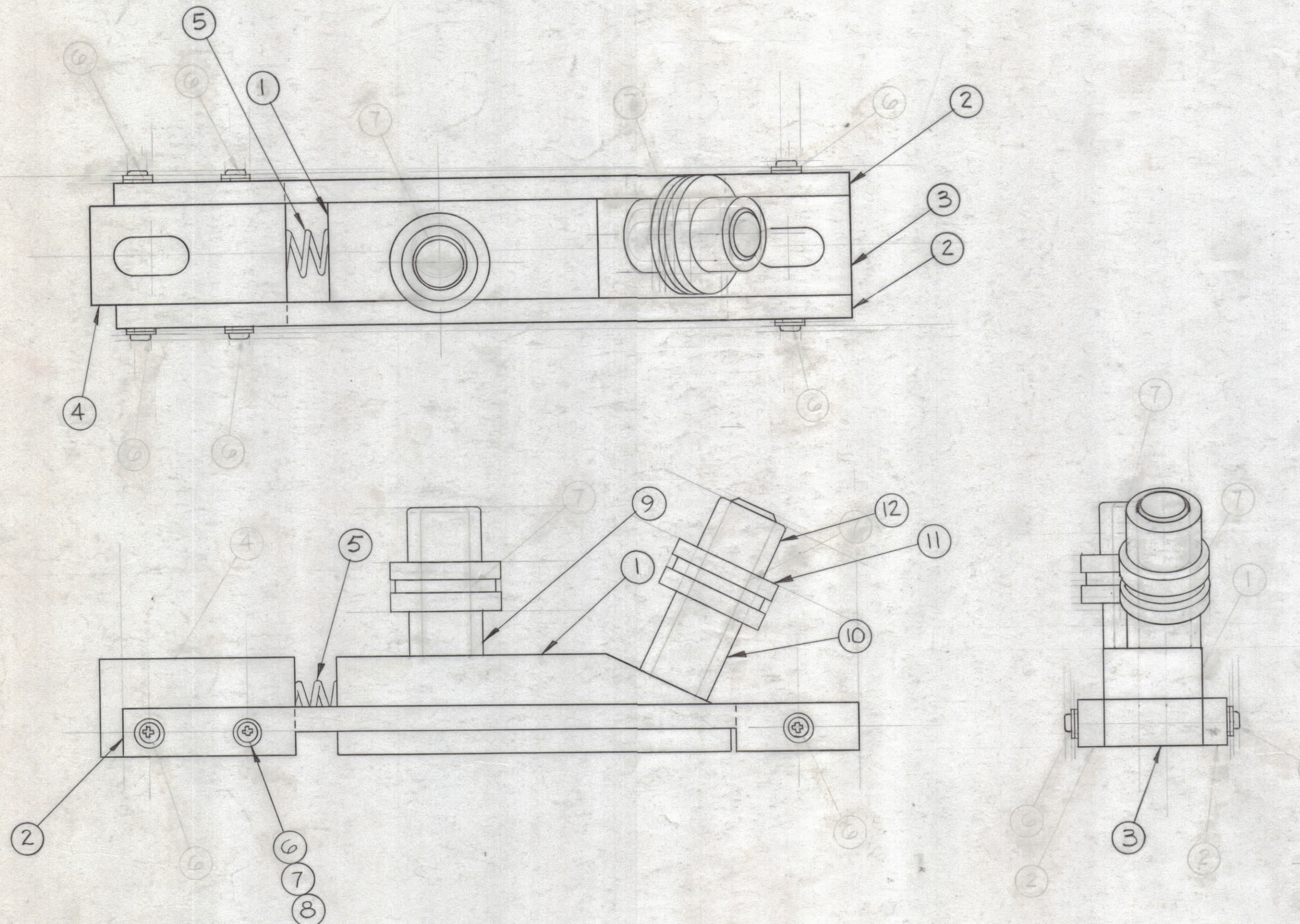


REVISIONS					
ZONE	SYM	DESCRIPTION	DATE	E.M.N. NO.	APPD
+	X	EXPERIMENTAL RELEASE	3/1/64	—	—
	Ø	ORIGINAL RELEASE FOR PRODUCTION	9-14-64	Ø	PL



NOTE:
SHAFTS (ITEM #7) TO BE PRESSED FIT INTO SLIDE AT ASSY

REQ'D.	ITEM	PART NUMBER	DESCRIPTION	SYMBOL
2	12	PM-786-3	COLLAR, SHAFT	
2	11	PM-1048	SPROCKET, WHEEL, .578D	
1	10	TE-117-52	SPACER, SLEEVE	
1	9	TE-117-51	SPACER, SLEEVE	
6	8	LW102MSS	WASHER, LOCK, INTERNAL	
6	7	FW02HSS	WASHER, FLAT	
6	6	SCBP0256-554	SCREW, MACHINE	
1	5	SP-147	SPRING, COIL	
1	4	PM-1041	SPACER, GUIDE, TOP	
1	3	PM-1042	SPACER, GUIDE, BOTTOM	
2	2	PM-1040	GUIDE, CHAIN, DRIVE	
1	1	PM-1039	SLIDE, CHAIN, DRIVE	

LIST OF MATERIAL					
MATERIAL		THE TECHNICAL MATERIEL CORP. MAMARONECK, NEW YORK			
FINISH		TITLE SLIDE ASSY, CHAIN			
UNLESS OTHERWISE SPECIFIED DIMENSIONS ARE IN INCHES AND INCLUDE CHEMICALLY APPLIED OR PLATED FINISHES		DRAWN <i>A. Davis</i>	DATE 3-7-64	FINAL APPROVAL <i>[Signature]</i>	DATE
DECIMALS .X ± .05 .XX ± .01 .XXX ± .005		CHECKED <i>[Signature]</i>	DATE 7-11-64	A 3528 Ø	
TOLERANCES		ELECT. DES.	DATE	SHEET	
FRACTIONS ± 1/64 ANGLES ± 0° 30'		MECH. DES. <i>T. Bury</i>	DATE	REV. LTR.	

1	HFR-2	AX 513-2
1	HFR-2	AX 513-1
Q'TY./UNIT	MODEL USED ON	ASS'Y. NO.
SCALE 2:1	CODE A	
THE CONTENTS OF THIS DRAWING ARE THE EXCLUSIVE PROPERTY OF THE TECHNICAL MATERIEL CORP. ITS UNAUTHORIZED USE OR REPRODUCTION IN WHOLE OR IN PART IS STRICTLY FORBIDDEN.		

NOTES

A 3528 Ø