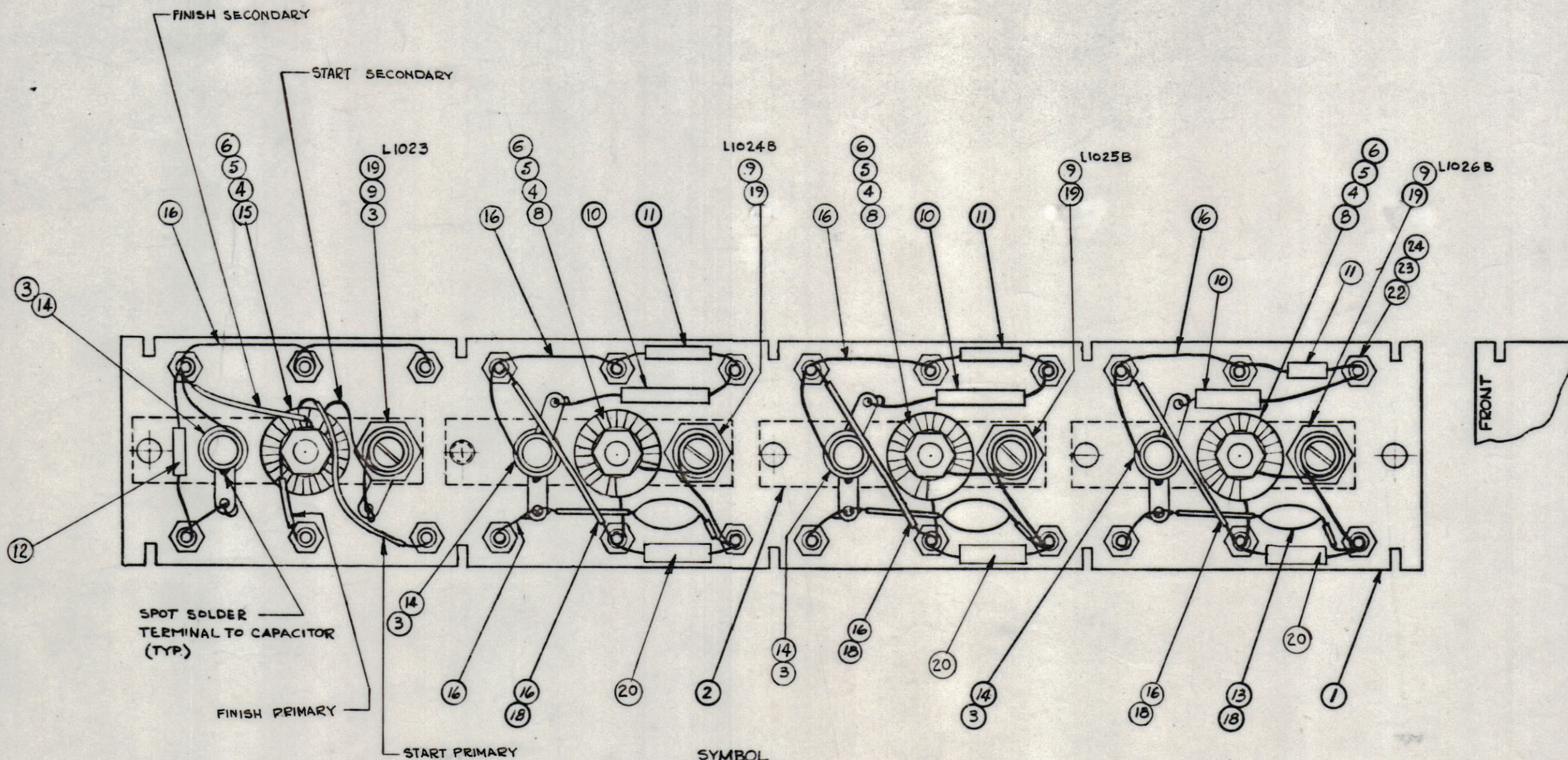


**WARNING TO PERSONS RECEIVING THIS DRAWING**

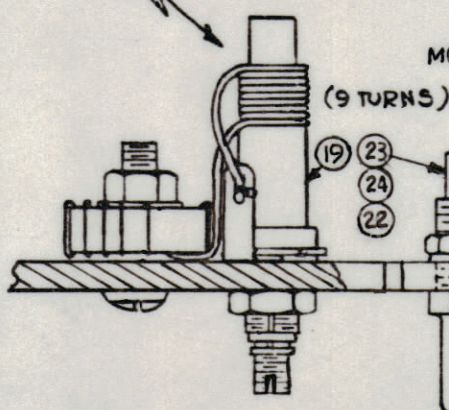
THE TECHNICAL MATERIEL CORPORATION claims proprietary right in the material disclosed hereon. This drawing is issued in confidence and containing information only and may not be reproduced or used in manufacture or any form shown hereon without permission from THE TECHNICAL MATERIEL CORPORATION. This drawing is issued for mutual assistance and is subject to recall at any time.

Property of:  
THE TECHNICAL MATERIEL CORPORATION  
MAMARONECK, NEW YORK

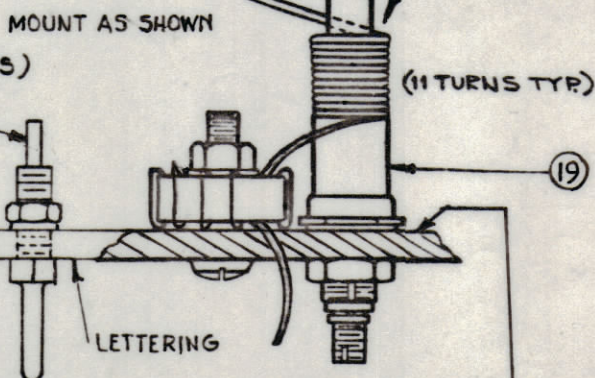


SPOT SOLDER  
TERMINAL TO CAPACITOR  
(TYP)

SYMBOL  
L1023



SYMBOL  
L1024B, L1025B, L1026B

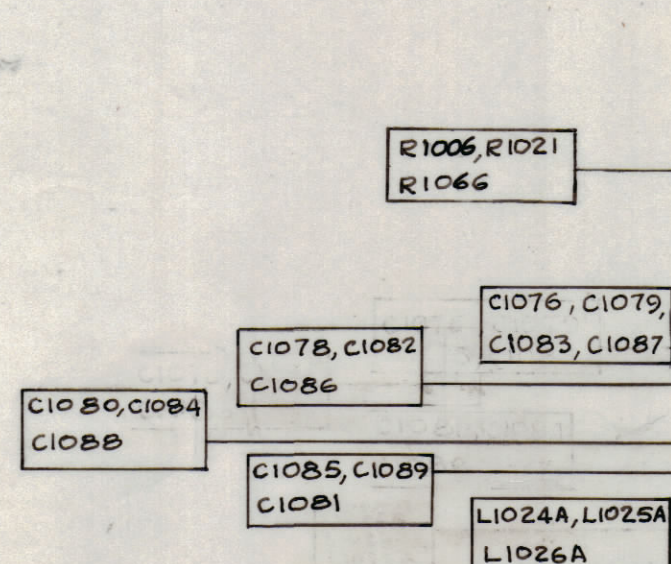


**PROCEDURE FOR WINDING TRIM COILS**

1. PUSH ITEM 19 PX-370-2-B SLEEVING ON COIL FORM AS SHOWN
2. WIND LONG LEAD FROM TOROID COUNTER CLOCKWISE (NO OF TURNS AS SHOWN) TIGHTLY AGAINST SLEEVING AND COIL FORM.
3. STRIP ENAMEL FROM END NEAR TERMINAL, WRAP & SOLDER SECURELY TO TERMINAL SHOWN
4. COAT WITH GL 102 Q-MAX TO HOLD TURNS IN PLACE.

NOTE 1:  
COMPONENTS TO BE ASSEMBLED ON REAR OF BOARD, OPPOSITE SIDE OF LETTERING (SEE LD 1477)

NOTE 2:  
USE LOCKWASHER & NUT AS SUPPLIED BY VENDOR WITH CF 134-5-E



24	24	NTH0440BNG	NUT, HEX	
24	23	LW504MEN	WASHER, LOCK, SPRING TYPE	
24	22	TE 191-1	TERMINAL	
X	21	GL 102	Q - MAX	
3	20	RC206F223J	RESISTOR 22K	
4	19	PX 370-2-B	INSULATION, SLEEVING, 5/16 LG.	
X	18	PX 104-1-034	INSULATION SLEEVING, #20	
X	17	BS 100	SOLDER, SOFT	
X	16	WL 100-6	WIRE, BUSS, #20 AWG	
1	15	TZ 177	TRANSFORMER	T1004
4	14	CV 108-3	CAPACITOR, VARIABLE 0.9-10	
3	13	CC 100-24	CAPACITOR, .02 MF	
1	12	CM15C560G03	CAPACITOR, 56 MMF	C1077
3	11	CM15C820G	CAPACITOR, 82 MMF	
3	10	CM20F821G03	CAPACITOR, 820 MMF	
4	9	CF 134-5-E	COIL FORM	
3	8	A 3524	COIL, RF, ASSY	
7		DELETED		
4	6	FW 101-1	FLATWASHER, NYLON	
4	5	NT 137-0632	NUT, NYLON	
4	4	SC 143-0632B-10	SCREW, NYLON	
B	3	TE 104-4	LUG, GROUND	
4	2	MS 2897	STRAP, GROUND	
1	1	LD 1477/PX 649	TERMINAL BOARD RF (LETTERED)	

C	ITEM 7 (LWE 10 MRN) DEL, NOTE 2	8-21-67	18432	H.G.	OP
B	B/U BROUGHT UPDATED	3-2-67	17853	WHD	OP
A	IT. 19 P/N WAS CV110-3	1-22-65	13337	22	OP
Ø	ORIGINAL RELEASE FOR PRODUCTION	8-13-64		Del	
X	SYMBOL R1066 WAS R1055	3-29-64		SDL	
X	EXPERIMENTAL RELEASE	3-28-64		Del	

1	HFR-2			3-10-64
1	HFR-1A			3-10-64

THE TECHNICAL MATERIEL CORP. MAMARONECK, NEW YORK			
AX 492 ASSY RF TERMINAL BOARD BAND #3			
G.D.L.	DRN	CHKD	FINAL APPROVAL
			A 3526

A 3526