

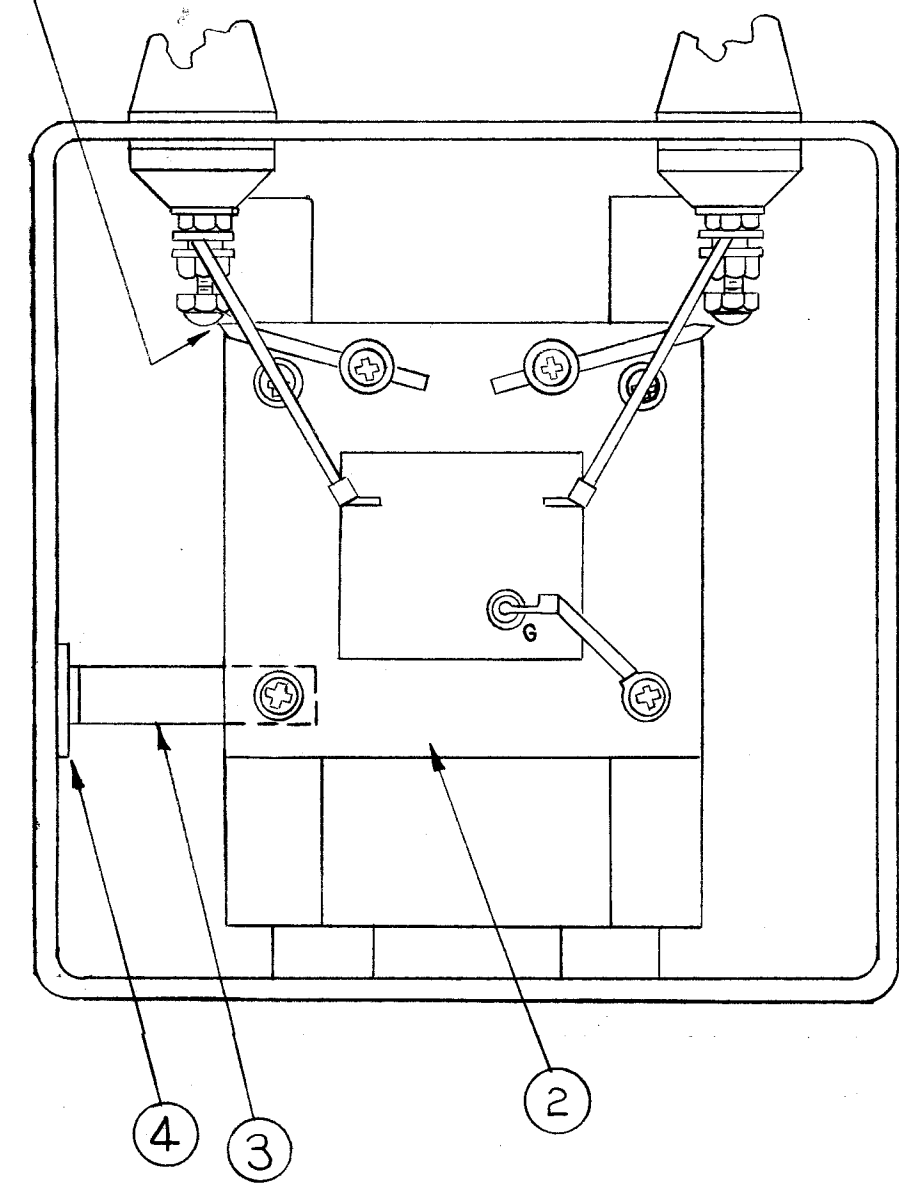
COUPLER MODEL	TMC ASSY NO.	ITEM 2	ITEM 6
RAC-7A	A-3490-1	AX-382-13	LD-307
RAC-44	A-3490-2	AX-382-14	LD-1464
RAC-18	A-3490-3	AX-382-15	LD-243

OBSOLETE

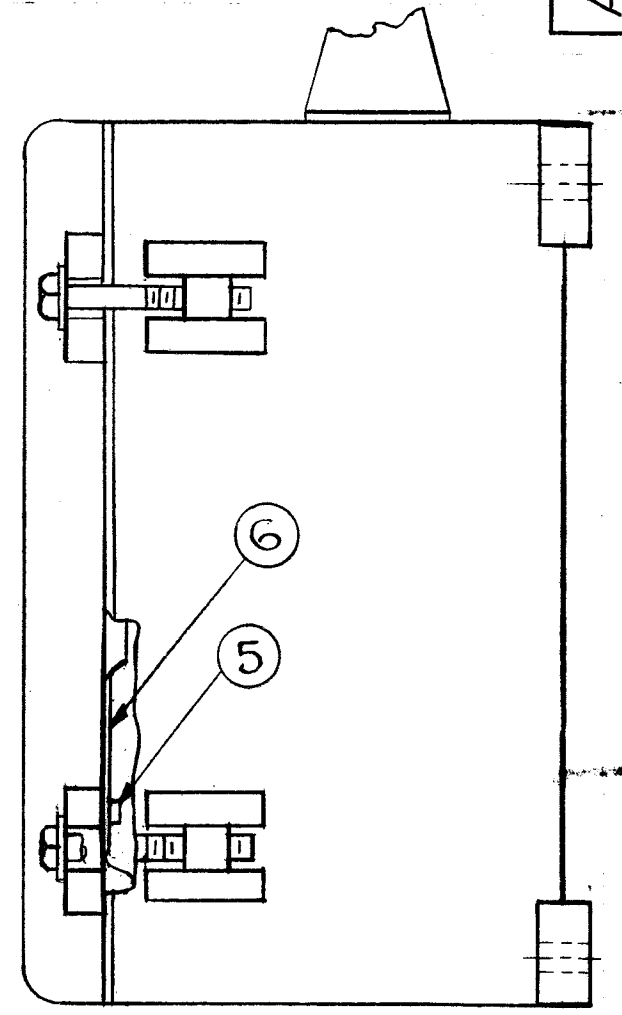
A
A-3490

REVISIONS					
SYM	DESCRIPTION	DATE	E.M.N. NO.	DRAFT	CHKD
X	EXPER. RELEASE	3/9/64	1	gf	
O	ORIGINAL RELEASE FOR PRODUCTION	3/16/64			
A	RAC-18, A3490-3, AX382-15, LD 243 ADDED ITEM 2' COL. COMPLETELY REVISED.	6/5/64	11494	A.M.	@

SET SPARK GAP TO 1/32 SPACING



~INTERIOR VIEW~
(COVER REMOVED FOR CLARITY)



~SIDE VIEW~

REQ'D.	ITEM	PART NUMBER	DESCRIPTION	SYMBOL
1	6	SEE CHART	DIAGRAM, SCHEMATIC	
4	5	SFB0256SN4	SCREW, THREAD CUTTING	
2	4	AD-101-1/6	DESSICANT	
1	3	MS-933	HOLDER, DESSICANT	
1	2	SEE CHART	TRANSFORMER & MTG PLATE SUB-ASSY.	
1	1	AX-480	CASE & COVER ASSEMBLY	

LIST OF MATERIAL

MATERIAL	THE TECHNICAL MATERIEL CORP. MAMARONECK, NEW YORK			
FINISH	TITLE FINAL ASSEMBLY ANTENNA COUPLER			
UNLESS OTHERWISE SPECIFIED DIMENSIONS ARE IN INCHES AND INCLUDE CHEMICALLY APPLIED OR PLATED FINISHES		DRAWN <i>W. J. Sencen</i>	DATE 3/9/64	FINAL APPROVAL <i>[Signature]</i>
DECIMALS .X ± .05 .XX ± .01 .XXX ± .005		CHECKED <i>[Signature]</i>	DATE 3/11/64	DATE
TOLERANCES ± 1/64 ANGLES ± 0° 30'		ELECT. DES. <i>[Signature]</i>	DATE 3/16/64	DATE
MECH. DES. <i>[Signature]</i>		A-3490		A
NOTES		SHEET		REV. LTR.

1	SEE CHART	SEE CHART
Q'TY./UNIT	MODEL USED ON	ASS'Y. NO.
SCALE	CODE A	
THE CONTENTS OF THIS DRAWING ARE THE EXCLUSIVE PROPERTY OF THE TECHNICAL MATERIEL CORP. ITS UNAUTHORIZED USE OR REPRODUCTION IN WHOLE OR IN PART IS STRICTLY FORBIDDEN.		