

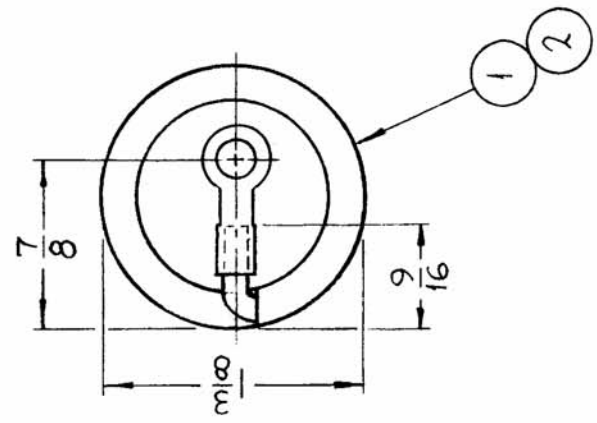
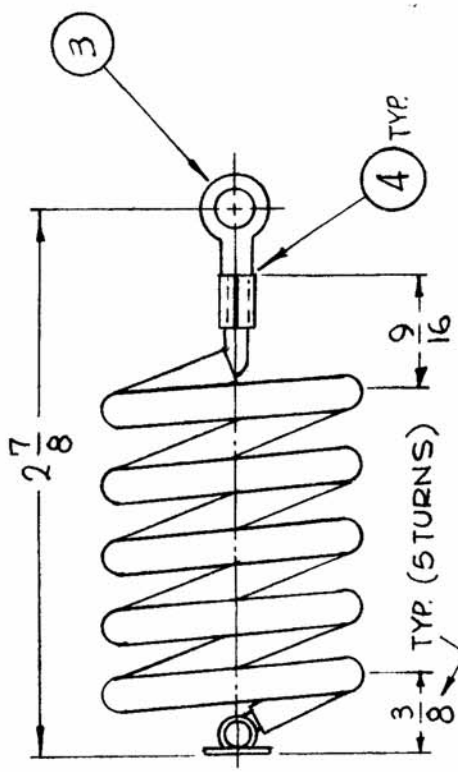
USED ON
REQ. PER UNIT
1

MODEL
GPT-200K(AT-109)

ASSY. NO.
A-2765

DATE
4-30-64

A 3466



X	4	BS-100	SOLDER, SOFT	SYMB L
2	3	TE-141-3	TERMINAL LUG	
X	2	PX-370-8-7	INSULATION SLEEVING, TEFLON	NATURAL
X	1	TU-100-2S	TUBING, COPPER	
REQ. ITEM			F. BUDETTI DESCRIPTION	
PART NO.			THE TECHNICAL MATERIEL CORP. MAMARONECK. NEW YORK	
STOCK SIZE			CL 312 ASSEMBLY	
MATERIAL			SRG	
TYPE & TEMPER			DRAWN	
HEAT TREAT. SPEC.			CHECKED	
FINISH & SPEC. NO.			MECH. DES. APP.	

SYM	DESCRIPTION	DATE	CH. NO.	DRAFTS	CHECKER	ENG. APP.
0	ORIGINAL RELEASE FOR PRODUCTION	5-28-64	0	A.M.		
UNLESS OTHERWISE SPECIFIED DIMENSIONS ARE IN INCHES AND INCLUDE CHEMICALLY APPLIED OR PLATED FINISHES						
TOLERANCES						
DECIMALS						
FRACTIONS						
ANGLES						
FINISHES						
SCALE						
CODE						
A						
A 3466						
FINAL APPROVAL						