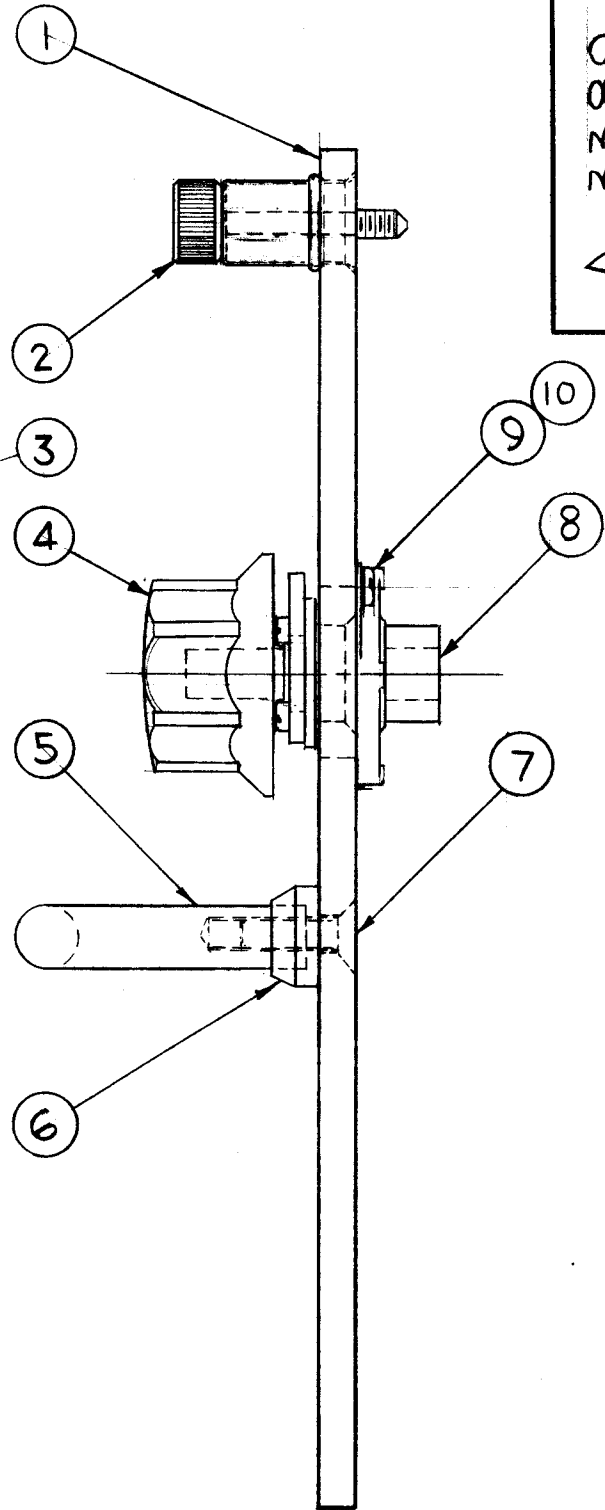
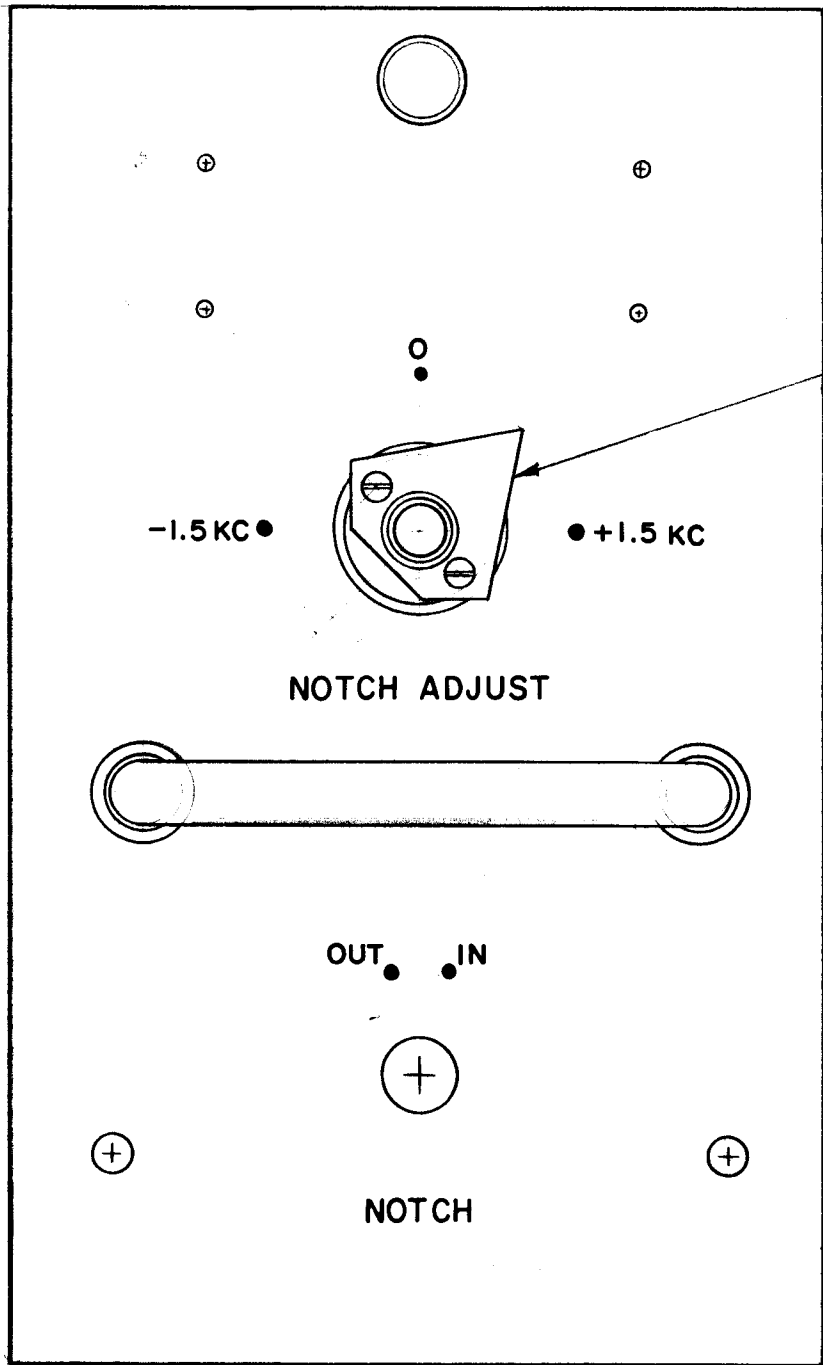


A-3389

REVISIONS

SYM	DESCRIPTION	DATE	E.M.N. NO.	DRAFT	CHKD	APPD
Ø	ORIGINAL RELEASE FOR PRODUCTION	7/10/69		W		



REQ'D.	ITEM	PART NUMBER	DESCRIPTION	SYMBOL
2	10	LWE 04 MRN	WASHER, LOCK, EXTERNAL	
2	9	SCBPO440BN3	SCREW, MACHINE	
1	8	DI-101	DRIVE, REDUCTION, BALL	
2	7	SCF1032BN8	SCREW, MACHINE	
2	6	CU-139-2B	FERRULE,	
1	5	HA-102-11BN	HANDLE	
1	4	MP-123-5 NB	KNOB	
1	3	MS-3662	POINTER, DIAL	
1	2	FS-123-1	SCREW ASSY, CAPTIVE	
1	1	LD-1402/MS-3581	PANEL, FRONT, ENGRAVED	

T. AALTONEN LIST OF MATERIAL

MATERIAL THE TECHNICAL MATERIEL CORP.
MAMARONECK, NEW YORK

FINISH TITLE
PANEL ASSY, FRONT, MODULE

UNLESS OTHERWISE SPECIFIED DIMENSIONS ARE IN INCHES AND INCLUDE CHEMICALLY APPLIED OR PLATED FINISHES		DRAWN T. RAMIREZ	DATE 2/21/64	FINAL APPROVAL SPM	DATE 7/10/69
DECIMALS .X ± .05 .XX ± .01 .XXX ± .005	TOLERANCES	FRACTIONS ± 1/64 ANGLES ± 0° 30'	ELECT. DES. DATE	A-3389	
			MECH. DES. DATE	SHEET	REV. LTR. Ø

4	MNF-1	
Q'TY/UNIT	MODEL USED ON	ASS'Y. NO.
SCALE 1:1	CODE	
THE CONTENTS OF THIS DRAWING ARE THE EXCLUSIVE PROPERTY OF THE TECHNICAL MATERIEL CORP. ITS UNAUTHORIZED USE OR REPRODUCTION IN WHOLE OR IN PART IS STRICTLY FORBIDDEN.		

NOTES