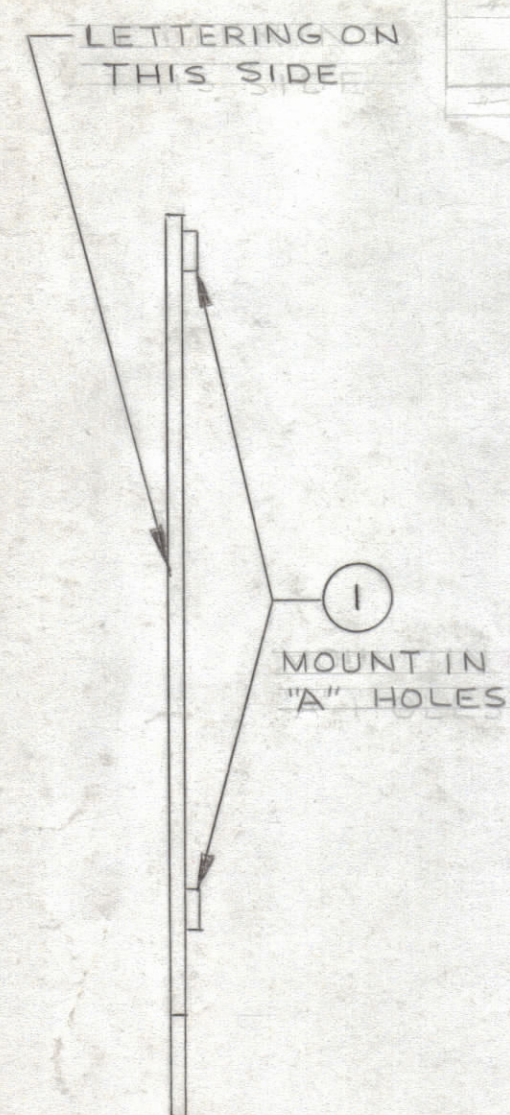
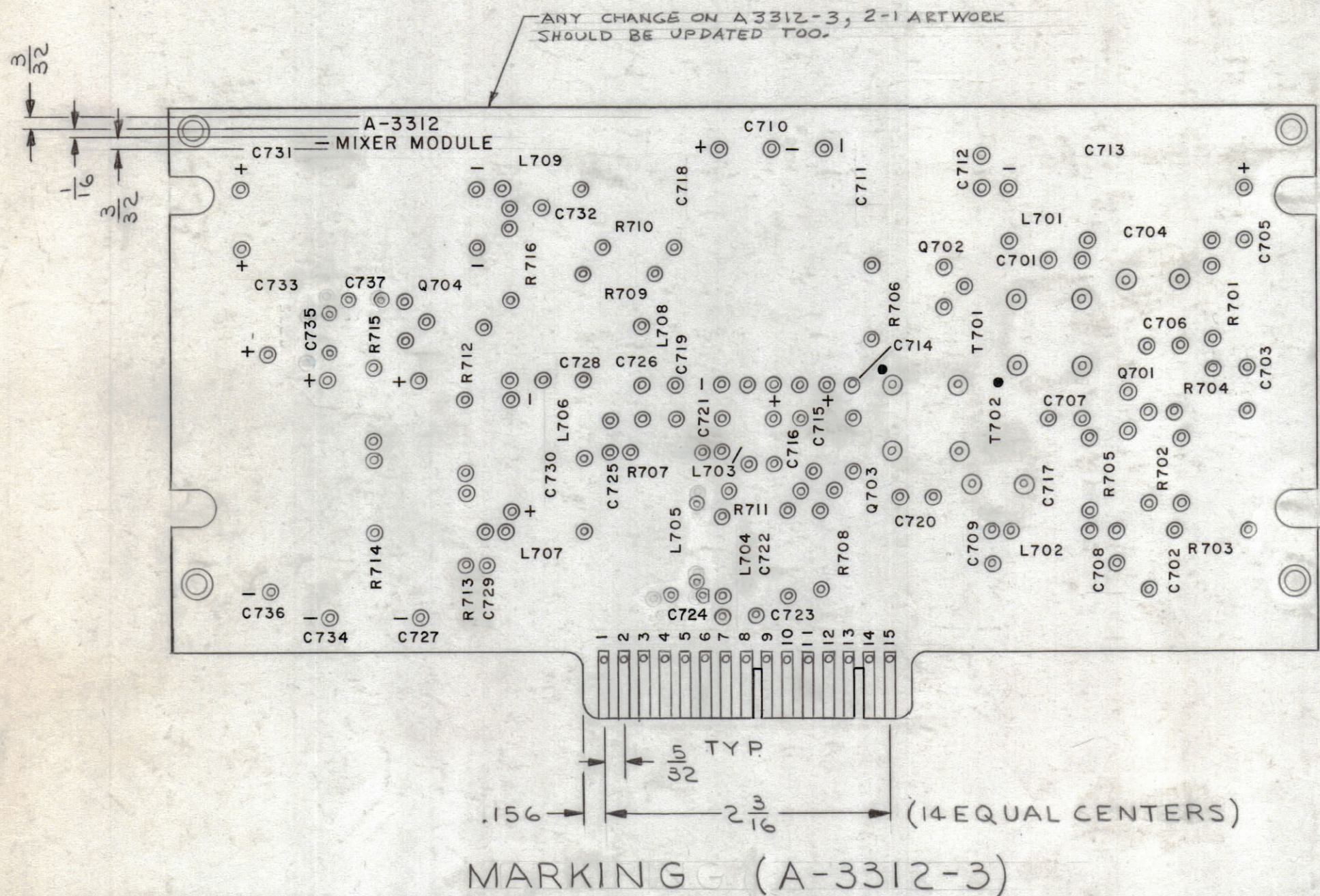
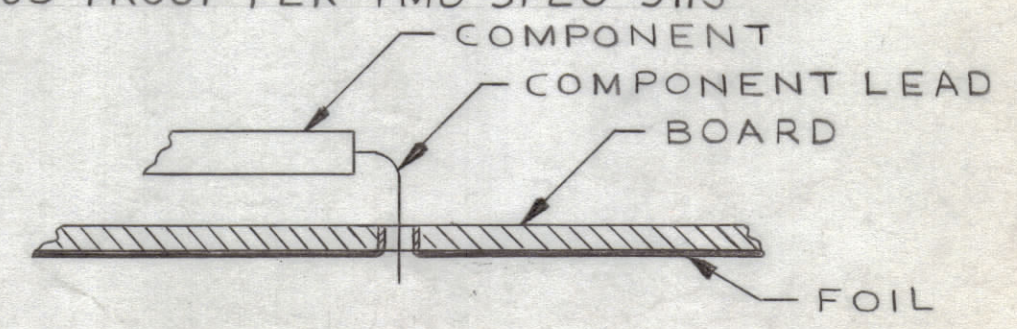


- UNLESS OTHERWISE SPECIFIED -
 1- ALL LETTERING TO BE 5/64 HIGH BLACK GOTHIC, .010 STROKE; ALL DOTS TO BE 1/16 DIA., LOCATED APPROX. AS SHOWN.
 2- MARKING PROCESS: AS PER TMC SPEC. S727.

| REVISIONS | | | | | | |
|-----------|-----|--|----------|------------|-------|------|
| ZONE | SYM | DESCRIPTION | DATE | E.M.N. NO. | DRAFT | CHKD |
| | B | SEE SHEET 1 OF 2 FOR "B" REV. | 10/22/64 | 12750 | JL | |
| D2 | C | IT. 17 WAS CMIIE102HIS | 10/29/64 | 12786 | NSB | |
| | D | IT. 22 WAS ZN1637, SEE SHEET 1 FOR REV. D. | 2/11/65 | 13224 | RL | |
| | X3 | ITEM 17 WAS 8; ADDED ITEM 8 & AX-474 | 7/23/64 | 5 | JL | |
| | X4 | ITEM 17 WAS 8; ADDED ITEM 8 & AX-474 | 7/23/64 | 4 | NR | |
| | X5 | ADDED ITEM 1 SUB-ASSY, MTG HOLES & SLOTS | 7/23/64 | 5 | JL | |
| | | ORIGINAL RELEASE FOR PRODUCTION | | | | |



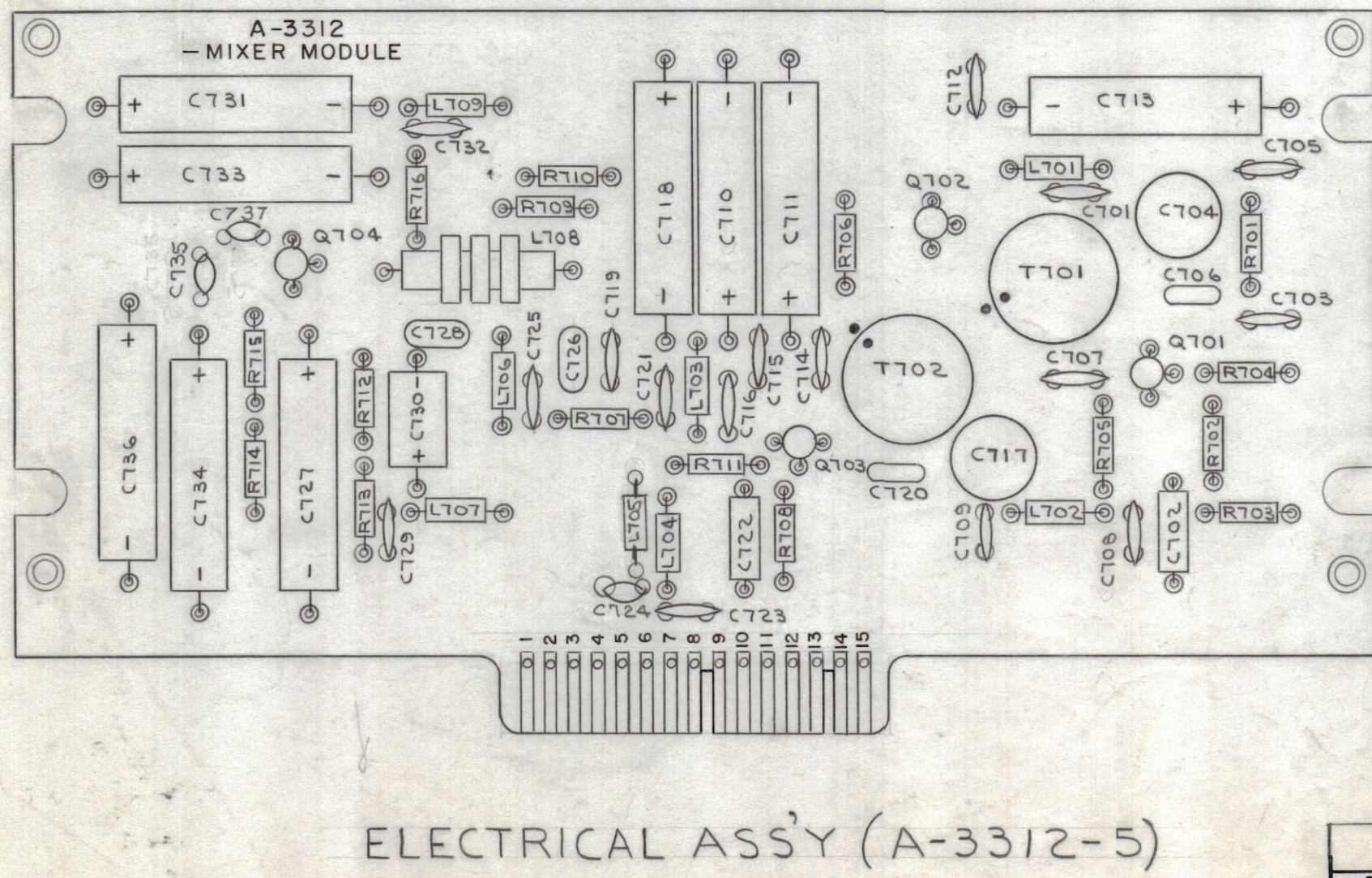
ASSEMBLY NOTICE
 1- TO MOUNT COMPONENTS INSERT LEAD THROUGH PLATED-THRU HOLES AND BEND ABOUT 1/16" OF LEAD OVER COPPER FOIL AS SHOWN.
 2- APPLY HEAT AND SOLDER TO LEAD AND FOIL - CAUTION - TOO MUCH HEAT WILL CAUSE THE FOIL TO SEPARATE FROM THE BOARD.
 3- CLEAN AND INSPECT AS PER S-676.
 4- FUNGUS PROOF PER TMC SPEC 5113



SUB-ASSY (A-3312-4)

| REQ'D. | ITEM | PART NUMBER | DESCRIPTION | SYMBOL |
|--------|------|----------------|--------------------------------|-----------|
| 1 | 26 | CMI5B101J | CAPACITOR, FIXED, MICA | C722 |
| 1 | 25 | RC20GF682J | RESISTOR, FIXED, COMPOSITION | R707 |
| 2 | 24 | RC20GF332K | RESISTOR, FIXED, COMPOSITION | R710, 704 |
| X | 23 | BS 100 | SOLDER, SOFT | |
| 4 | 22 | TX105 | TRANSISTOR | Q701, 702 |
| 2 | 21 | TZ 165 | TRANSFORMER, R.F., FIXED | T701, 702 |
| 1 | 20 | CL 226-1 | COIL, R.F., FERR | L708 |
| 6 | 19 | CL 275-473 | COIL, R.F., FIXED | L701 |
| 2 | 18 | CL 275-101 | COIL, R.F., FIXED | L702 |
| 2 | 17 | CM 112E 102H3S | CAPACITOR, FIXED, MICA | C726, 728 |
| 2 | 16 | CM 111E 101G5S | | C706, 720 |
| 1 | 15 | CM 15B511J | | C702 |
| 9 | 14 | CE 105-200-15 | CAPACITOR, FIXED, ELECTROLYTIC | |
| 1 | 13 | CE 105-50-15 | CAPACITOR, FIXED, ELECTROLYTIC | C730 |
| 18 | 12 | CC-100-35 | CAPACITOR, FIXED, CERAMIC | |
| 1 | 11 | CC 100-29 | CAPACITOR, FIXED, CERAMIC | C703 |
| 2 | 10 | CV 109-8 | CAPACITOR, VARIABLE | C704, 717 |
| 2 | 9 | RC20GF273K | RESISTOR, FIXED, COMPOSITION | R705, 711 |
| 1 | 8 | RC20GF822K | | R713 |
| 5 | 7 | RC20GF102J | | R706 |
| 1 | 6 | RC20GF153K | | R715 |
| 1 | 5 | RC20GF222J | | R702 |
| 1 | 4 | RC20GF390K | | |
| | 3 | RC20GF332K | | |
| 2 | 2 | RC20GF101J | RESISTOR, FIXED, COMPOSITION | |
| 4 | 1 | NT-144-0440 | NUT, PLAIN, SPLINE | A |

| MATERIAL | | THE TECHNICAL MATERIEL CORP. | |
|--|--|------------------------------|--|
| FINISH | | MAMARONECK, NEW YORK | |
| TITLE | | DRAWN | |
| PRINTED CIRCUIT BOARD, ASSEMBLY (- MIXER MODULE) | | J. LESHINSKI | |
| DATE | | DATE | |
| 11/5/63 | | 7-31-64 | |
| CHECKED | | DATE | |
| A 3312 | | DATE | |
| MECH. DES. | | DATE | |
| SHEET 2 OF 2 | | REV. LTR. | |



| 1 | LFSA-1 | AX-474 |
|---|-----------------------------------|------------|
| Q'TY./UNIT | MODEL USED ON | ASS'Y. NO. |
| SCALE 1:1 | CODE A | |
| THE CONTENTS OF THIS DRAWING ARE THE EXCLUSIVE PROPERTY OF THE TECHNICAL MATERIEL CORP. ITS UNAUTHORIZED USE OR REPRODUCTION IN WHOLE OR IN PART IS STRICTLY FORBIDDEN. | | |
| DECIMALS .X ± .05 .XX ± .01 .XXX ± .005 | TOLERANCES ± 1/64 ANGLES ± 0° 30' | |

NOTES

ELECTRICAL ASSY (A-3312-5)

MARKING G (A-3312-3)

L703 THRU 707, 709

C710, 711, 713, 718, 727, 731

C733, 734, 736

C701, 705, 707, 708, 709

R701, 714, 716, 708, 709

R703, R712