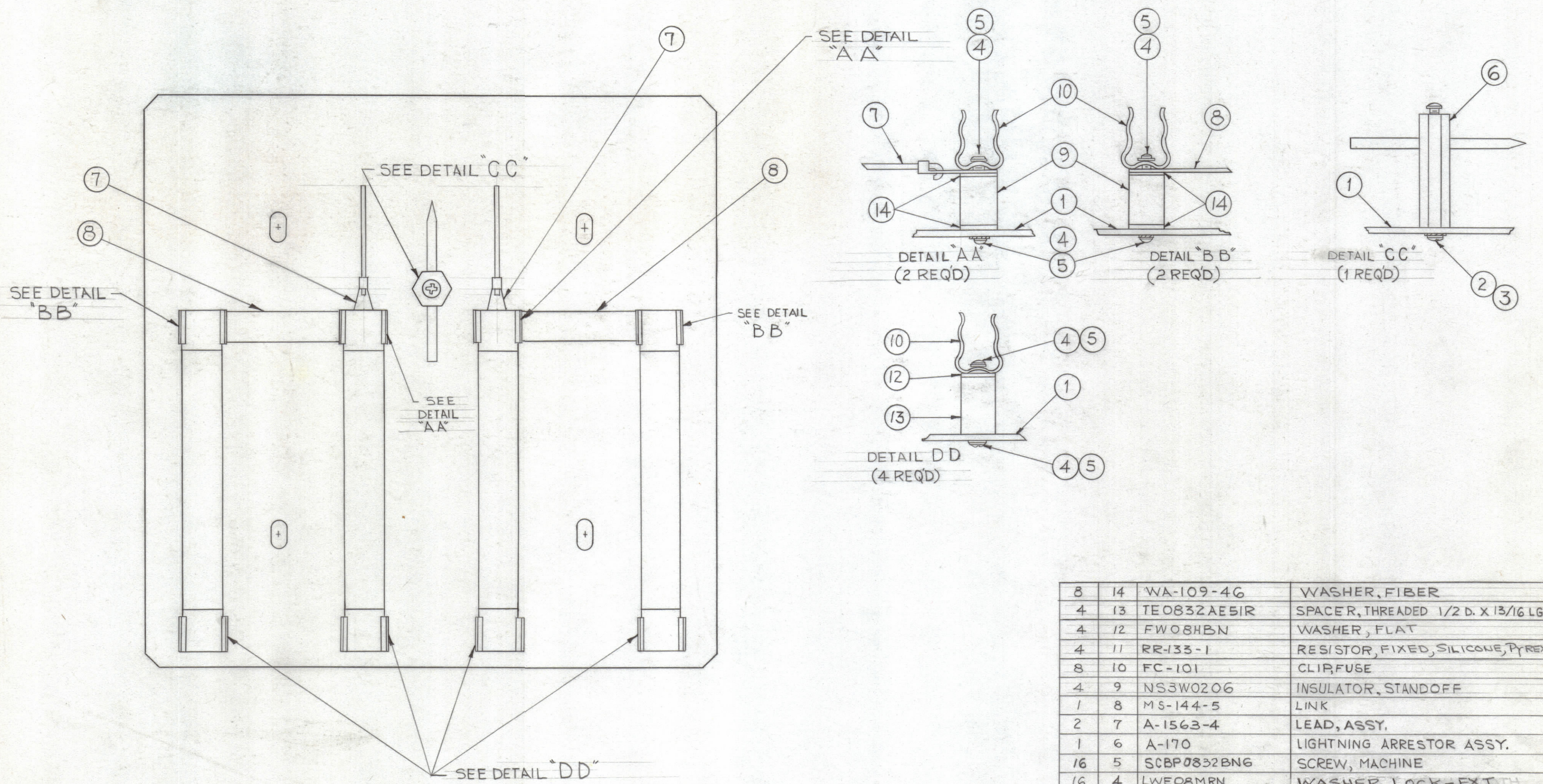


REVISIONS							
ZONE	SYM	DESCRIPTION	DATE	E.M.N. NO.	DRAFT	CHKD	APPD



REQ'D.	ITEM	PART NUMBER	DESCRIPTION	SYMBOL
8	14	WA-109-46	WASHER, FIBER	
4	13	TE0832AE5IR	SPACER, THREADED 1/2 D. X 13/16 LG	
4	12	FW08HBN	WASHER, FLAT	
4	11	RR-133-1	RESISTOR, FIXED, SILICONE, PYREX	
8	10	FC-101	CLIP, FUSE	
4	9	NS3W0206	INSULATOR, STANDOFF	
1	8	MS-144-5	LINK	
2	7	A-1563-4	LEAD, ASSY.	
1	6	A-170	LIGHTNING ARRESTOR ASSY.	
16	5	SCBP0832BNG	SCREW, MACHINE	
16	4	LWE08MRN	WASHER, LOCK-EXT. TH	
1	3	LWE06MRN	WASHER, LOCK-EXT. TH	
1	2	SCBP0632BNG	SCREW, MACHINE	
1	1	LD-1142/MS-3009	PLATE, MOUNTING	

R. HAY LIST OF MATERIAL

MATERIAL		THE TECHNICAL MATERIEL CORP. MAMARONECK, NEW YORK			
FINISH		TITLE SUB-ASSY RESISTOR & MOUNTING PLATE, ASSY			
DRAWN	DATE	FINAL APPROVAL	DATE		
CHECKED	DATE		DATE		
ELECT. DES.	DATE	A-3305			
MECH. DES.	DATE	SHEET	REV. LTR.		

1	RTB-14	A-3306
Q'TY./UNIT	MODEL USED ON	ASSY. NO.
SCALE	CODE	
#	A	

**NOTES**

THE CONTENTS OF THIS DRAWING ARE THE EXCLUSIVE PROPERTY OF THE TECHNICAL MATERIEL CORP. ITS UNAUTHORIZED USE OR REPRODUCTION IN WHOLE OR IN PART IS STRICTLY FORBIDDEN.