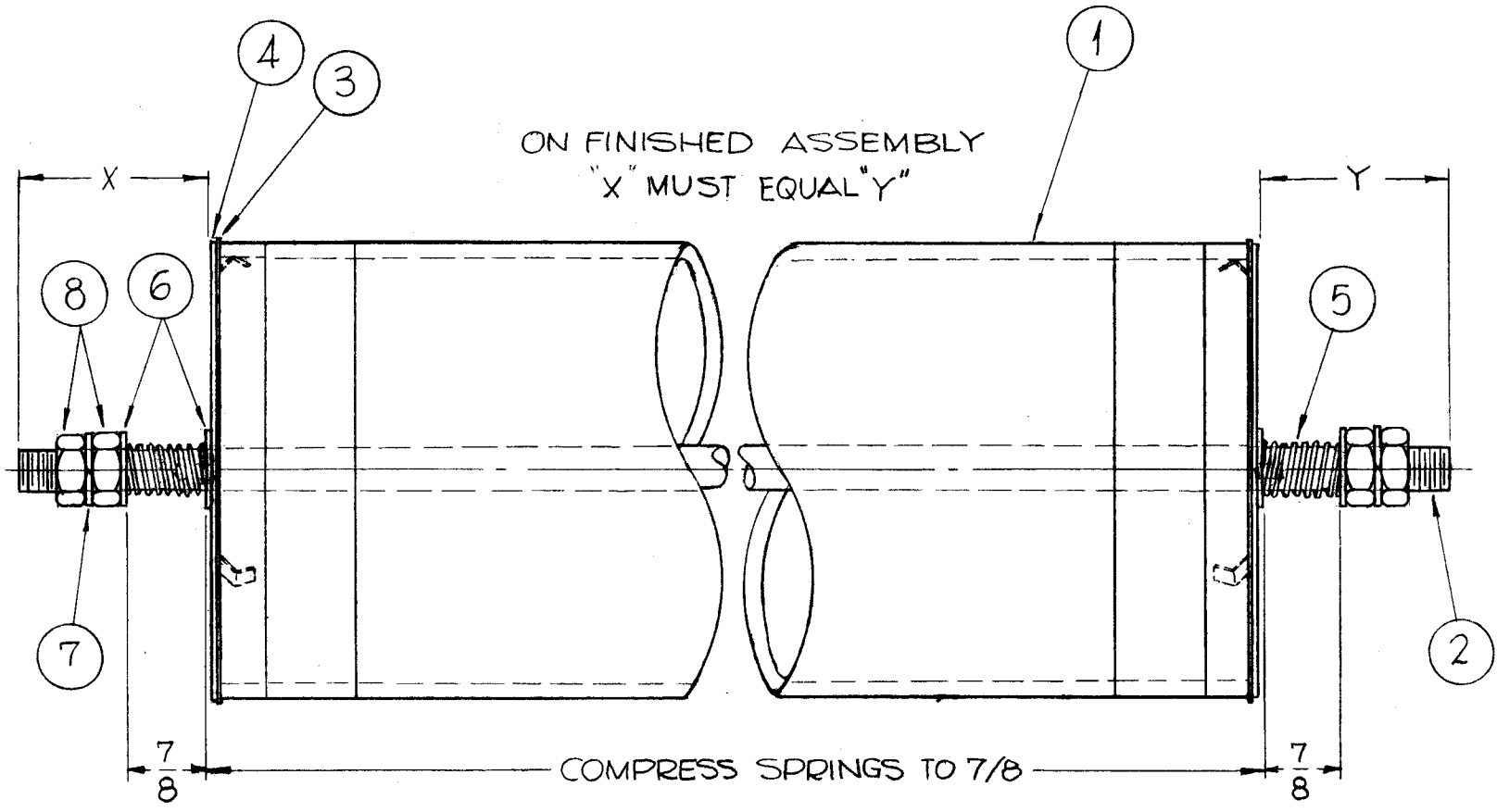


A-3264 0

REVISIONS

SYM	DESCRIPTION	DATE	E.M.N. NO.	DRAFT	CHKD	APPD
0	ORIGINAL RELEASE FOR PRODUCTION	5/28/64	0	A.M.		



REQ'D.	ITEM	PART NUMBER	DESCRIPTION	SYMBOL
4	8	NTH5013BN24	NUT, HEX	
2	7	LWS50MRN	LOCKWASER, SPLIT, 7/8 D.	
4	6	FW50LBN	WASHER, FLAT, 7/8 MAX. D.	
2	5	SP-133	SPRING, COMPRESSION, Lg	
2	4	A-1631-2	CAP. PLATE ASS'Y, BOTTOM	
2	3	IM-172-2	INSULATION, RESISTOR	
1	2	PM-511-1	ROD, CENTER CONDUCTOR	
1	1	RR-120-140	RESISTOR, FIXED, 3000 WATTS	

F. BUDETTI LIST OF MATERIAL

MATERIAL THE TECHNICAL MATERIEL CORP.
MAMARONECK, NEW YORK

FINISH TITLE
RESISTOR & CAP. ASS'Y

2	GPT-200K	AX-392
Q'TY./UNIT	MODEL USED ON	ASS'Y. NO.
SCALE 1/2"=1"	CODE	

UNLESS OTHERWISE SPECIFIED
DIMENSIONS ARE IN INCHES AND INCLUDE
CHEMICALLY APPLIED OR PLATED FINISHES

DRAWN SRG	DATE 12-10-63	FINAL APPROVAL	DATE
CHECKED	DATE		
ELECT. DES.	DATE 3/16/64	A-3264	0
MECH. DES.	DATE	SHEET	REV. LTR.

DECIMALS	TOLERANCES	FRACTIONS
.X ± .05		± 1/64
.XX ± .01		ANGLES ± 0° 30'
.XXX ± .005		

NOTES

THE CONTENTS OF THIS DRAWING ARE THE EXCLUSIVE PROPERTY
OF THE TECHNICAL MATERIEL CORP. ITS UNAUTHORIZED USE OR
REPRODUCTION IN WHOLE OR IN PART IS STRICTLY FORBIDDEN.