

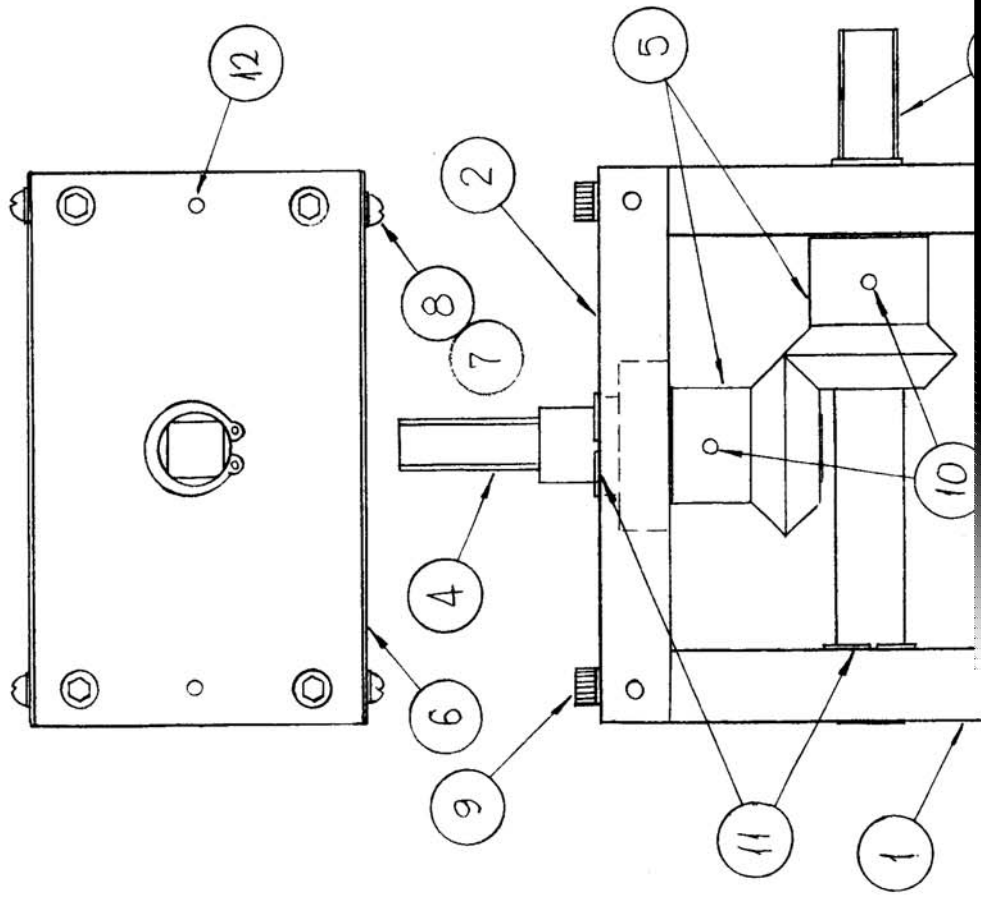
REQ. PER UNIT
1

MODEL
GPT-200K (AY-395)

USED ON
ASS'Y. NO.
A-3196

DATE
10-1-63

A-3233 0



2	12	PN-116-M-4-5	PIN, DOWEL
2	11	WA-138-3	RING, RETAINING, EXTERNAL
2	10	PN-59-094-10	PIN, SPRING
4	9	SC-155-08325512	SCREW, SOCKET HEAD
8	8	LWSO4MRN	WASHER, LOCK, SPLIT
8	7	SFB0440SC3	SCREW, THREAD CUTTING PH.
2	6	MS-3520	PLATE, SIDES
2	5	GR-200-2	GEAR, MITER
1	4	PM-966	SHAFT, SHORT

