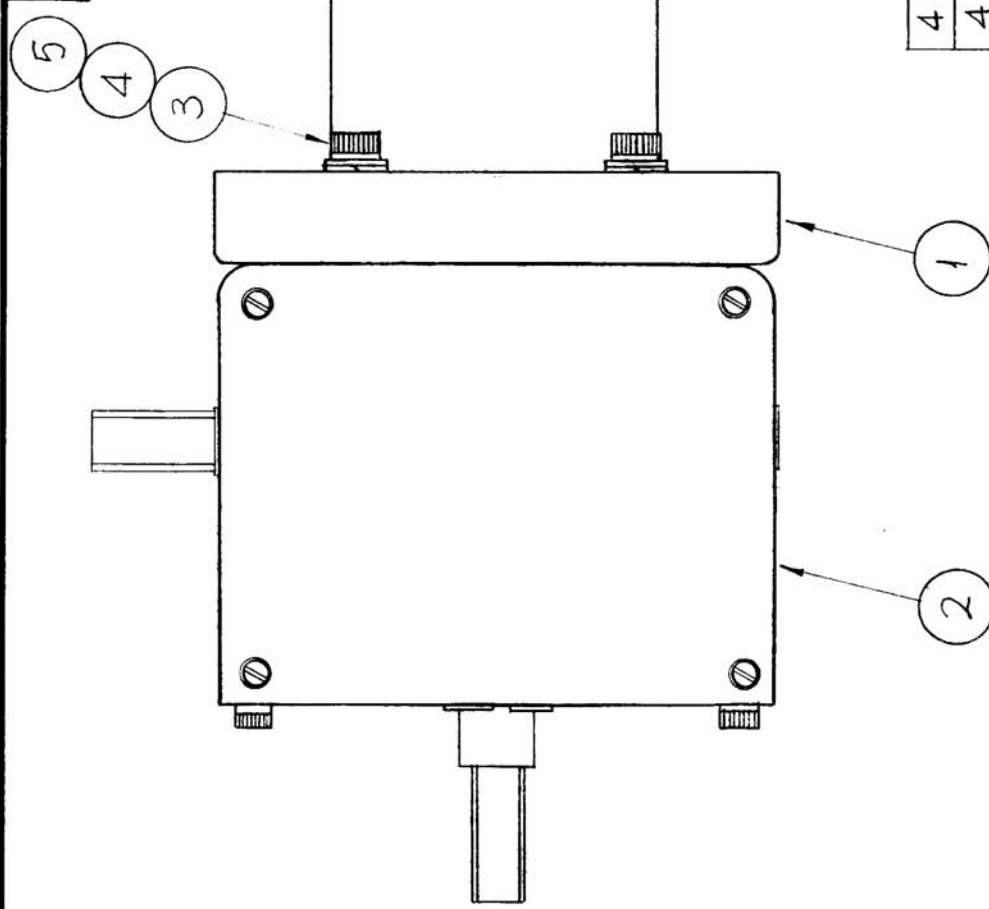


REQ. PER UNIT	USED ON	MODEL	ASSY. NO.	DATE
1		GPT-200K	AX-395	10-24-63
A-3195 0				



REQ. ITEM	PART NO.	DESCRIPTION	SYMBOL
4	5	SC-155-1032 3512	SCREW, SOCKET HEAD
4	4	FW 10 HBN	WASHER, FLAT
4	3	LWS 10 MEN	LOCKWASHER, SPLIT
1	2	A-3232	GEAR ASSY, RIGHT & DRIVE
1	1	A-3194	STAND ASSY, RIGHT & DRIVE
		F. BUDETTI	DESCRIPTION
		THE TECHNICAL MATERIEL CORP. MAMARONECK, NEW YORK	
		RIGHT & DRIVE & STAND ASSY	
		2:1	
		SRG	DRAWN
		00996 RAC	CHECKED
			FINAL APPROVAL
			3-30-64
		DBL	ELEC. DES. APP.
			MECH. DES. APP.
			A-3195 0

SYMBOL	DESCRIPTION	DATE	CH. NO.	DRAFTS	CHECKER	ENG. APP.
○	ORIGINAL RELEASE FOR PRODUCTION					
UNLESS OTHERWISE SPECIFIED DIMENSIONS ARE IN INCHES AND INCLUDE CHEMICALLY APPLIED OR PLATED FINISHES						
SCALE 1"=1"						
TOLERANCES						
FRACTIONS ± 1/64						
ANGLES ± 0° 30'						
DECIMALS .X ± .05						
.XX ± .01						
.XXX ± .005						
CODE A						