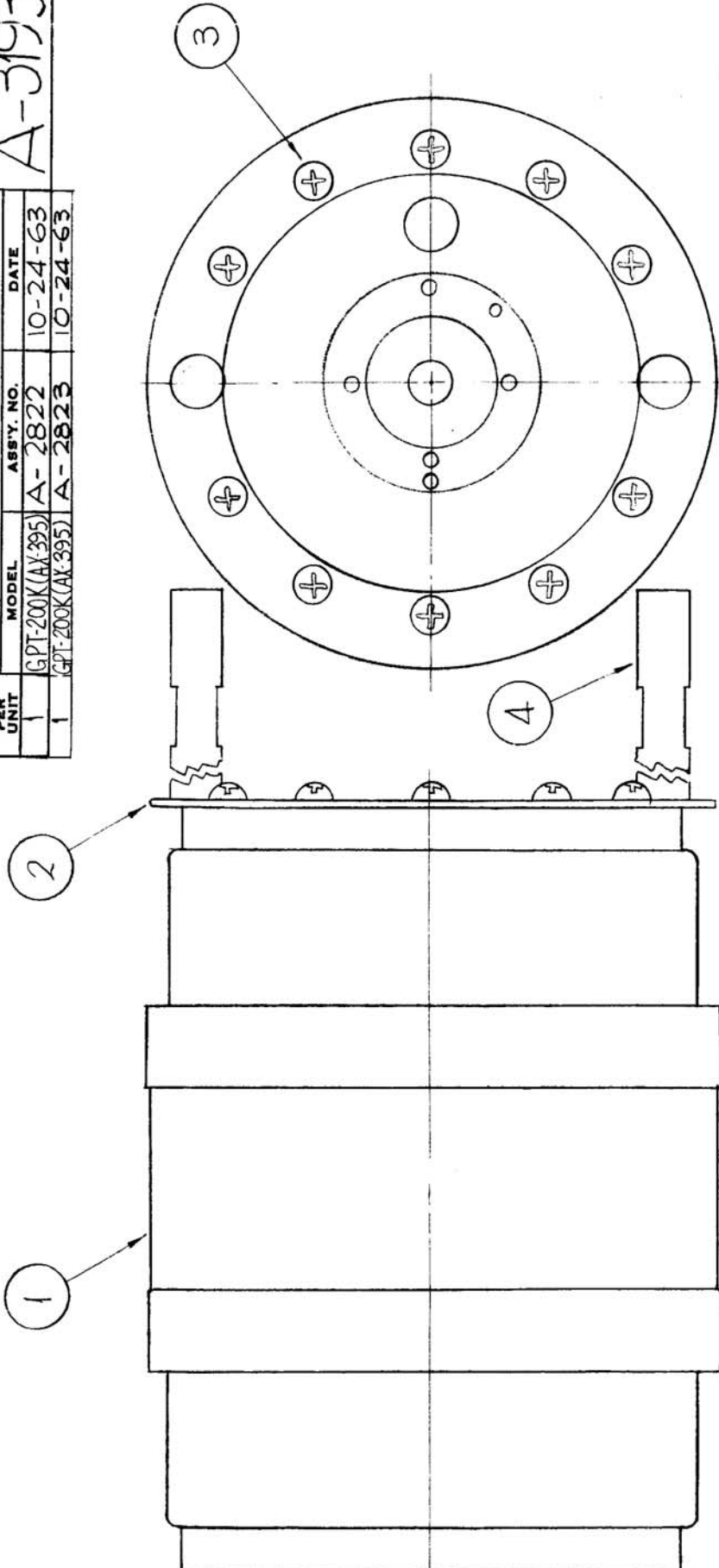


A-3193 0

USED ON		DATE	
REQ. PER UNIT	MODEL	ASSY. NO.	DATE
1	GPT-200K(A-395)	A-2822	10-24-63
1	GPT-200K(A-395)	A-2823	10-24-63



REQ. ITEM	PART NO.	DESCRIPTION	SYMBOL
X 5	TA-113-3-1	ADHESIVE	
2	PM-991	SPACER, SUPPORT	
10	SCBP2520BN8	SCREW, MACHINE	
1	PM-945	RING, CAP. MTG.	
1	CB-167-2	CAP. VARIABLE, VACUUM CERAMIC CASE	

SYM	DESCRIPTION	DATE	CH. NO.	DRAFTS	CHECKER	ENG. APP.
0	ORIGINAL RELEASE FOR PRODUCTION	3-3-64				
UNLESS OTHERWISE SPECIFIED DIMENSIONS ARE IN INCHES AND INCLUDE CHEMICALLY APPLIED OR PLATED FINISHES		SCALE	1/2" = 1"			
TOLERANCES		FRACTIONS		CODE		
.X ± .05		± 1/64		A		
.XX ± .01		ANGLES		± 0° 30'		
.XXX ± .005		± 0° 30'				

THE TECHNICAL MATERIEL CORP.  
MAMARONECK, NEW YORK

VARIABLE CAPACITOR ASSY

SRG QA  
DRAWN  
DBA  
ELEC. DES. APP. MECH. DES. APP.

FINAL APPROVAL  
RAC 3-30-64  
A-3193 0