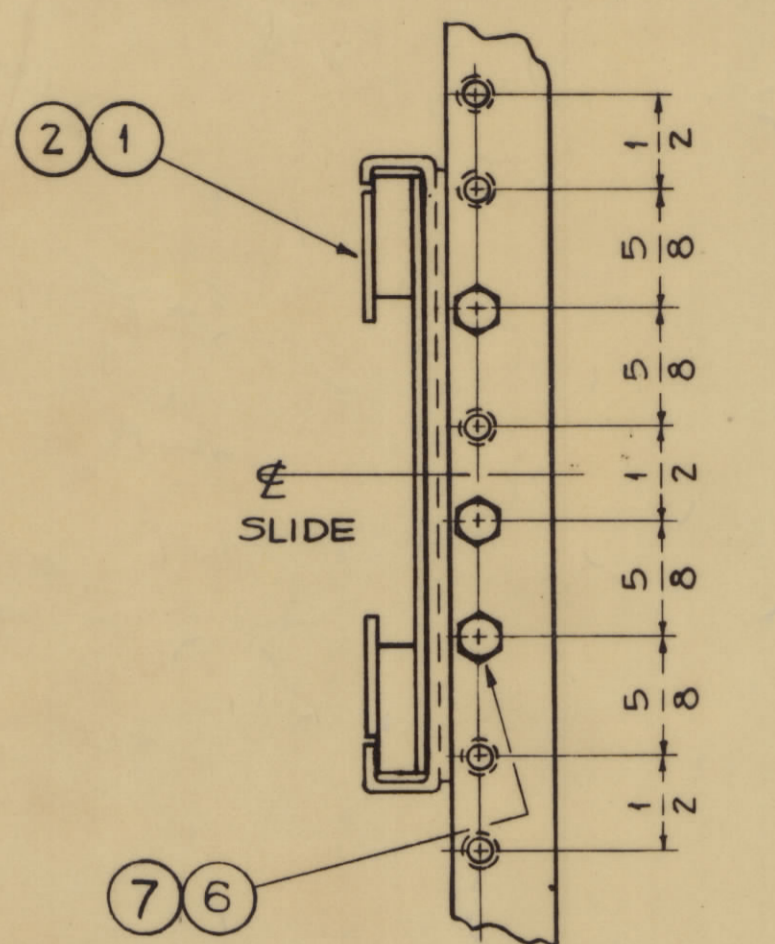
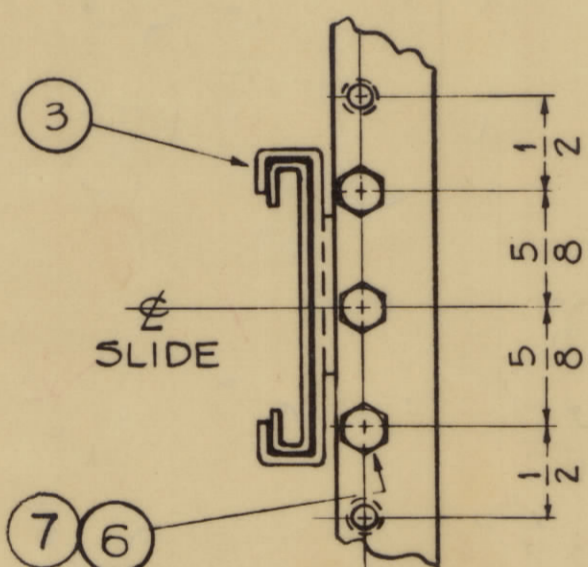


NOTES ~

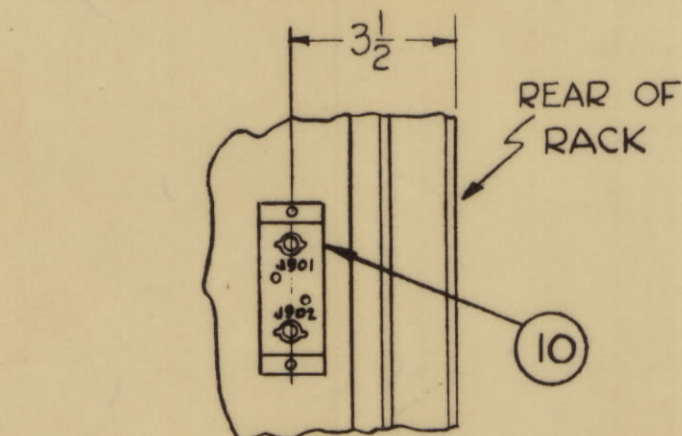
- 1 - ASSEMBLE ITEM 4 (AX-229) BEFORE ASSEMBLY OF SLIDES, ITEMS 1, 2, & 3.
- 2 - ALL DIMENSIONS ARE TO \varnothing OF SLIDES.



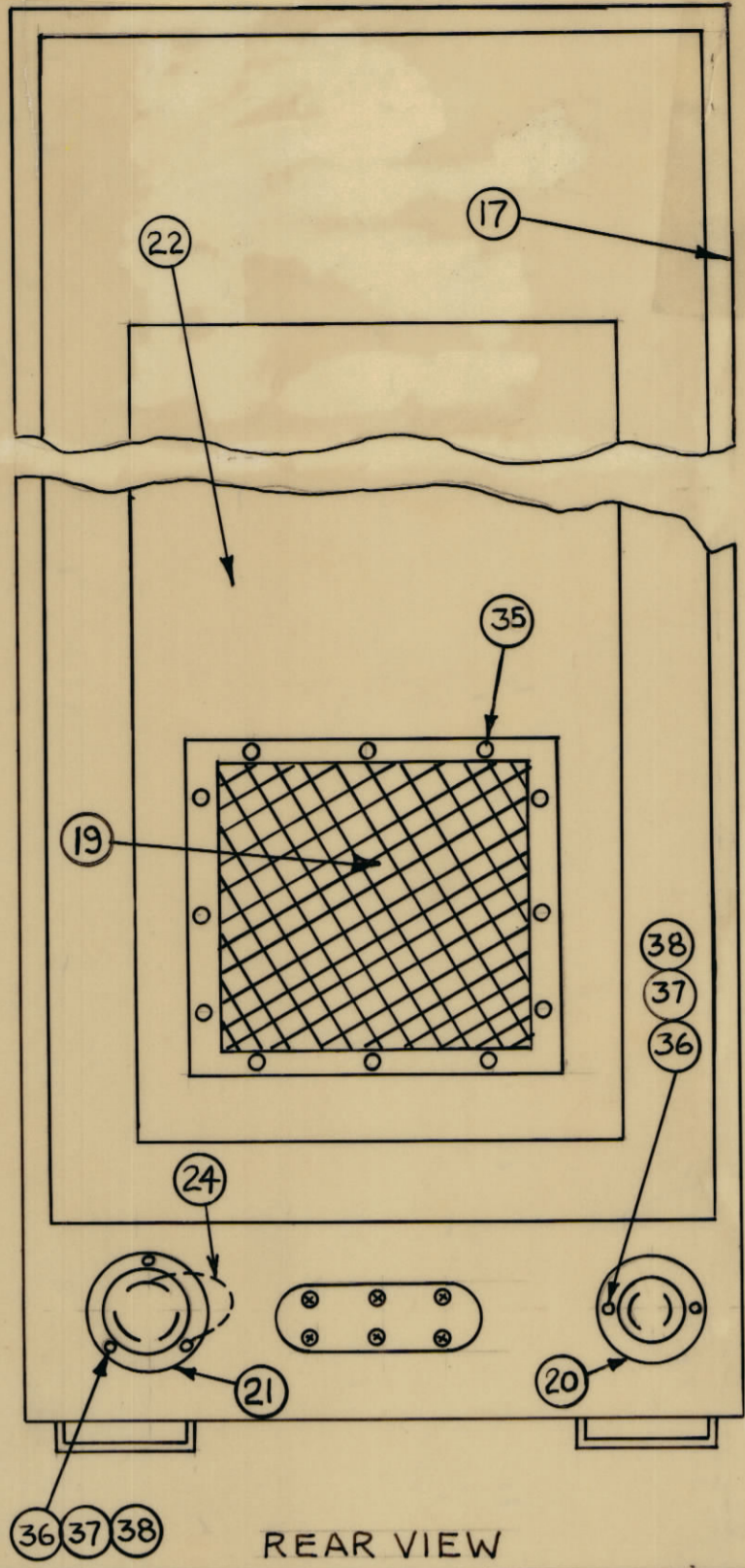
SLIDE MOUNTING, DETAIL "A"



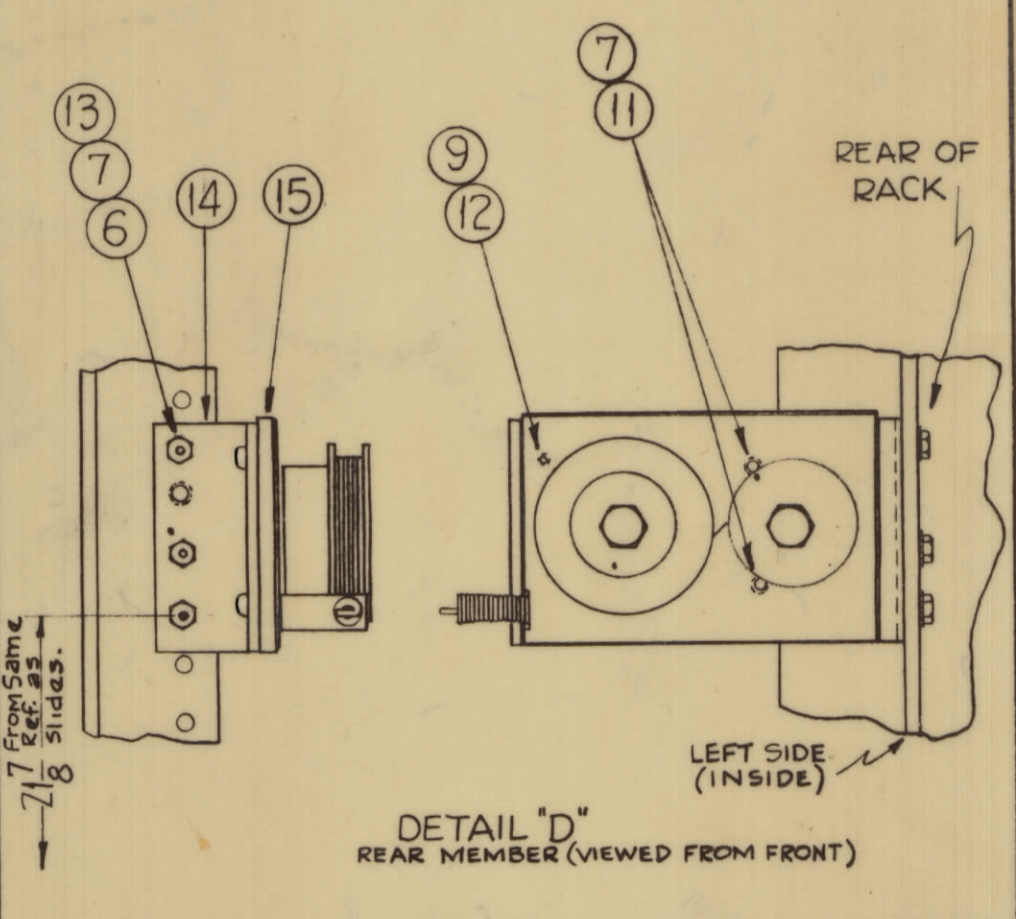
SLIDE MOUNTING, DETAIL "B"



DETAIL "C" (Section B-B) LEFT SIDE

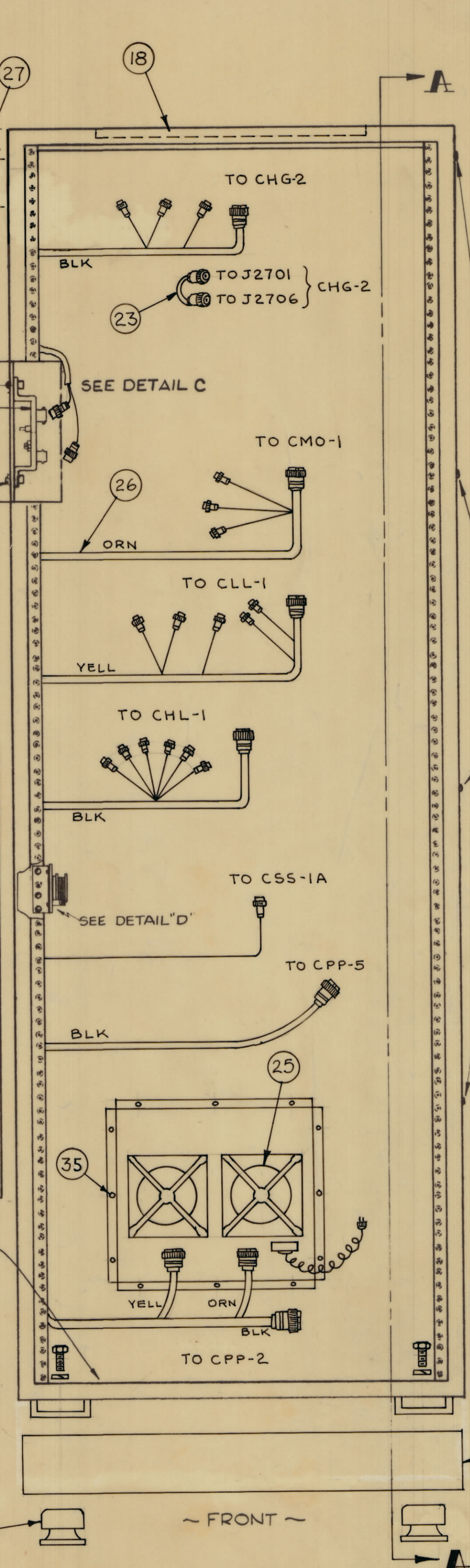


REAR VIEW

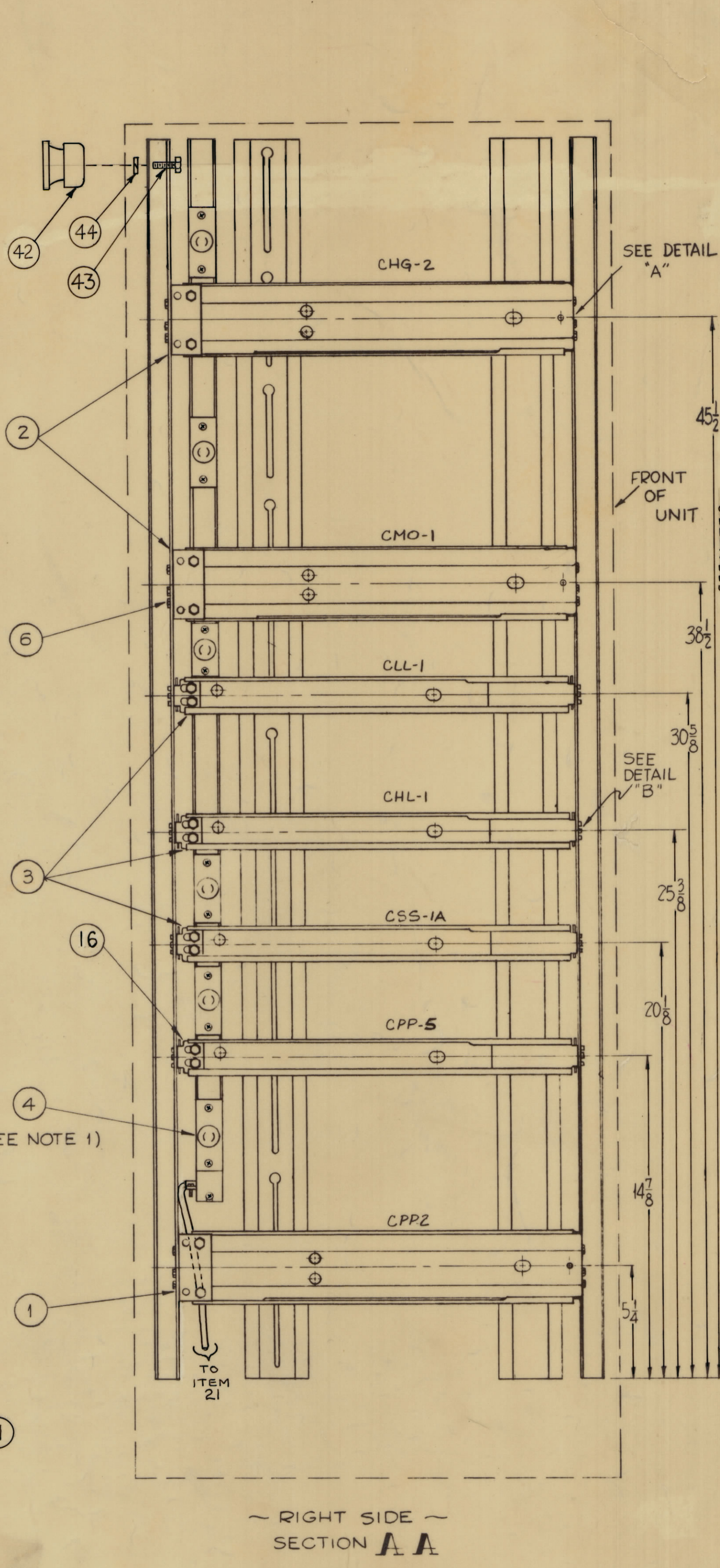


DETAIL "D" REAR MEMBER (VIEWED FROM FRONT)

ALL DIMENSIONS FOR SLIDES TAKEN FROM THIS LIP.



~ FRONT ~



~ RIGHT SIDE ~ SECTION A-A

- NOTES:
- 1. ITEMS 28, 29, 30, 32, 33 & 34 USED FOR CLAMPING MAIN CABLE TO CABINET.
 - 2. ITEMS 41, 42, 43 & 44 SUPPLIED LOOSE AS REQUIRED. WHEN BASE MTG, QTY OF ITEMS 43 & 44 SHALL BE "WHEN SHOCK"

ITEM	USED TO MOUNT	QTY
28	CHL BRANCH CLL BRANCH CBL TO CAB.	2
29	CHG BRANCH	1
30	CBL TO CAB.	6
32	CU 102	12
33	CU 102	12
34	CU 102	12
39	CHL CLAMP	1
40	CU 102	12

ITEM	DESCRIPTION	QTY
X 44	LWS 37 MRN WASHER, LOCK, SPLIT	
X 43	SCHH3716SN16 BOLT, MACHINE	
6 42	SH104-4T6 MOUNT, RESILIENT	
1 41	MS1901 BASE, EL. EQ. RACK	
12 40	FW08 HBN WASHER, FLAT	
1 39	TE 104-3 TERMINAL, LUG, LKG, NO.8	
5 38	NTH0632 BN8 NUT, PLAIN, HEX	
5 37	LWE06 MRN WASHER, LOCK, EXT	
5 36	SCBP0632BN6 SCREW, MACHINE	
12 35	SCBP0832BN6 SCREW, MACHINE	
12 34	NTH0832BN10 NUT, PLAIN, HEX	
12 33	LWE08 MRN WASHER, LOCK, EXT	
12 32	SCBP0832BN8 SCREW, MACHINE	
4 31	SFB0256SN3 SCREW, TAPPING, THD CTG	
6 30	CU102-10 CLAMP, LOOP, 5/8 ID	
1 29	CU102-7 CLAMP, LOOP, 1/2 ID	
5 28	CU102-6 CLAMP, LOOP, 3/16 ID	
1 27	NP103-42 PLATE, IDENTIFICATION	
1 26	CA 74-6 WIRING, HARNESS, BRANCHED	
1 25	A2079 FAN ASSY	
1 24	CA 409-77-8.00 LEAD, ELECTRICAL	
1 23	CA 480-3-6.00 CABLE ASSY, RF, BNC	
1 22	MS2516 DOOR, REAR	
1 21	PL133NG CONN, RECP, ML, AC	
1 20	JJ100 CONN RECP, ML, AC	
1 19	AD103-9 FILTER, AIR CONDITIONING	
1 18	AD103-5 FILTER, AIR CONDITIONING	
1 17	MS2511 CABINET, ELECTRICAL EQUIP.	
1 16	TK-105-18 TRACK SET	
1 15	SP137-2 SPRING, RETRACTOR	
1 14	MS-2470 BRACKET, MTG, RETR	
3 13	NTH1032BN12 NUT, PLAIN, HEX	
1 12	SCBP0540BN6 SCREW, MACHINE	
2 11	SCBP1024BN6 SCREW, MACHINE	
1 10	A-2048 ATTENUATOR ASSY.	
3 9	LWE06MRN WASHER, LOCK, EXT	
2 8	SCBP0632BN6 SCREW, MACHINE	
117 7	LWE10MRN WASHER, LOCK, SPLIT	
115 6	SCHH1032SN8 SCREW, MACHINE	
4 5	SCBP0632-BN4 SCREW, MACHINE	
1 4	AX-229 A C POWER STRIP	
3 3	TK108-18 TRACK SET	
2 2	TK107-18 TRACK SET	
1 1	TK106-18 TRACK SET	

REV. 1	USED TO MOUNT CHART ADDED	11.20.64	12932	MS	MS	MS
REV. 2	REV. 17 MS L2633/MS2511, ON REAR VIEW WAS 28					
REV. 3	UPDATED, MISSING SYM. & ITEMS ADD	5.12.64	11370	MS	MS	MS

SCALE: 1/4 - DO NOT SCALE -

MAXIMUM ALLOWABLE TOLERANCES HAVE BEEN DETERMINED AND ANY DEVIATIONS WILL BE CAUSE FOR REJECTION. REMOVE ALL BURRS AND SHARP EDGES

REQ. PER UNIT	MODEL	SECTION	ASBY. NO.	DATE
	RAK-11C1			4-24-63

REQ. ITEM	PART NO.	DESCRIPTION
		JOHNSON
THE TECHNICAL MATERIEL CORP. MAMARONECK, NEW YORK		
FINAL ASSEMBLY RAK-11C1		
TYPE & TEMPER	DRAWN	ELEC. ENG. APP. MFC.
HEAT TREAT. SPEC.	CHECKED	FINAL APPROVAL
FINISH & SPEC. NO. A-3144		