

REVISIONS							
ZONE	SYM	DESCRIPTION	DATE	E.M.N. NO.	DRAFT	CHKD	APPD
	A	IT B & F WERE SC-108-2 E-9, IT 16 WAS SC-102-1 IT 14 DELETED, B/M CLARIFIED	9/16/63	12147			

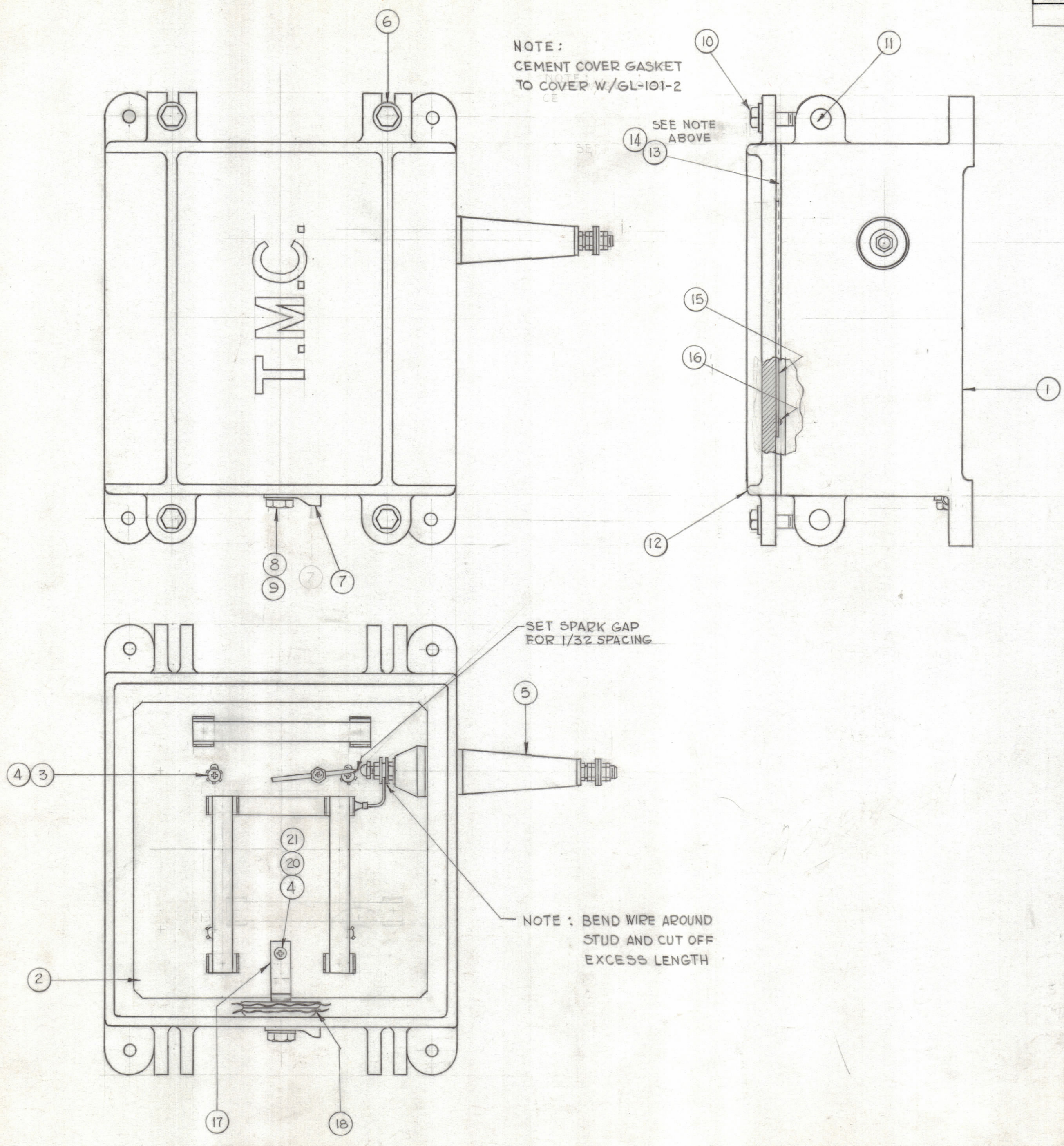
NOTE:  
CEMENT COVER GASKET  
TO COVER W/GL-101-2  
CE

SEE NOTE  
ABOVE

SET SPARK GAP  
FOR 1/32 SPACING

NOTE: BEND WIRE AROUND  
STUD AND CUT OFF  
EXCESS LENGTH

INTERIOR VIEW SHOWN  
(COVER REMOVED)



REQ'D.	ITEM	PART NUMBER	DESCRIPTION	SYMBOL
1	21	NTH0832 BN11	NUT, HEX	
1	20	SCBP0832BN4	SCREW, MACHINE	
1	19	DELETED	TEST PROCEDURE	
2	18	AD-101-1/6	DESSICANT	
1	17	MS-933	HOLDER, DESSICANT	
4	16	SFB0256AW4	SCREW, TAPPING, THREAD CUTTING	
1	15	LD-1193	DIAGRAM, SCHEMATIC	
X	14	GL-101-2	ADHESIVE BOND	
1	13	GA-103	GASKET, COVER	
1	12	PM-105	COVER	
4	11	PM-100	PIN, COVER BOLT	
4	10	SCHH2520SS28	BOLT, MACHINE, LOCK	
1	9	LW525MSS	WASHER, LOCK, SPLIT	
1	8	SCHH2520SS8	BOLT, MACHINE, LOCK	
1	7	TE-178-2	TERMINAL, LUG	
4	6	FW 25 HSS	WASHER, FLAT	
1	5	A-102	INSULATOR ASSEMBLY	
5	4	LWE08MRN	WASHER, LOCK, EXTERNAL	
4	3	SCBP0832BNG	SCREW, MACHINE	
1	2	A-3133	RESISTOR & MTG. PLATE SUB-ASSY	
1	1	PM-835	CASE MACHINING	

STEIN LIST OF MATERIAL			
MATERIAL	THE TECHNICAL MATERIEL CORP. MAMARONECK, NEW YORK		
FINISH	TITLE FINAL ASSEMBLY RHOMBIC TERMINAL UNIT RTB-15		
UNLESS OTHERWISE SPECIFIED DIMENSIONS ARE IN INCHES AND INCLUDE CHEMICALLY APPLIED OR PLATED FINISHES	DRAWN G.D.L.	DATE 5-11-63	FINAL APPROVAL YFH
DECIMALS X ± .05 XX ± .01 XXX ± .005	CHECKED H.D.	DATE 5-16-63	DATE 5-16-63
FRACTIONS ± 1/64 ANGLES ± 0° 30'	ELECT. DES. MM	DATE 5/16/63	SHEET
TOLERANCES	MECH. DES. MM	DATE	REV. LTR.

RTB-15		
Q'TY./UNIT	MODEL USED ON	ASS'Y. NO.
SCALE	CODE	
THE CONTENTS OF THIS DRAWING ARE THE EXCLUSIVE PROPERTY OF THE TECHNICAL MATERIEL CORP. ITS UNAUTHORIZED USE OR REPRODUCTION IN WHOLE OR IN PART IS STRICTLY FORBIDDEN.		

NOTES

A-3134

A

B

A