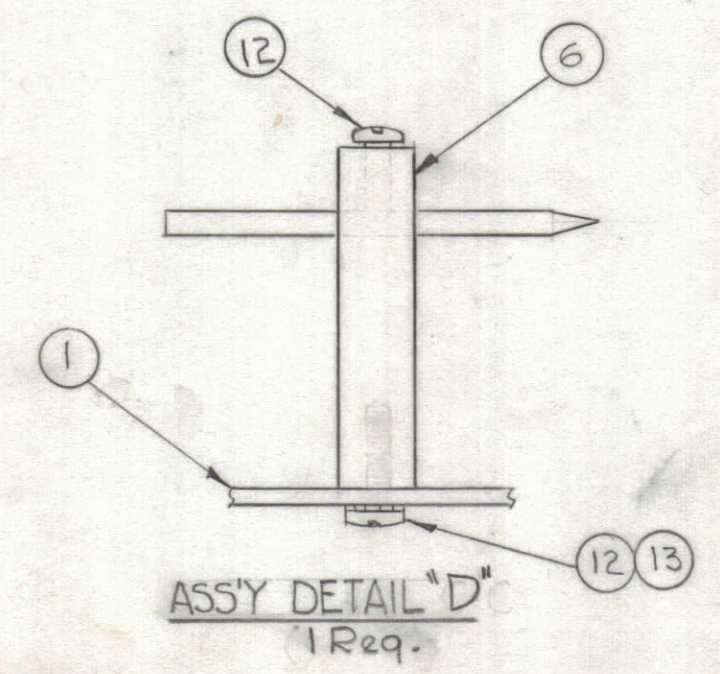
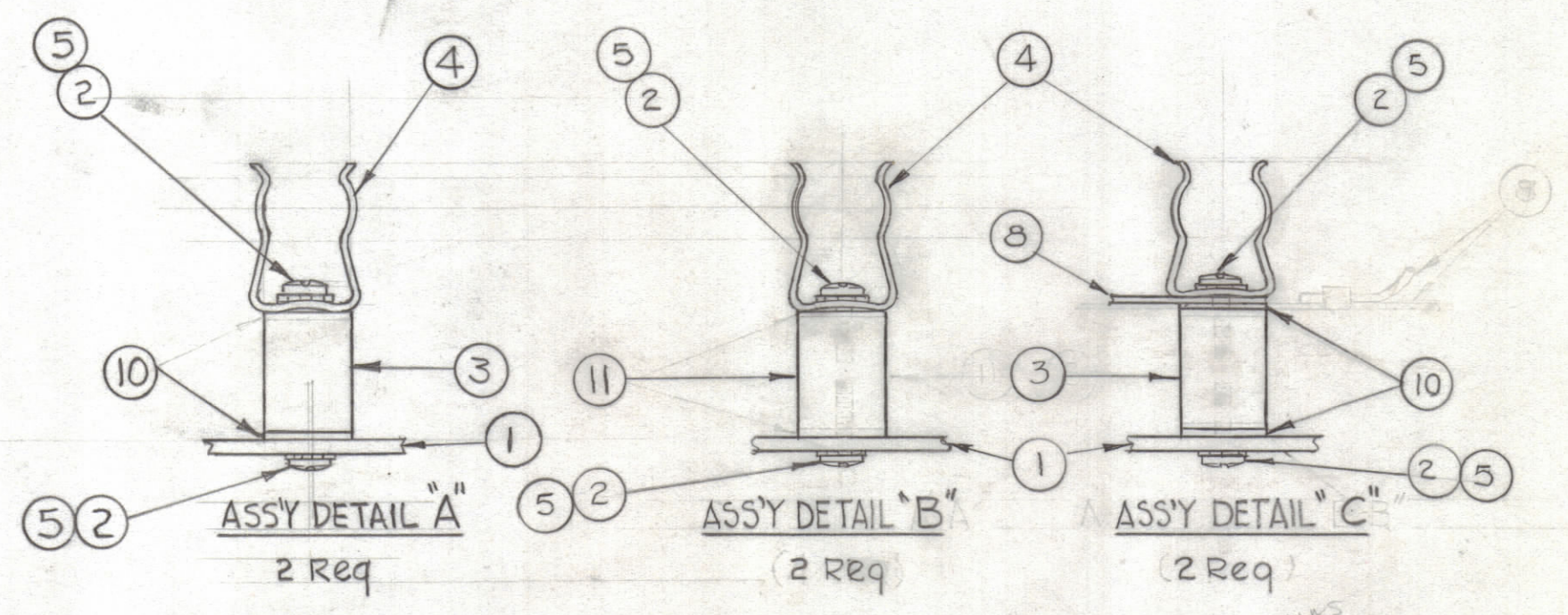
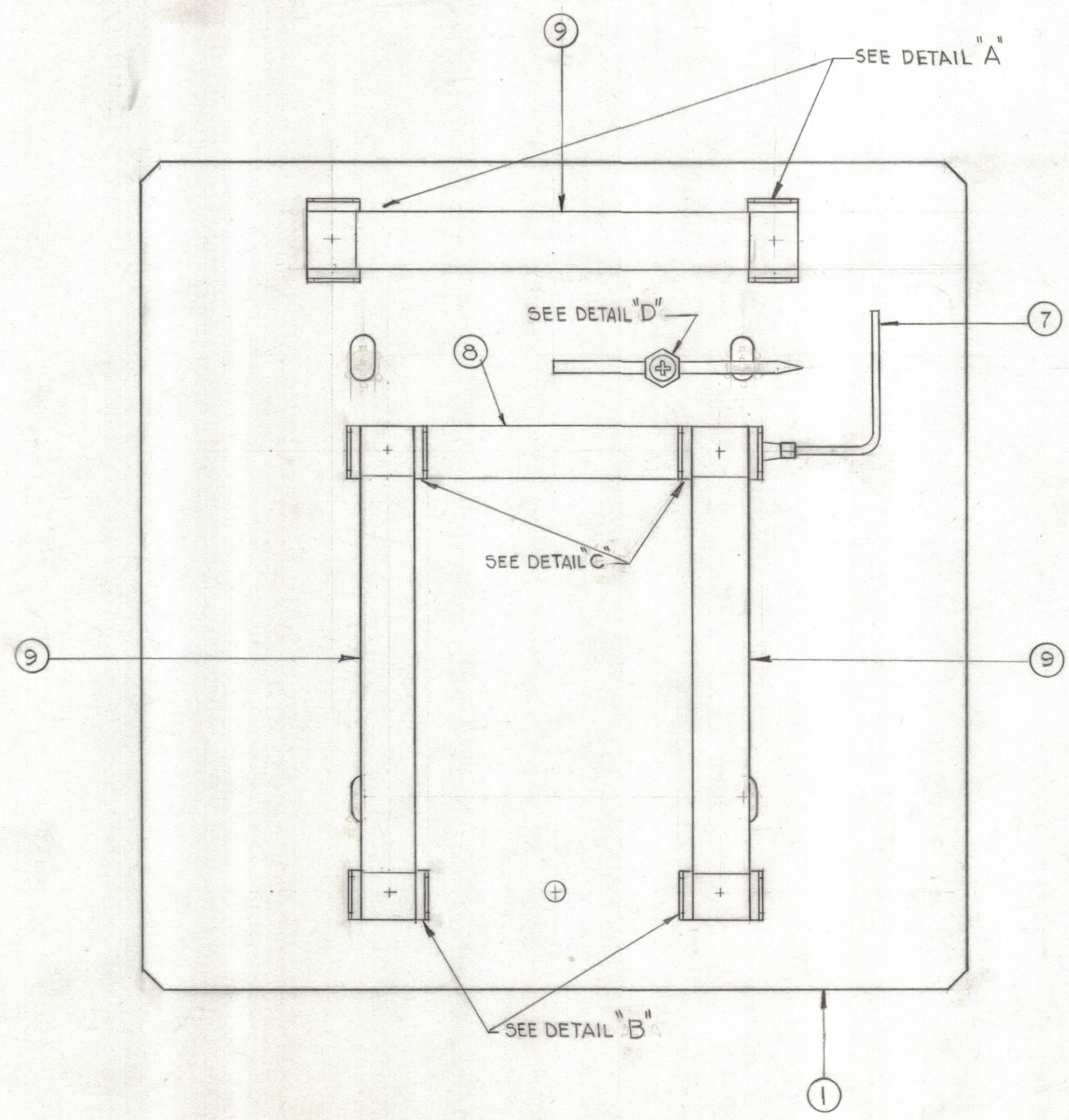


REVISIONS						
ZONE	SYM	DESCRIPTION	DATE	E.M.N. NO.	DRAFT	CHKD APPD
A		IT. P/N WAS RR-133-1, IT. 10 REQD WAS 4 B/M CLARIFIED	5/16	14147		JCB/MMA



REQ'D.	ITEM	PART NUMBER	DESCRIPTION	SYMBOL
1	12	LWE06MRN	LOCKWASHER, EXTERNAL	
1	12	SCBP0632BN6	SCREW, MACHINE	
1	13	LWE06MRN	WASHER, LOCK, EXTERNAL	
2	12	SCBP0632BN6	SCREW, MACHINE	
2	11	TE0832AE51R	NUT, SLEEVE, ROUND	
6	10	WA-109-46	WASHER, FIBRE	
3	9	RR-115-100	RESISTOR ASS'Y	
1	8	MS-144-7	STRAP, CONNECTOR	
1	7	A-1563-1	LEAD, ELECTRICAL	
1	6	A-170	LIGHTNING ARRESTOR ASS'Y	
12	5	SCBP0832BN6	SCREW, MACHINE	
6	4	FC-101	CLIP, FUSE	
4	3	NS3W0206	INSULATOR, STANDOFF	
12	2	LWE08MRN	WASHER, LOCK, EXTERNAL	
1	1	LD-1194/MS3117	PLATE, MOUNTING	

STEIN LIST OF MATERIAL			
MATERIAL		THE TECHNICAL MATERIEL CORP. MAMARONECK, NEW YORK	
FINISH		TITLE RESISTOR & MOUNTING PLATE SUB-ASSEMBLY	
DRAWN	G.D.L.	DATE	5-13-63
CHECKED	HQa	DATE	5-15-63
ELECT. DES.		DATE	
MECH. DES.		DATE	
UNLESS OTHERWISE SPECIFIED DIMENSIONS ARE IN INCHES AND INCLUDE CHEMICALLY APPLIED OR PLATED FINISHES		FINAL APPROVAL	DATE
DECIMALS .X ± .05 .XX ± .01 .XXX ± .005			5-16-63
FRACTIONS ± 1/64 ANGLES ± 0° 30'			
TOLERANCES			
A-3133			
SHEET			REV. LTR.

RTB-15		
Q'TY./UNIT	MODEL USED ON	ASS'Y. NO.
SCALE	CODE	
THE CONTENTS OF THIS DRAWING ARE THE EXCLUSIVE PROPERTY OF THE TECHNICAL MATERIEL CORP. ITS UNAUTHORIZED USE OR REPRODUCTION IN WHOLE OR IN PART IS STRICTLY FORBIDDEN.		

NOTES

A-3133