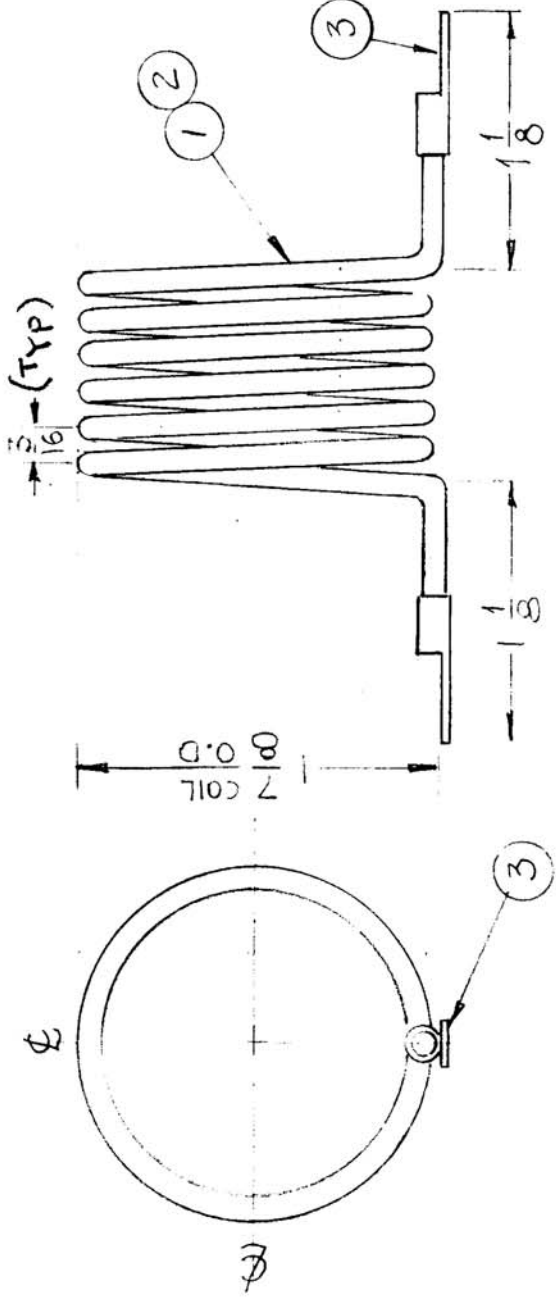


THE CONTENTS OF THIS DRAWING ARE THE EXCLUSIVE PROPERTY OF THE TECHNICAL MATERIEL CORP. ITS UNAUTHORIZED USE FOR REPRODUCTION IN WHOLE OR IN PART IS STRICTLY FORBIDDEN.

REQ. PER UNIT: 1  
 MODEL: TER-5000-300U  
 ASS'Y. NO.:  
 USED ON: DATE: 3-26-63

A-3132 B

NOTE: SHRINK ITEM #2 ON ITEM #1 AS PER TMC S-825



NOTES: 6 TURNS WOUND ON 1 1/2" DIA. FORM

REQ. ITEM	PART NO.	BUDETTI DESCRIPTION	SYMBOL
X 4	BS-100	SOLDER, SOFT	
2	TE-141-4	TERMINAL, LUG	
X 2	PX-845-125	INSULATION, SLEEVING, SHRINK	
X 1	TU-100-2S	TUBING, COPPER, SILVER PLATED	
STOCK SIZE		THE TECHNICAL MATERIEL CORP. MAMARONECK. NEW YORK	
MATERIAL		CL-308 COIL ASS'Y.	
TYPE & TEMPER		G.D.L.	
HEAT TREAT. SPEC.		DRAWN	
FINISH & SPEC. NO.		CHECKED	
ELEC. DES. APP.		ELEC. DES. APP.	
MECH. DES. APP.		MECH. DES. APP.	
FINISH & SPEC. NO.		A-3132 B	

SYM	DESCRIPTION	DATE	CH. NO.	DRAFTS	CHECKER	ENG. APP.
B	IT.2 WAS PX-370-6-7 SHRINK NOTE ADDED	9.4.64	12141	AKB	AK	AKB
A	FINISH NOTE DELETED. IN BUILD-UP ITEMS. 1213 MOD.	8-26-63	9827	AK	AK	AKB

UNLESS OTHERWISE SPECIFIED DIMENSIONS ARE IN INCHES AND INCLUDE CHEMICALLY APPLIED OR PLATED FINISHES	SCALE
DECIMALS .X ± .05 .XX ± .01 .XXX ± .005	FRACTIONS ± 1/64 ANGLES ± 0° 30'