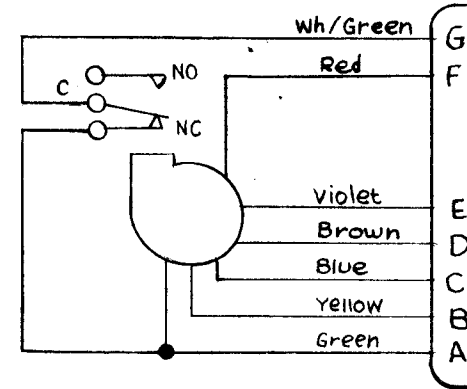
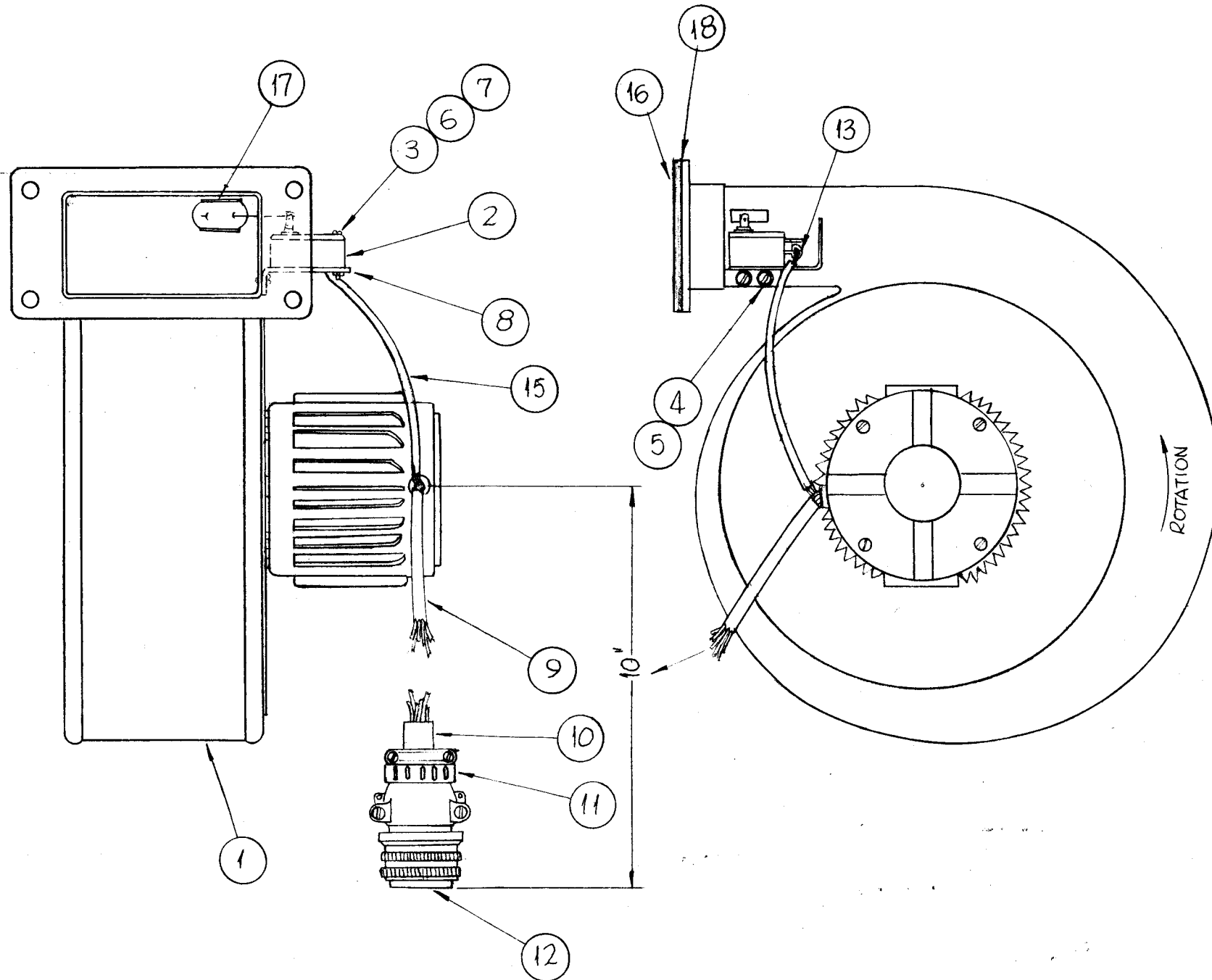


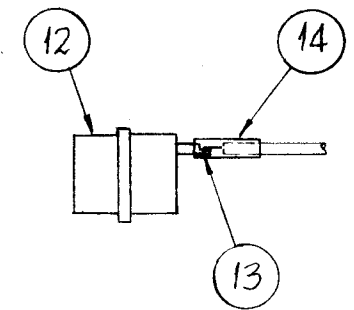
A-3124

B

THE CONTENTS OF THIS DRAWING ARE THE EXCLUSIVE PROPERTY OF THE TECHNICAL MATERIEL CORP. ITS UNAUTHORIZED USE OR REPRODUCTION IN WHOLE OR IN PART IS STRICTLY FORBIDDEN.



WIRING DETAIL



X	18	GL-101-1	CEMENT PLIOBOND
1	17	PO-168-6	VANE, AIR SWITCH
1	16	RY127	GASKET, RUBBER
X	15	PX-100-1-.187	INSULATION, SLEEVING
6	14	PX-100-1-.066	INSULATION, SLEEVING.
X	13	BS-100-	SOLDER, SOFT
1	12	MS3106B16SIP	CONNECTOR, AMPHENOL
1	11	MS3057-8	CLAMP, CABLE
1	10	MS3420-8A	BUSHING, RUBBER
X	9	PX-100-1-.263	INSULATION, SLEEVING
1	8	MS-3220	BRACKET, SWITCH MTG.
2	7	NTH044BN6	NUT, HEX
2	6	LWS 04MRN	LOCKWASHER, SPLIT
2	5	LWS06MRN	LOCKWASHER, SPLIT
2	4	SFBP0632BN8	SCREW, MACHINE
2	3	SCBP0440BN14	SCREW, MACHINE
1	2	SW-252	SWITCH, AIRFLOW
1	1	BL-115	BLOWER, AIR

B	IT. 9 WAS PX-100-1-.250	9.17.64	12366	WLB	Q	Q
A	IT. 16 WAS RY-129	7.13.64	11673	WLB	Q	Q
O	ORIGINAL RELEASE	5.18.64		WLB		
X4	ITEM 18 ADDED	1-22-64				
SYM	DESCRIPTION	DATE	CH. NO.	DRAFTS	CHECKER	ENG. APP.

UNLESS OTHERWISE SPECIFIED:  
 DIMENSIONS ARE IN INCHES  
 TOLERANCES ON FRACTIONS ± 1/64 DECIMALS ± .008 ANGLES ± 1/20

SCALE:  
 MAXIMUM ALLOWABLE TOLERANCES HAVE BEEN DETERMINED AND ANY DEVIATIONS WILL BE CAUSE FOR REJECTION.  
 REMOVE ALL BURRS AND SHARP EDGES

1	GPT-200K	AP-111	5-31-63	
1	GPT-200K	AP-109	1-9-63	
REQ. PER UNIT	MODEL	SECTION	ASS'Y. NO.	DATE
USED ON				

REQ. ITEM	PART NO.	F. BUDETTI	DESCRIPTION	SYMBOL
THE TECHNICAL MATERIEL CORP. MAMARONECK, NEW YORK				
ASS'Y, BLOWER AIR				
MATERIAL				
		SEB	aa	Roe
TYPE & TEMPER	HEAT TREAT. SPEC.	DRAWN	CHECKED	FINAL APPROVAL
		Q	Q	A-3124
FINISH & SPEC. NO.				B
ELEC. DES. APP.		MECH. DES. APP.		