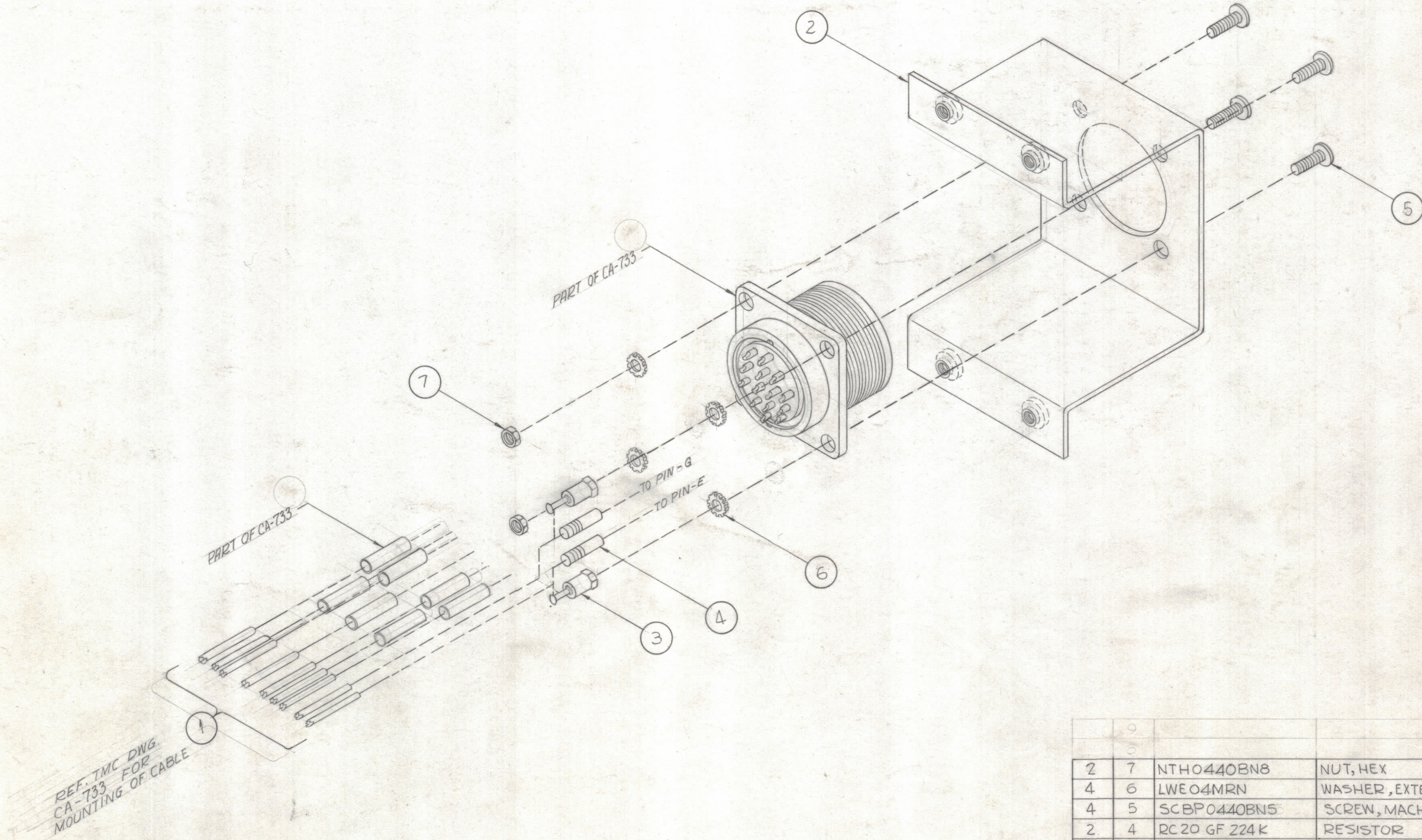


REVISIONS							
ZONE	SYM	DESCRIPTION	DATE	E.M.N. NO.	DRAFT	CHKD	APPD
	0	ORIGINAL RELEASE FOR PRODUCTION	5/28/64	0		A.M.	



A-3098 0

REF. TMC DWG
CA-733 FOR
MOUNTING OF CABLE

REQ'D.	ITEM	PART NUMBER	DESCRIPTION	SYMBOL
2	7	NTH0440BN8	NUT, HEX	
4	6	LWEO4MRN	WASHER, EXTERNAL	
4	5	SCBP0440BN5	SCREW, MACHINE	
2	4	RC20 GF 224K	RESISTOR	D6501 D6502
2	3	TE-102-2	TERMINAL, TURRET	
1	2	LD-1174/MS-3066	BRACKET, CONNECTOR MTG	LD-1174
1	1	CA-733	CABLE, ASSY CONTROL PANEL	

F. BUDETTI LIST OF MATERIAL				
MATERIAL		THE TECHNICAL MATERIEL CORP. MAMARONECK, NEW YORK		
FINISH		TITLE CABLE AND BRACKET ASSEMBLY		
UNLESS OTHERWISE SPECIFIED DIMENSIONS ARE IN INCHES AND INCLUDE CHEMICALLY APPLIED OR PLATED FINISHES		DRAWN	DATE	FINAL APPROVAL
		SRG	12-4-62	
		CHECKED	DATE	
		aa		
		ELECT. DES.	DATE	
		DB	7/30/63	
		MECH. DES.	DATE	
		BR	7/30/63	
			SHEET	

Q'TY./UNIT	MODEL USED ON	ASS'Y. NO.
1	GPT-200K	AX-399
SCALE	CODE	
#	A	

NOTES

THE CONTENTS OF THIS DRAWING ARE THE EXCLUSIVE PROPERTY OF THE TECHNICAL MATERIEL CORP. ITS UNAUTHORIZED USE OR REPRODUCTION IN WHOLE OR IN PART IS STRICTLY FORBIDDEN.

DECIMALS	TOLERANCES	FRACTIONS
X ± .05		± 1/64
.XX ± .01		ANGLES ± 0° 30'
.XXX ± .005		