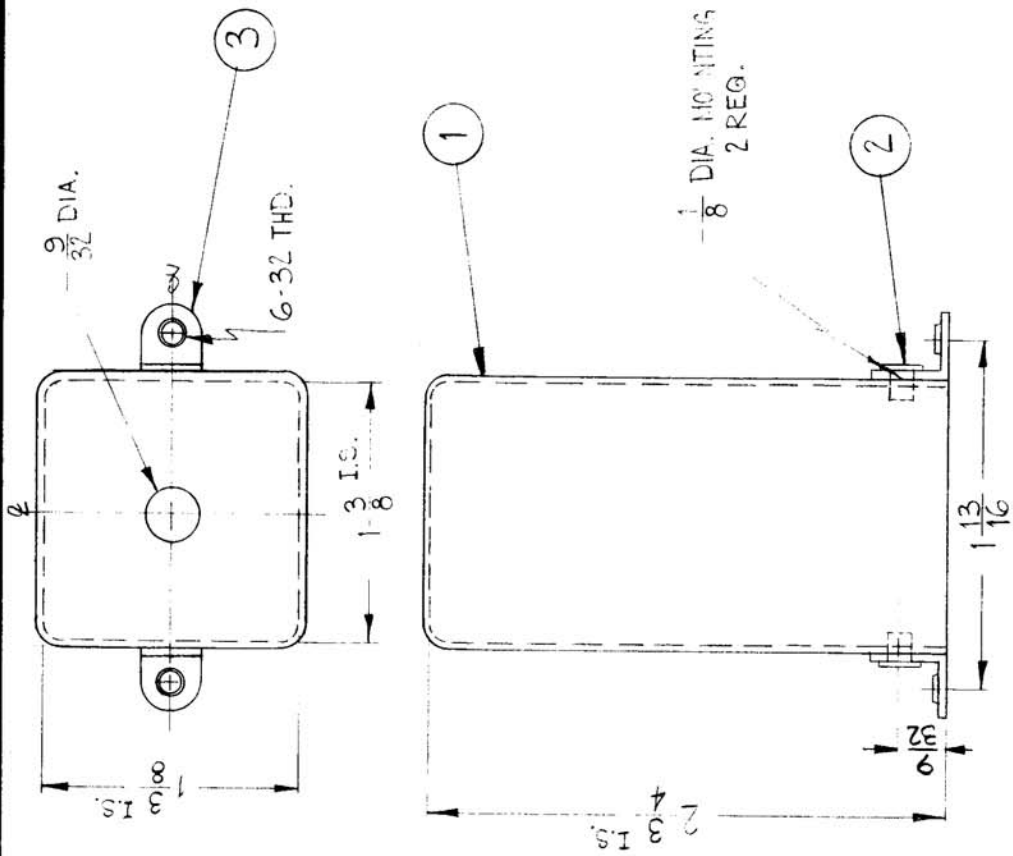


THE CONTENTS OF THIS DRAWING ARE THE EXCLUSIVE PROPERTY OF THE TECHNICAL MATERIEL CORP. ITS UNAUTHORIZED USE FOR REPRODUCTION IN WHOLE OR IN PART IS STRICTLY FORBIDDEN.

REQ. PER UNIT	MODEL	USED ON
1	GPR-92	ASSY. NO. A-2131
		DATE 11-1-62

A-3084 A



NOTE:
I.S. = INSIDE

2	3	TE-167	LUG, ANGLE, THREADED
2	2	EY-100-1	EYELET, FLAT FLANGE
1	1	BX-102-7	CAN

REQ. ITEM	PART NO.	STROKER DESCRIPTION	SYMBOL
		THE TECHNICAL MATERIEL CORP. MAMARONECK, NEW YORK	
		ASSEMBLY, I.F. CAN	
		3.955 MC	
		W.A. FRANCO	W.A. FRANCO
		DRAWN	DRAWN
		CHECKED	CHECKED
		FINAL APPROVAL	FINAL APPROVAL
		ELEC. DES. APP.	ELEC. DES. APP.
		MECH. DES. APP.	MECH. DES. APP.
		FINISH & SPEC. NO.	A-3084 A

SYM	DESCRIPTION	DATE	CH. NO.	DRAFTS	CHECKER	ENG. APP.
A	DIM. 9/32 WAS 1/4	1-23-63	8027			
SCALE FULL (DO NOT SCALE).						
UNLESS OTHERWISE SPECIFIED DIMENSIONS ARE IN INCHES AND INCLUDE CHEMICALLY APPLIED OR PLATED FINISHES						
TOLERANCES						
FRACTIONS						
DECIMALS						
X ± .05						
.XX ± .01						
.XXX ± .005						
ANGLES ± 1/64						
± 0° 30'						