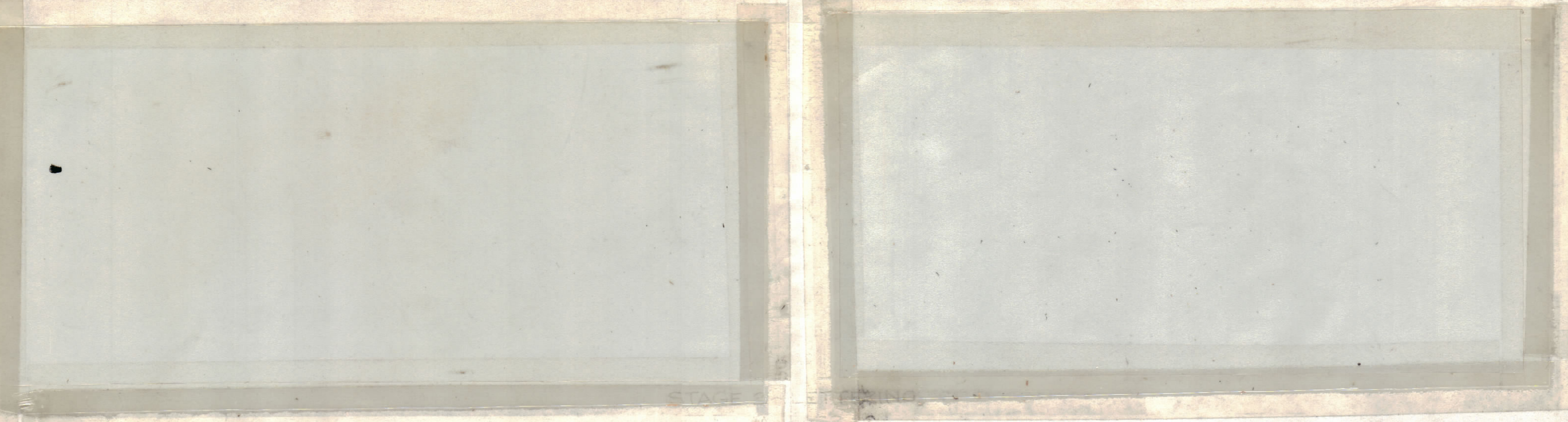
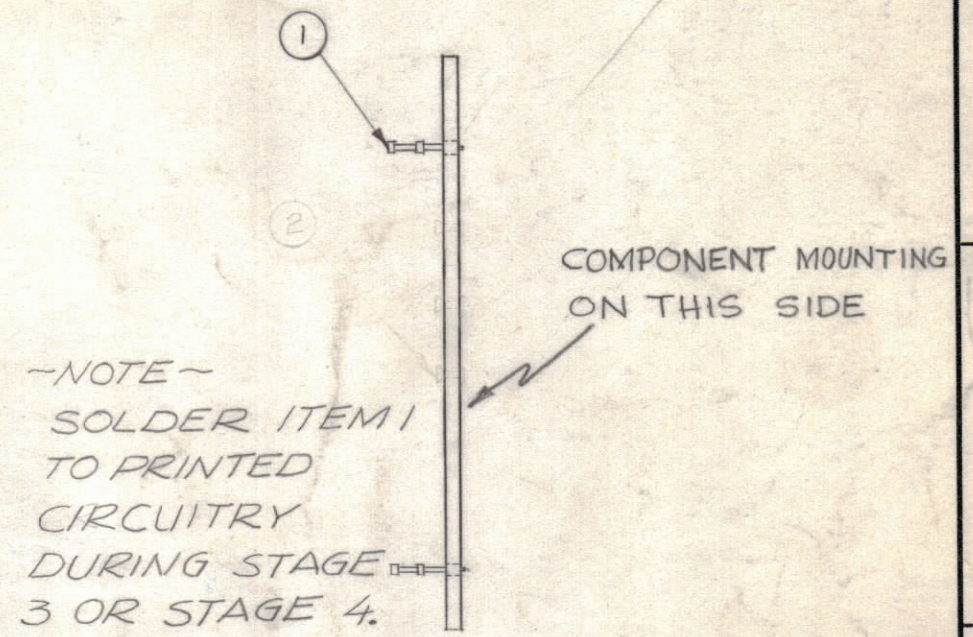


NOTE: ~ ALL LETTERING TO BE 3/32 HIGH BLACK GOTHIC MARKING PROCESS: AS PER TMC SPECIFICATION S-727



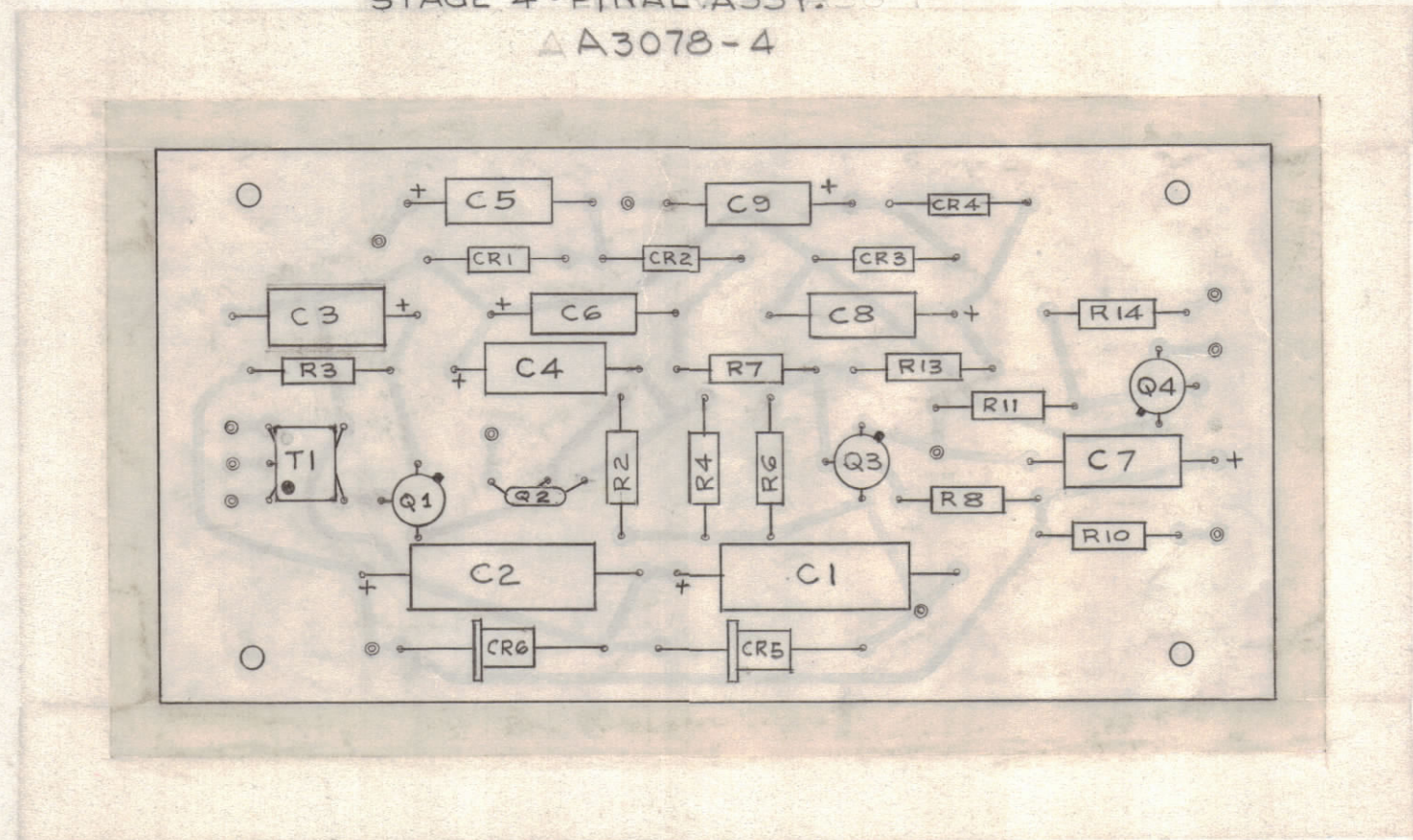
STAGE 2 - LETTERING
A 3078-2



-NOTE-
SOLDER ITEM 1
TO PRINTED
CIRCUITRY
DURING STAGE
3 OR STAGE 4.

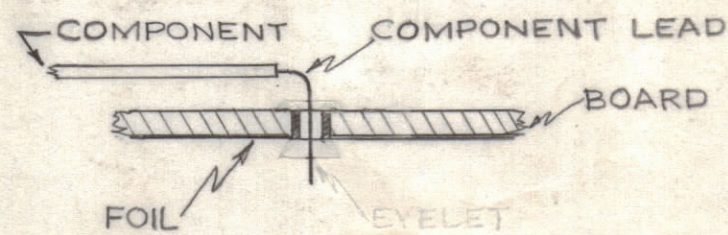
STAGE 3 - SUB-ASSEMBLY
A 3078-3

STAGE 4 - FINAL ASSY. BSY
A 3078-4



~ ASSEMBLY NOTICE ~

- 1~ TO MOUNT COMPONENTS - INSERT LEAD THROUGH BOARD & BEND ABOUT 1/16" OF LEAD OVER COPPER FOIL AS SHOWN.
- 2~ APPLY HEAT & SOLDER TO LEAD & FOIL - CAUTION - TOO MUCH HEAT WILL CAUSE THE FOIL TO SEPARATE FROM THE BOARD.
- 3~ TINE ALL FOIL CONDUCTORS AFTER COMPONENTS ARE IN PLACE.
- 4~ CLEAN & INSPECT AS PER S-676.
- 5~ SEE NOTE ON STAGE 3.



NOTICE TO PERSONS RECEIVING THIS DRAWING

THE TECHNICAL MATERIEL CORPORATION claims proprietary right in the material disclosed hereon. This drawing is issued in confidence for engineering information only and may not be reproduced or used to manufacture anything shown hereon without permission from THE TECHNICAL MATERIEL CORPORATION to the user. This drawing is loaned for mutual assistance and is subject to recall at any time.

Property of:
THE TECHNICAL MATERIEL CORPORATION
MAMARONECK, NEW YORK

ZONE	SYM	DESCRIPTION	DATE	E.M.N.#	DRAFT	CHKD	APPD
C2	A	IT.13 WAS RC20GF153J	10.13.64	12275	W.S.	H.C.	
	B	IT.17 WAS 2N1370-7; Add "Z" to IT. 2	11.17.66	15520	H.C.	H.C.	
	C	SEE SHEET (1) ITEM 1 WAS TE127-2	10-3-66	16941			
D6	D	THE WHITE DOT ON T1 HAS BEEN RELOCATED: SEE THE 1st SHEET	MAR 2 1967	17903	W.H.O.		
	E	ADD NOTE 5 & SOLDER NOTE	6.10.69	19483	GE		

REQ'D.	ITEM	PART NUMBER	DESCRIPTION	SYMBOL
1	18	TF-246-13	TRANSFORMER, SUBMINIATURE	T1
1	13	2N213A	TRANSISTOR, GERMANIUM	Q2
3	17	TX108	TRANSISTOR, GERMANIUM	Q1,3,4
4	16	1N34A	DIODE GERMANIUM	CR1,2,3,4
2	15	1N1524	DIODE, SILICON, ZENER	CR5
✓	14	BS-100	SOLDER, SOFT, COMPOSITION	
1	13	RC20GF103J	RESISTOR, FIXED, COMPOSITION	R11
1	12	RC20GF473J		R10
1	11	RC20GF273J		R6
3	10	RC20GF103J		R2, R7, R13
1	9	RC20GF472J		R4
3	8	RC20GF223J	RESISTOR, FIXED, COMPOSITION	R3,8,14
1	7	CE-105-100-15	CAPACITOR, ELECTROLYTIC MIN.	C7
2	6	CE-105-30-15		C3, C4
2	5	CE-105-125-15		C1, C2
4	4	CE-105-3-15	CAPACITOR, ELECTROLYTIC, MIN.	C5, C6, C8, C9
1	3	2N213A	TRANSISTOR, GERMANIUM	Q2
1	2	TF-246-13Z	TRANSFORMER, SUBMINIATURE	T1
12	1	TE-127-3	TERMINAL, TURRET	

J. STRUMER		LIST OF MATERIAL	
MATERIAL		THE TECHNICAL MATERIEL CORP. MAMARONECK, NEW YORK	
FINISH		TITLE PRINTED ELECTRICAL CIRCUIT ASSY	
Q'TY/UNIT	MODEL USED ON	ASSY. NO.	
SCALE	CODE		
UNLESS OTHERWISE SPECIFIED DIMENSIONS ARE IN INCHES AND INCLUDE CHEMICALLY APPLIED OR PLATED FINISHES		DRAWN	DATE
DECIMALS .X ± .05 .XX ± .01 .XXX ± .005		CHECKED	DATE
FRACTIONS ± 1/64 ANGLES ± 0° 30'		ELECT. DES.	DATE
TOLERANCES		MECH. DES.	DATE
		FINAL APPROVAL	DATE

Q'TY/UNIT	MODEL USED ON	ASSY. NO.
1	KIT-155	A-3139
SCALE	CODE	
1:1		
THE CONTENTS OF THIS DRAWING ARE THE EXCLUSIVE PROPERTY OF THE TECHNICAL MATERIEL CORP. ITS UNAUTHORIZED USE OR REPRODUCTION IN WHOLE OR IN PART IS STRICTLY FORBIDDEN.		

NOTES