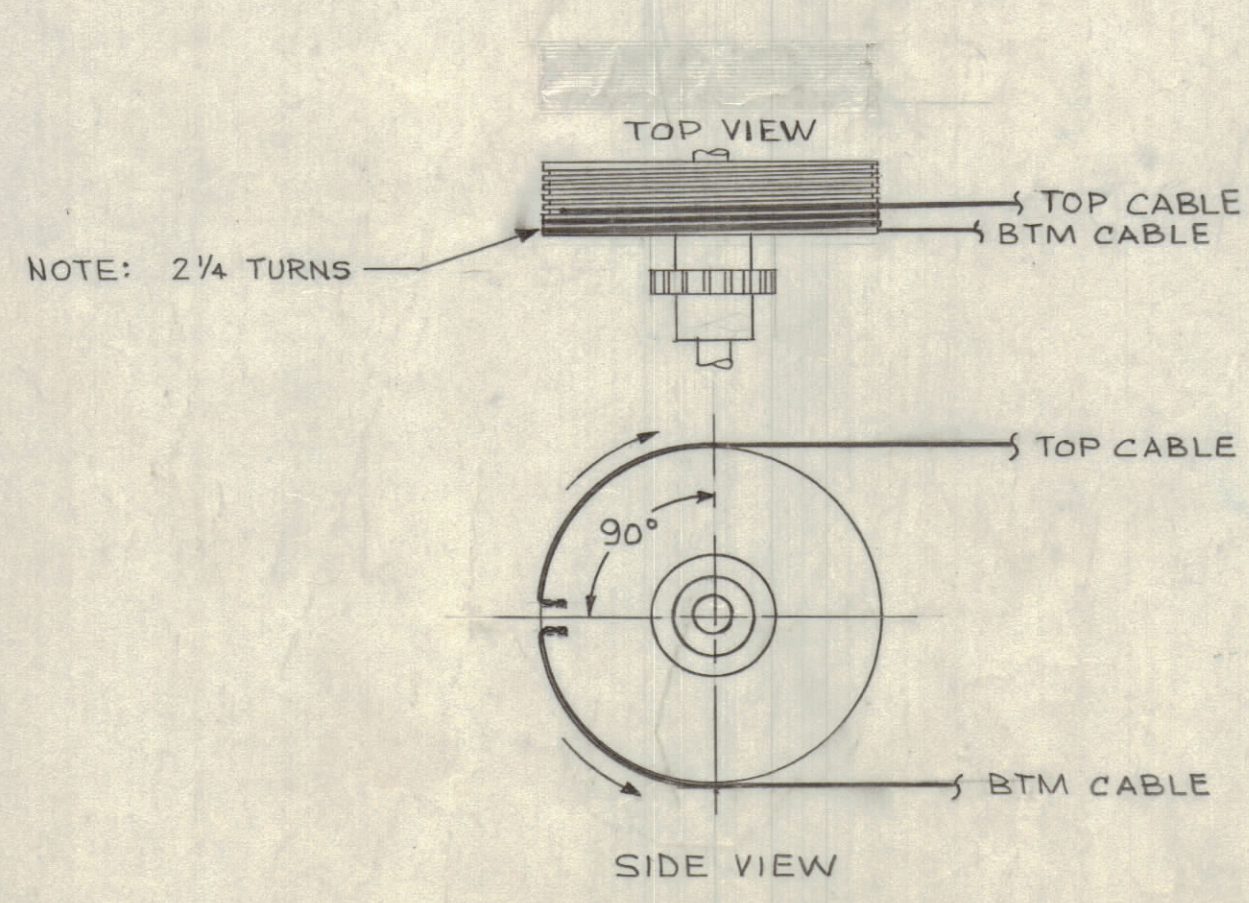
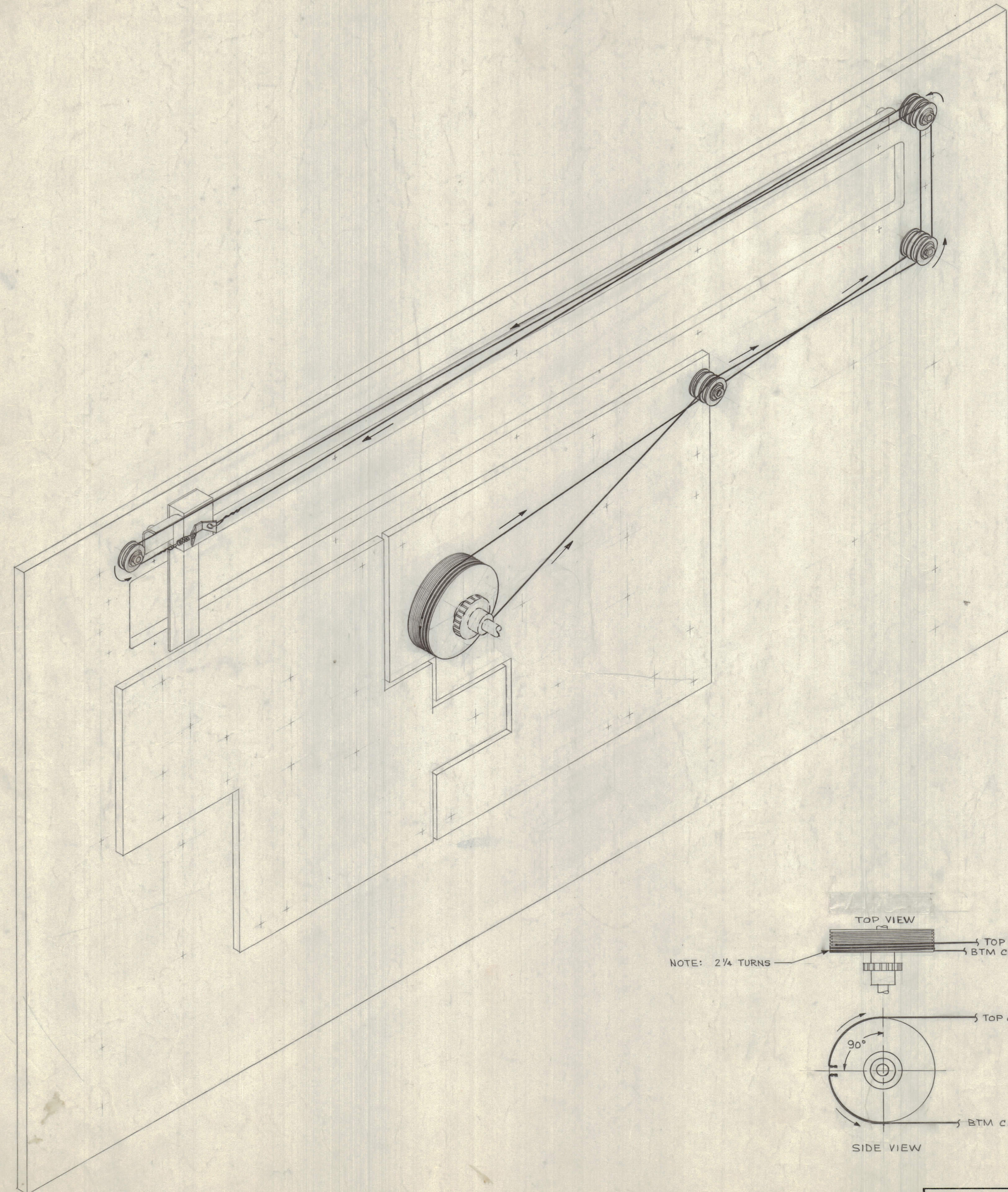


11 10 9 8 7 6 5 4 3 2 1

REVISIONS							
ZONE	SYM	DESCRIPTION	DATE	E.M.N. NO.	DRAFT	CHKD	APPD
1	A	SEE SHEET 2 FOR CHANGE	8-17-63	9015			
2	B	SEE SHEET 1 FOR CHANGE	2-25-68	9325			
3	C	SEE SHEET 1	4-1-64	11172			



NOTES

1	HFR-1A/T	A-3073-2
1	HFR-1/T	A-3073-1
Q'TY./UNIT	MODEL USED ON	ASSY. NO.
SCALE	CODE	

REQ'D.	ITEM	PART NUMBER	DESCRIPTION	SYMBOL
KRUJ LIST OF MATERIAL				
MATERIAL THE TECHNICAL MATERIEL CORP. MAMARONECK, NEW YORK				
FINISH TITLE TUNER CABLE DETAIL, FRONT PANEL & TUNER ASSY				
UNLESS OTHERWISE SPECIFIED DIMENSIONS ARE IN INCHES AND INCLUDE CHEMICALLY APPLIED OR PLATED FINISHES		DRAWN M TANTILLO	DATE 8-12-62	FINAL APPROVAL BP
DECIMALS X ± .05 XX ± .01 XXX ± .005		CHECKED	DATE 12/1/62	
FRACTIONS ± 1/64 ANGLES ± 0° 30'		ELECT. DES.	DATE	
TOLERANCES		MECH. DES.	DATE 12-7-62	
A-3074-C				REV. LTR.

A-3074-C SHEET 2 OF 2

11 10 9 8 7 6 5 4 3 2 1