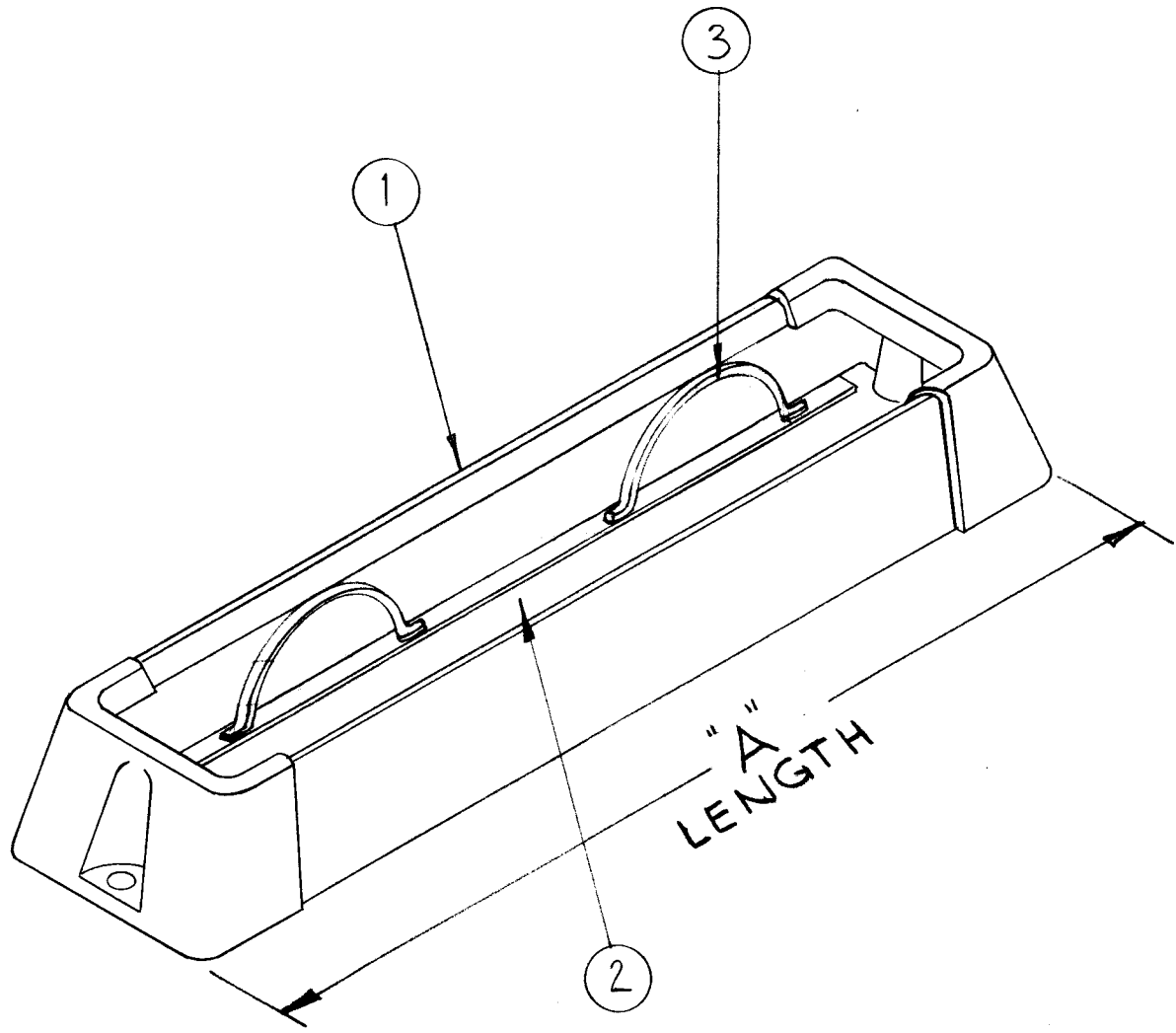


A-3054

THE CONTENTS OF THIS DRAWING ARE THE EXCLUSIVE PROPERTY OF THE TECHNICAL MATERIEL CORP. ITS UNAUTHORIZED USE OR REPRODUCTION IN WHOLE OR IN PART IS STRICTLY FORBIDDEN.

TMC PART NO.	ITEM 1	ITEM 2	"A" LENGTH
A-3054-1	A-3053-1	PO-233-1	10 3/8
A-3054-2	A-3053-2	PO-233-2	8 13/16



4	3	CU-140	CLIP, WINDOW, RETAINING	
1	2	SEE CHART	WINDOW, OBSERVATION	
1	1	SEE CHART	SUB-ASSY, BEZEL	
REQ.	ITEM	PART NO.	STRUMER DESCRIPTION	SYMBOL
			THE TECHNICAL MATERIEL CORP. MAMARONECK, NEW YORK	
STOCK SIZE			FINAL ASS'Y, BEZEL	
MATERIAL				
		W.A. Franco	<i>J. He</i>	<i>BT</i>
		TYPE & TEMPER	CHECKED	FINAL APPROVAL
		HEAT TREAT. SPEC.	<i>AMA</i>	<i>AMA</i>
		FINISH & SPEC. NO.	A-3054	
		ELEC. DES. APP.	A	
		MECH. DES. APP.		

SYM	DESCRIPTION	DATE	CH. NO.	DRAFTS	CHECKER	ENG. APP.
A	CHART ADDED	9-10-63	9907	<i>MB</i>	<i>MB</i>	<i>MB</i>
UNLESS OTHERWISE SPECIFIED:		SCALE: Do Not Scale				
DIMENSIONS ARE IN INCHES		MAXIMUM ALLOWABLE TOLERANCES HAVE BEEN DETERMINED AND ANY DEVIATIONS WILL BE CAUSE FOR REJECTION.				
TOLERANCES ON FRACTIONS ± 1/64 DECIMALS ± .005 ANGLES ± 1/2°		REMOVE ALL BURRS AND SHARP EDGES				
1	LFS-1					
1	HFS-1	3000				B-15-62
REQ. PER UNIT	MODEL	SECTION	ASS'Y. NO.	DATE		
USED ON						