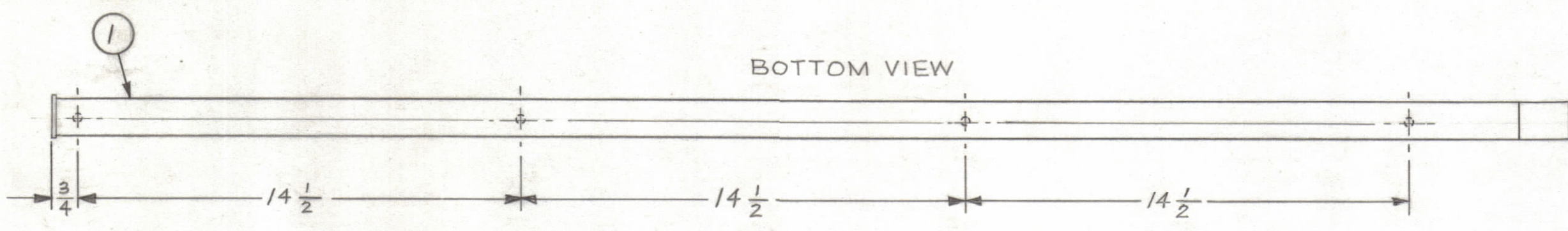
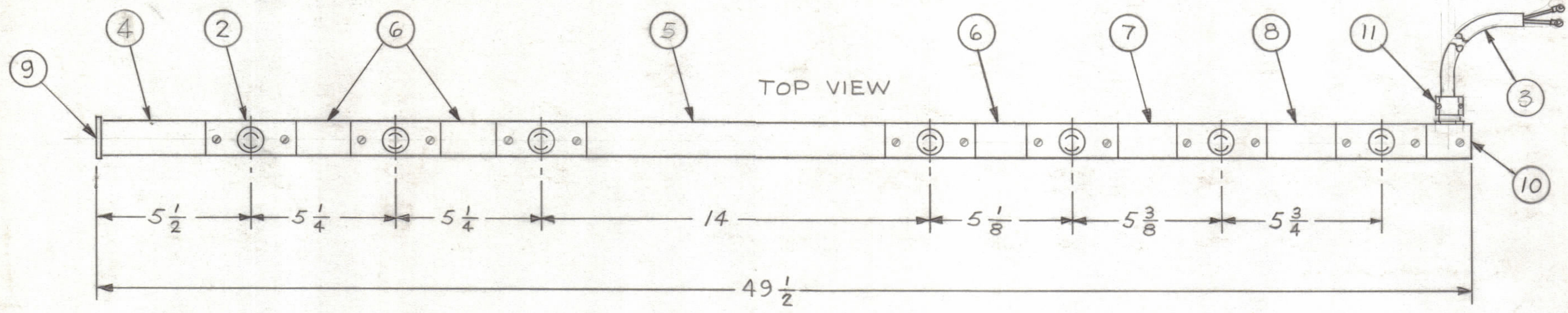


REVISIONS							
ZONE	SYM	DESCRIPTION	DATE	E.M.N. NO.	DRAFT	CHKD	APPD



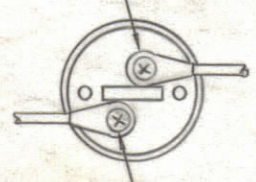
NOTICE TO PERSONS RECEIVING THIS DRAWING

THE TECHNICAL MATERIEL CORPORATION claims proprietary right in the material disclosed herein. This drawing is issued in confidence for engineering information only and may not be reproduced or used to manufacture anything shown herein without permission from THE TECHNICAL MATERIEL CORPORATION to the user. This drawing is loaned for mutual assistance and is subject to recall at any time.

Property of:
THE TECHNICAL MATERIEL CORPORATION
MAMARONECK, NEW YORK

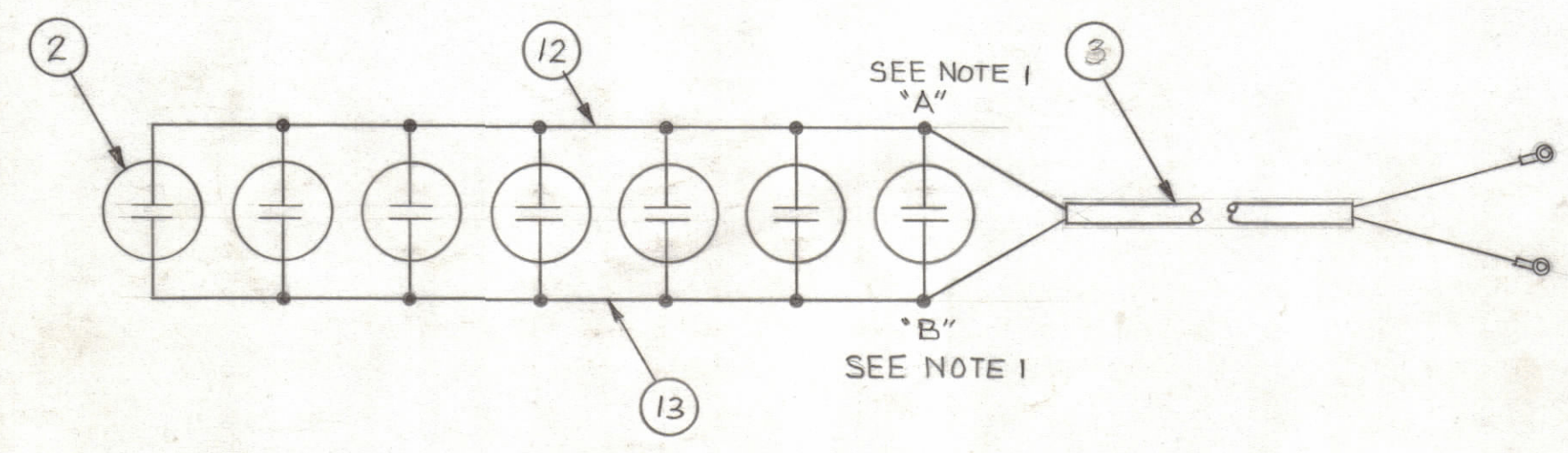
NOTE: ALL DIMENSIONS ARE FOR REFERENCE ONLY

ADD ITEM 14 AFTER DISCARDING EXISTING SCREWS



DISCARD EXISTING SCREWS AND REPLACE WITH ITEM 15

HOOK-UP OF ITEM 2



SCHEMATIC

NOTE 1. ITEM 12 AND 13 TERMINATES AT "A" AND "B".

REQ'D.	ITEM	PART NUMBER	DESCRIPTION	SYMBOL
X	16	BS100	SOLDER, SOFT	
14	15	SCBP0540BC3	SCREW, MACH. BINDER HD.	
14	14	TE112-2	LUG, TERMINAL	
X	13	MWC 14(19)U0	CABLE, INSULATED	BLACK
X	12	MWC 14(19)U9	CABLE, INSULATED	WHITE
1	11	CU-113	CLAMP, CABLE	
1	10	PO 162	END FITTING, CABLE ENTRY	
1	9	PO 161	END FITTING, BLANK	
1	8	PO 163-2.375	COVER, CONNECTOR STRIP	
1	7		-2.00	
3	6		-1.875	
1	5		-10.750	
1	4	PO 163-3.750	COVER, CONNECTOR STRIP	
1	3	CA-588-1	CABLE, AC RUBBER SHEATHED	BLACK
7	2	JJ 170	RECEPTACLE, TWIST LOCK, AC	J502 THRU J508
1	1	MS-2306	A.C. STRIP	

LIST OF MATERIAL			
MATERIAL	FINISH	TITLE	SYMBOL
		THE TECHNICAL MATERIEL CORP. MAMARONECK, NEW YORK	
		AX-380 ASSEMBLY (AC POWER STRIP)	
UNLESS OTHERWISE SPECIFIED DIMENSIONS ARE IN INCHES AND INCLUDE CHEMICALLY APPLIED OR PLATED FINISHES		DRAWN M. TANTILLO DATE 7-17-62	FINAL APPROVAL BP DATE 7/17/62
TOLERANCES DECIMALS .X ± .05 .XX ± .01 .XXX ± .005		CHECKED John C. Biele DATE 7/17/62	ELCCT. DES. R. KOHN DATE 7/17/62
THE CONTENTS OF THIS DRAWING ARE THE EXCLUSIVE PROPERTY OF THE TECHNICAL MATERIEL CORP. ITS UNAUTHORIZED USE OR REPRODUCTION IN WHOLE OR IN PART IS STRICTLY FORBIDDEN.		MECH. DES. R. KOHN DATE 7/17/62	A-3046 SHEET REV. LTR.

RAK-12		
Q'TY./UNIT	MODEL USED ON	ASS'Y. NO.
SCALE	CODE	

NOTES

A-3046