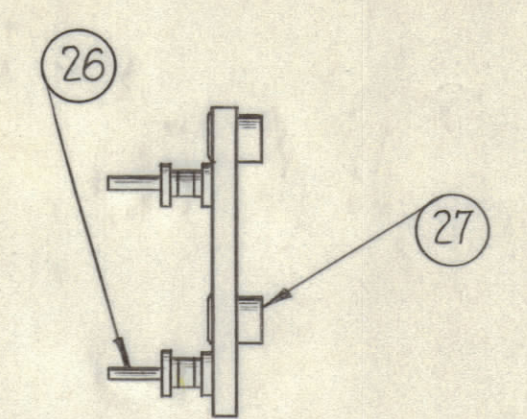
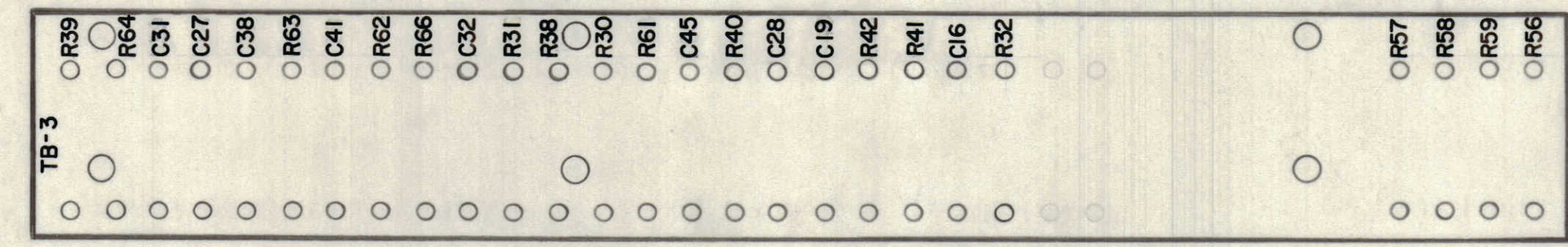


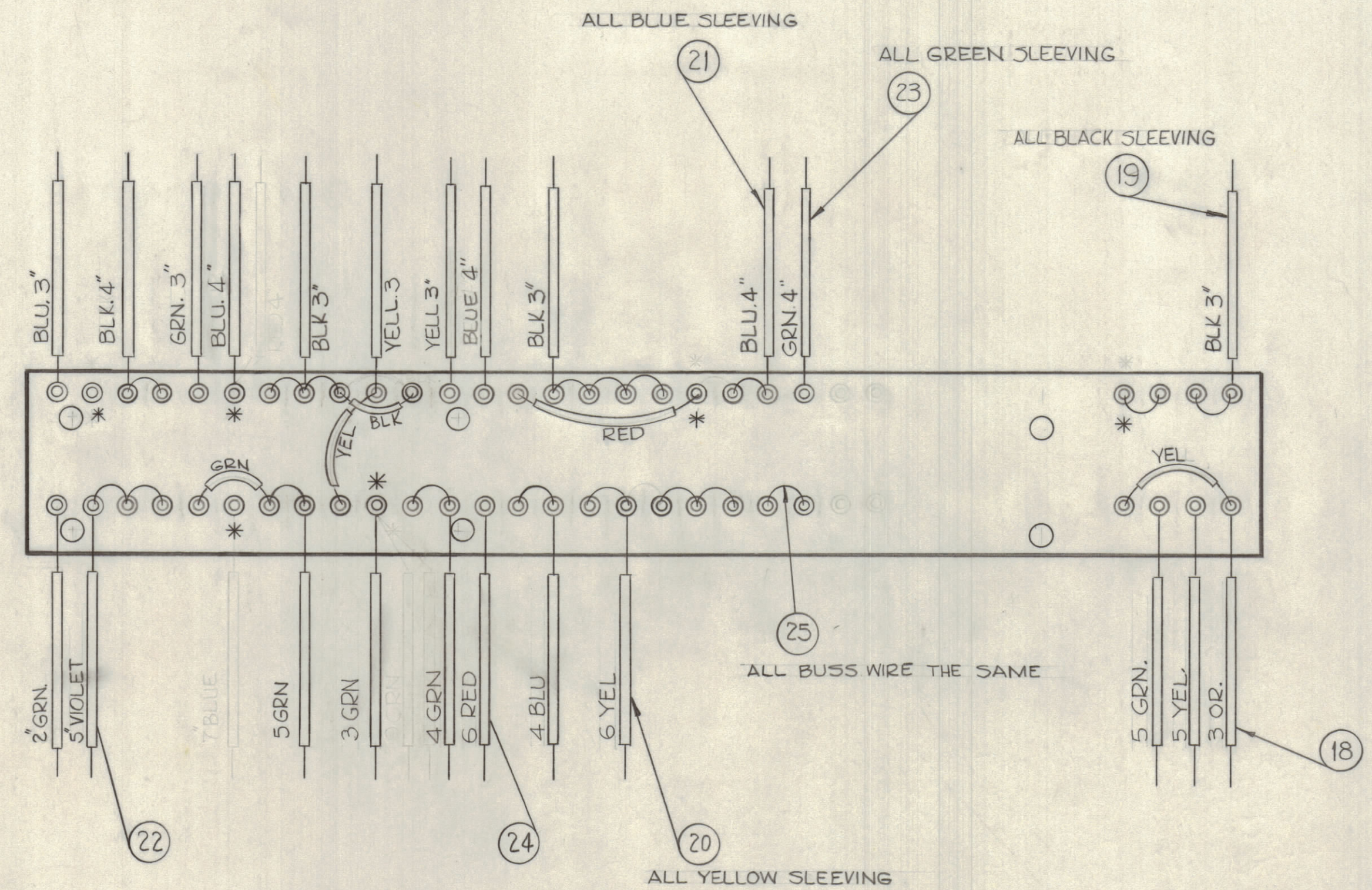
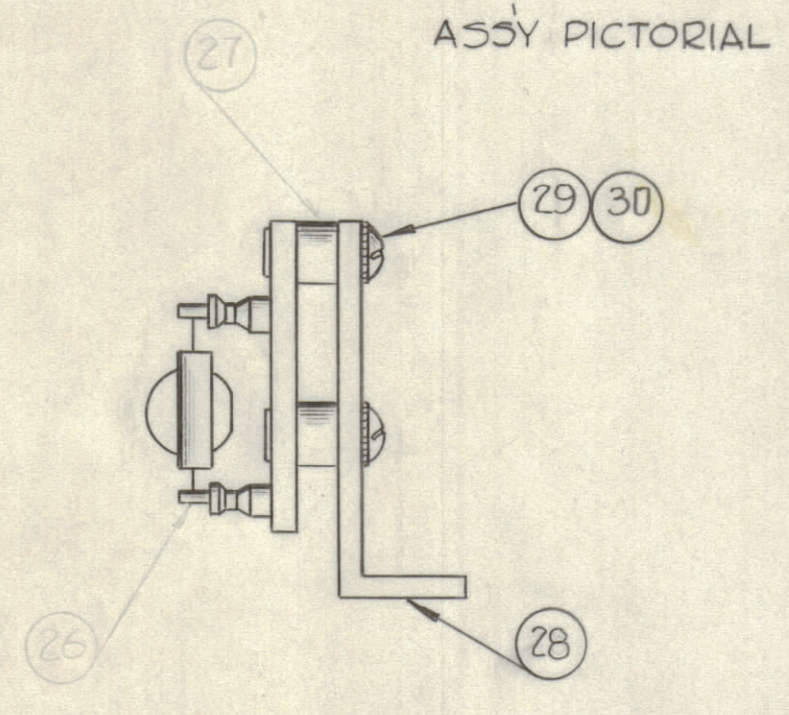
MACHINING - A-3036-1
MATERIAL 1/8 PHENOLIC, FINISH NATURAL



SUB. ASSY A-3036-3



STAMPING - A-3036-2
STAMPING TO BE 1/8 HIGH BLACK GOTHIC.



ELECTRICAL A-3036-4
ASSY
* DO NOT SOLDER THESE CONNECTIONS
NOTE - ALL LENGTHS INDICATED ARE SLEEVING LENGTHS ALL BUSS WIRE WILL BE 1" LONGER

THE CONTENTS OF THIS DRAWING ARE THE EXCLUSIVE PROPERTY OF THE TECHNICAL MATERIEL CORP. ITS UNAUTHORIZED USE OR REPRODUCTION IN WHOLE OR IN PART IS STRICTLY FORBIDDEN.

REQ. ITEM	PART NO.	DESCRIPTION	SYMBOL
1	33	RC20GF561K	RESISTOR, FIXED, COMP. R31
1	32	RC20GF470K	RESISTOR, FIXED, COMP. R38
1	31	RC20GF121K	RESISTOR, FIXED, COMP. R30
6	30	LWEO6MRN	LOCKWASHER, EXTERNAL TOOTH
6	29	SCBS0632BN6	SCREW, MACHINE
3	28	MS-1321	ANGLE BRACKET
6	27	TE-108-8	STANDOFF, RIVET TYPE
52	26	TE-109-3	TERMINAL, LUG
X	25	WL-100-7	WIRE, BUSS-BAR
X	24	PX-104-3-.034	INSULATION, SLEEVING RED
X	23	-4	Green
X	22	-9	Violet
X	21	-6	Blue
X	20	-2	Yellow
X	19	-1	Black
X	18	PX-104-8-.034	INSULATION, SLEEVING Orange
17			
1	16	RC32GF822K	RESISTOR, FIXED, COMP. R-58
1	15	CE1052550	CAPACITOR, ELECTROLYTIC C-28
1	14	CM35B103R	CAPACITOR, MICA C-41
1	13	CM20E102G	CAPACITOR, MICA C-38
4	12	CC100-32	CAPACITOR, DISC. C-27, 31
2	11	CC100-16	CAPACITOR, DISC. C-16, 32
1	10	RC32GF182K	RESISTOR, FIXED, COMP. R-63
1	9	RC20GF471K	R-61
1	8	472K	R-64
3	7	104K	R-39, 39
1	6	103K	R-32
1	5	221K	R-40
1	4	332K	R-42
2	3	222K	R-41, 66
1	2	473K	R-57
1	1	RC20GF101K	RESISTOR, FIXED, COMP. R-59

SYM	ZONE	DESCRIPTION	DATE	CH. NO.	DRAFTS	CHECKER	ENG. APP.
		UNLESS OTHERWISE SPECIFIED:	SCALE				
		DIMENSIONS ARE IN INCHES	MAXIMUM ALLOWABLE TOLERANCES HAVE BEEN DETERMINED AND ANY DEVIATIONS WILL BE CAUSE FOR REJECTION. REMOVE ALL BURRS & SHARP EDGES				
		TOLERANCES ON FRACTIONS ± 1/64	DECIMALS ± .005		ANGLES ± 1/2°		

1	AFC, 1B			8-4-16
REQ. PER UNIT	MODEL	SECTION	ASSY. NO.	DATE
USED ON				

MATERIAL		THE TECHNICAL MATERIEL CORP. MAMARONECK, NEW YORK	
PHENOLIC		TERMINAL BOARD #3 ASSY	
MATERIAL		MATERIAL	
XXXXP	R 14770	WAP	
DRAWN	CHECKED	FINAL APPROVAL	
		A-3036	
FINISH & SPEC. NO.		ELEC. DES. APP.	MECH. DES. APP.
		SHEET OF	