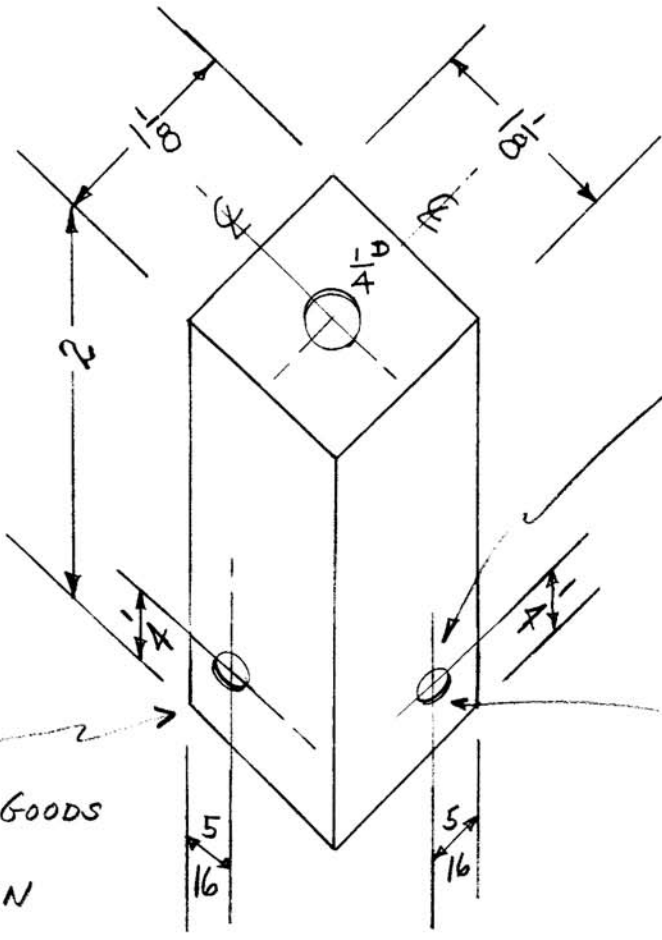


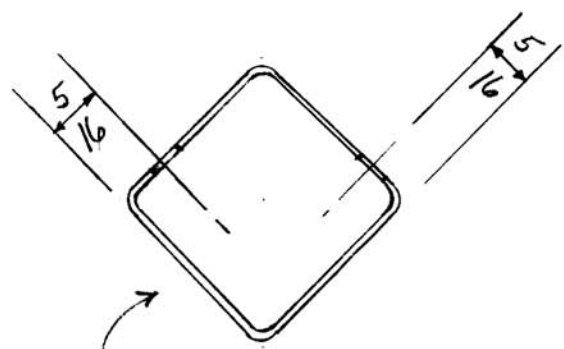
A-387



30 DRILL
2 HOLES

MOUNT
SPAD LUGS
INSIDE OF CAN.

ALUMINUM GOODS
MFG. Co.
SHIELD CAN
03090
BX-102-2



BOTTOM VIEW OF CAN
SHOWING DIMENSIONS OF # 30 DRILL HOLES

- NOTE: 1. CUT CAN 2" LONG.
2. MOUNT TWO SPAD LUGS SC-106-1 WITH
EYELETS EY-100-1 INSIDE OF CAN.

ONE REQ'D PER UNIT
FINISH: GRAY PAINT NAVY SPEC 52E4

DATE 9/24/51	CRYSTAL PEAKING COIL SHIELD CAN	THE TECHNICAL MATERIEL CORPORATION		
DRN. P.B.				MAMARONECK, NEW YORK
CHKD. 0976		MODEL DVM	SHEET	OF
APPD. <i>[Signature]</i>			NO. A-387	