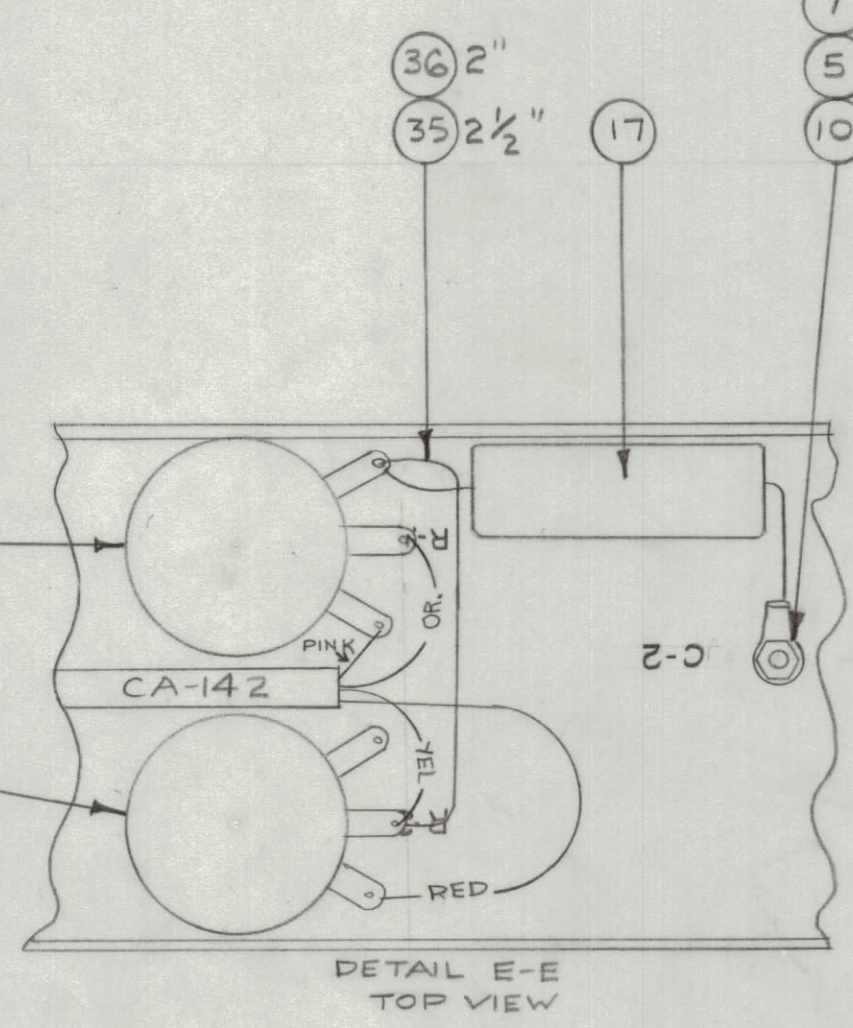
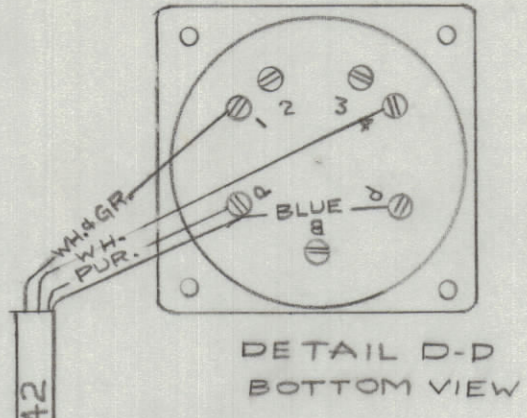
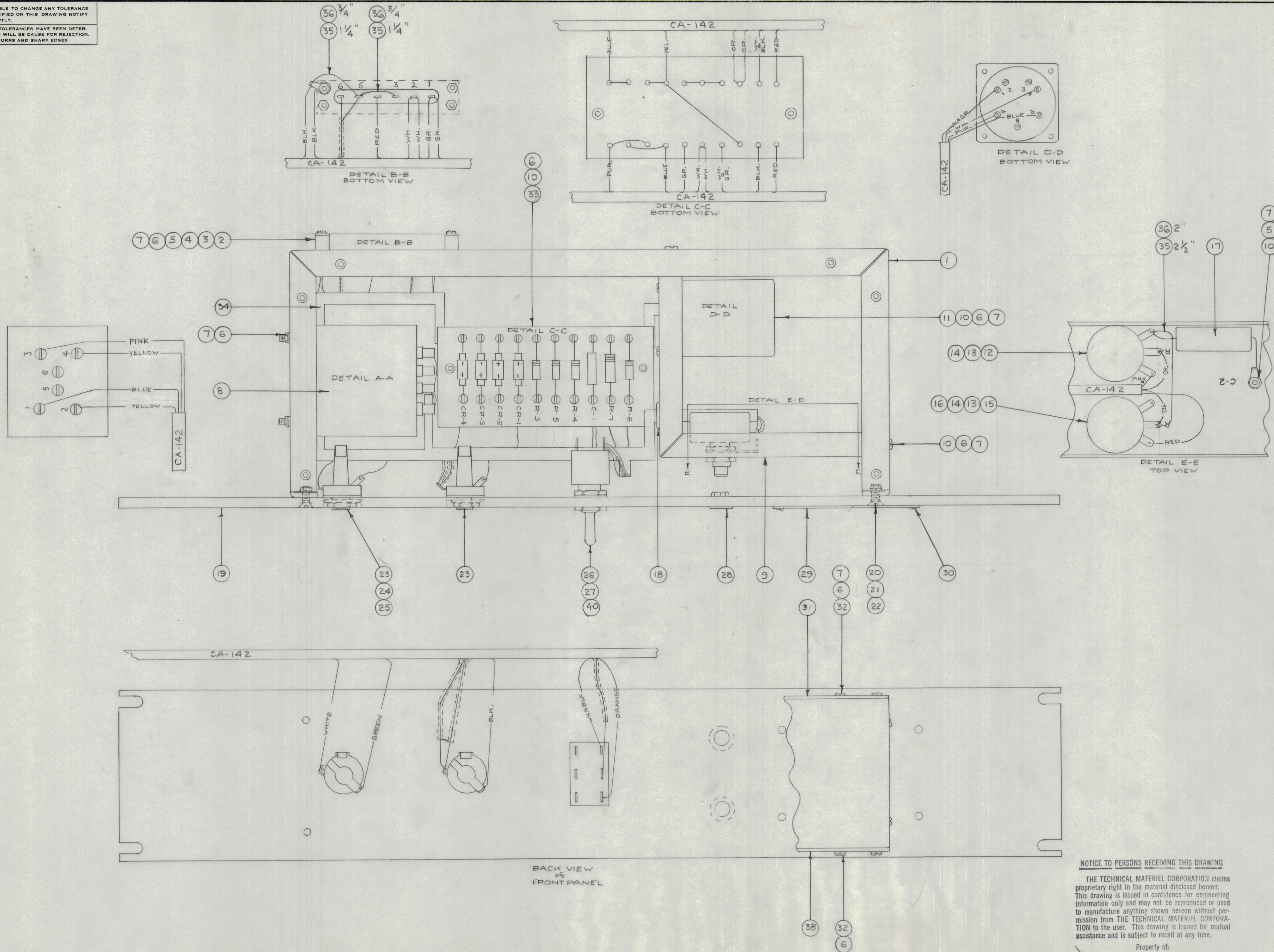


IF IT IS FOUND DESIRABLE TO CHANGE ANY TOLERANCE OR OTHER DETAIL SPECIFIED ON THIS DRAWING NOTIFY THE PURCHASER PROMPTLY.
 MAXIMUM ALLOWABLE TOLERANCES HAVE BEEN DETERMINED AND DEVIATIONS WILL BE CAUSE FOR REJECTION. REMOVE ALL BURRS AND SHARP EDGES.



1	40	WA-100	RING, LOCKING
1	39	CK-137	SCHEMATIC DIAGRAM
1	38	MS-189	TOP COVER
X	37	BS-100	SOLDER, SOFT
3 1/2	36	PX-100-1, 034	INSULATION, SLEEVING
5	35	WL-100-7	WIRE: BUSS BAR
1	34	CA-142	CABLE - XFD-1

1	33	A-320	TERMINAL BOARD ASS'Y.
12	32	SCBS0632BC4	SCREW, MACHINE
1	31	MS-190	BOTTOM COVER
4	30	SC-110-5	SCREW, THREAD CUTTING
1	29	NP-103-14	NAME PLATE
2	28	HB-101-2	PLUG BUTTON
1	27	LWISOLRC	LOCKWASHER, INT.
1	26	ST22N	SWITCH, TOGGLE
1	25	WA-101-10	WASHER, FIBRE, FLAT
1	24	WA-102-8	WASHER, FIBRE, SHOULDER
2	23	JJ-034	JACK, TELEPHONE
4	22	NTH0832BC8	NUT, HEX.
4	21	LWS08LRC	LOCKWASHER, SPRING
4	20	SCFS0832BC6	SCREW, MACHINE
1	19	MS-172	FRONT PANEL
1	18	EY-102-2	GROMMET, ELASTIC
1	17	CN-100-4	CAPACITOR, FIXED
1	16	TE-111-2	LUG, SOLDER
1	15	RV4ATS4502A	RESISTOR, VARIABLE
4	14	NTH3732BC16	NUT, HEX.
2	13	LW137LSC	LOCKWASHER, INT.
1	12	RV4ATS253A	RESISTOR, VARIABLE
1	11	TF-114	TRANSFORMER, INPUT
11	10	SCBS0632BC5	SCREW, MACHINE
1	9	MS-188	MOUNTING BRACKET
1	8	FX-100	FILTER
23	7	NTH0632BC8	NUT, HEX.
29	6	LWS06LRC	LOCKWASHER, SPRING
2	5	TE-104-2	LUG, SOLDER
4	4	SCBS0632BC8	SCREW, MACHINE
2	3	MS-154-1	SADDLE PLATES
1	2	TM-100-6	TERMINAL STRIP
1	1	A-321	CHASSIS ASS'Y.

NOTICE TO PERSONS RECEIVING THIS DRAWING

THE TECHNICAL MATERIEL CORPORATION claims proprietary right in the material disclosed hereon. This drawing is issued in confidence for engineering information only and may not be reproduced or used to manufacture anything shown hereon without permission from THE TECHNICAL MATERIEL CORPORATION to the user. This drawing is loaned for mutual assistance and is subject to recall at any time.

Property of:
THE TECHNICAL MATERIEL CORPORATION
 MAMARONECK, NEW YORK

REQ. ITEM	PART NO.	DESCRIPTION	SYMBOL
THE TECHNICAL MATERIEL CORP. MAMARONECK, NEW YORK			
MAIN ASS'Y.			
XFD			
16 12-26-52			
DRAWN		ELEC. DES. APP.	MECH. DES. APP.
HEAT TREAT. SPEC.		CHECKED	FINAL APPROVAL
A-322			

XFD-1	160	12-26-52
MODEL	PROJECT NO.	DATE
USED ON		

ISSUE ITEM	CHANGED FROM	DATE	CN. NO.	DRAFTS	CHECKER	ENG. APP.
TOLERANCES						
SCALE: 1/8"						
ALL OTHERS	DEC. DIM. ± FRAC. DIM. ± ANGULAR DIM. ±	DRILL, PUNCH, COMMERCIAL STOCK SIZES AND MANUFACTURERS TOLERANCES ARE NOT INCLUDED.				