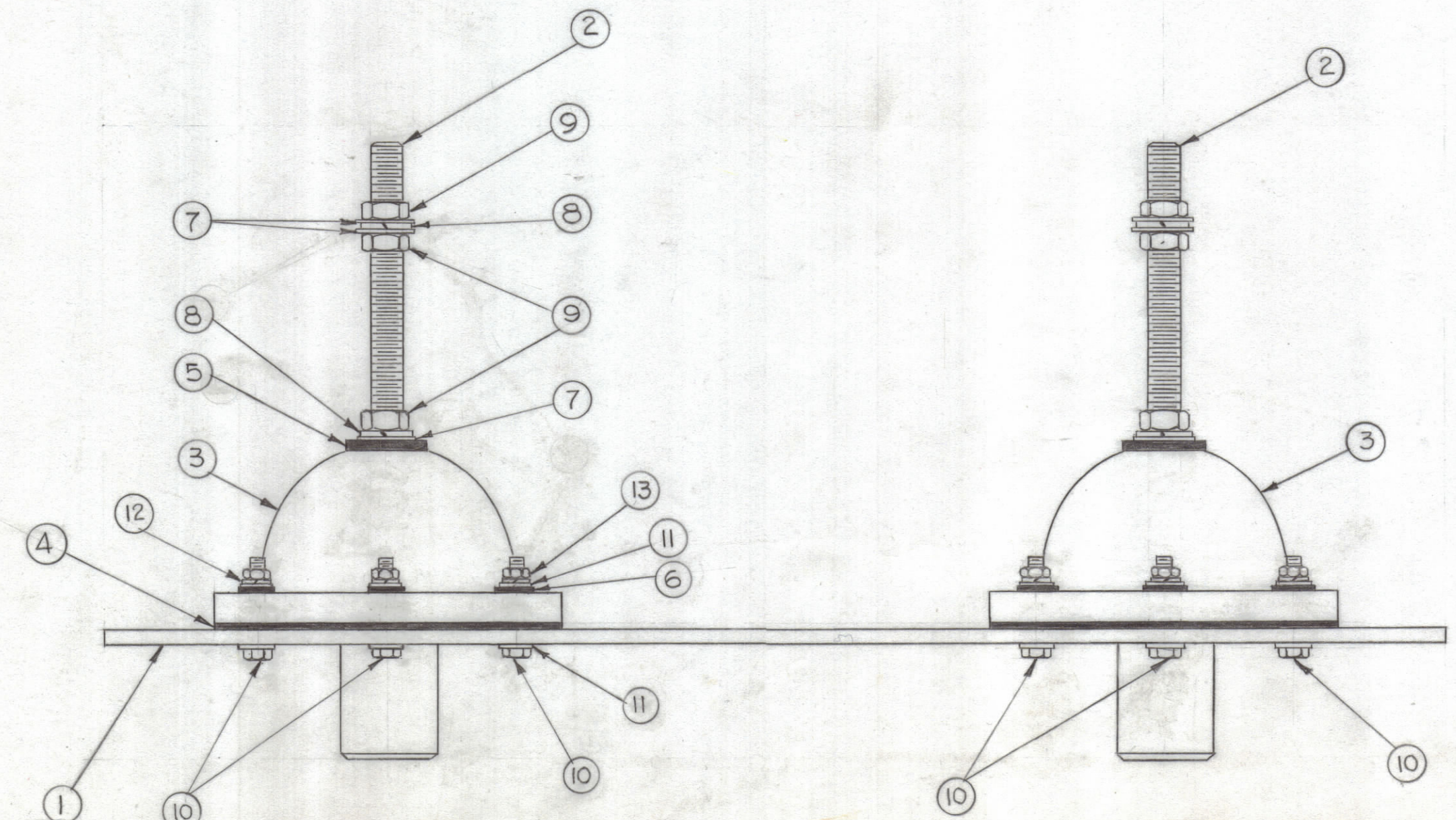
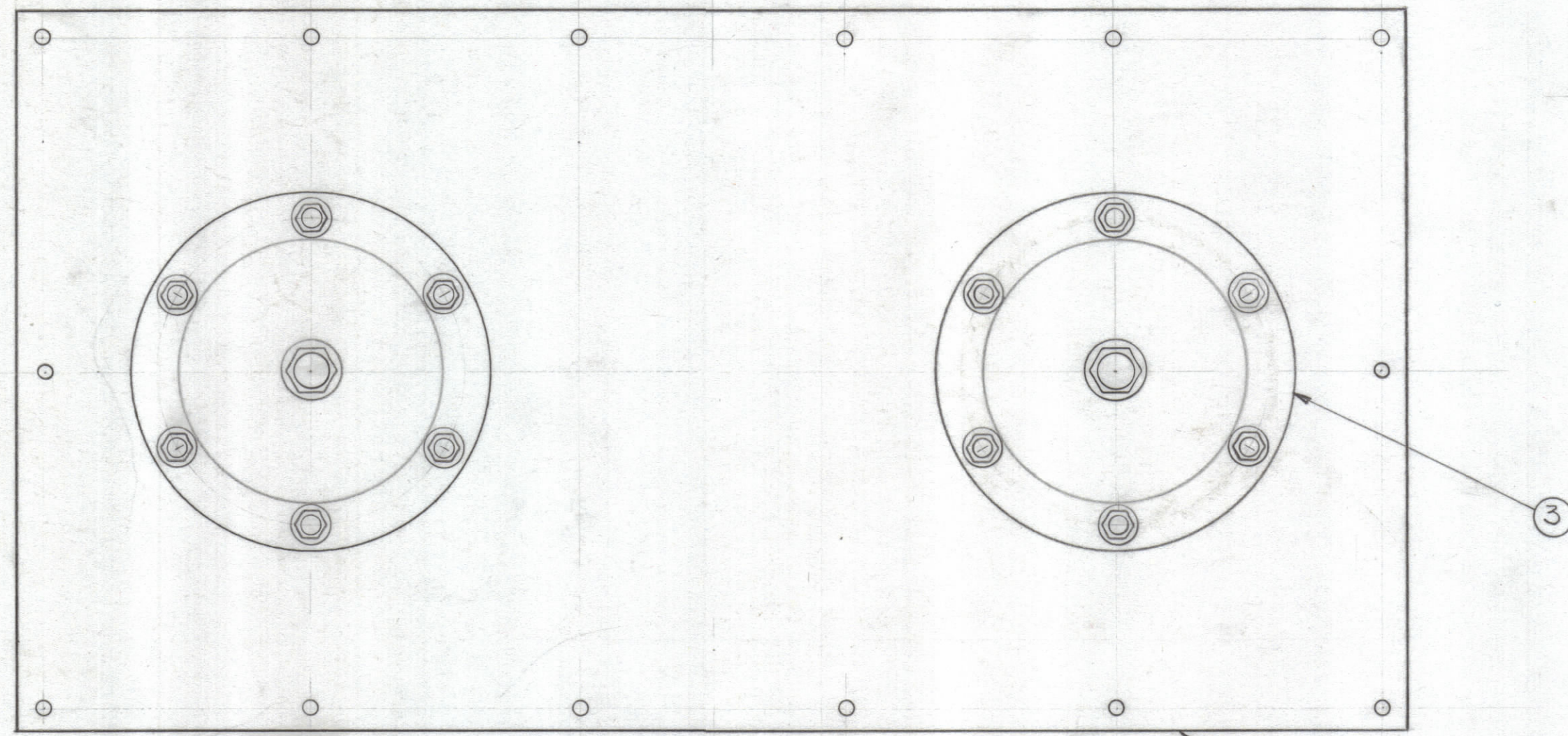


REVISIONS							
ZONE	SYM	DESCRIPTION	DATE	E.M.N. NO.	DRAFT	CHKD	APPD
	A	ADD SYM'S E8115 & E8116 TO ITEM 2	3-1-67	17880	RME	<i>[Signature]</i>	<i>[Signature]</i>



REQ'D.	ITEM	PART NUMBER	DESCRIPTION	SYMBOL
12	13	NTH2520BN14	NUT, HEX	
12	12	LW525MRN	WASHER, LOCK, SPLIT	
24	11	FW25HBN	WASHER, FLAT	
12	10	5CHH2520BN20	BOLT, MACHINE, HEX. HEAD	
6	9	NTH5020BN24	NUT, HEX	
4	8	LWS50MRN	WASHER, LOCK, SPLIT	
6	7	FW50HBN	WASHER, FLAT	
12	6	GA 104	GASKET, NEOPRENE	
2	5	GA 100	GASKET, NEOPRENE	
2	4	GA 139	GASKET, NEOPRENE	
2	3	NS 123	INSULATOR, BOWL ED BOWL TYPE	
2	2	AX 223	CONTACT ASSY, BAL. OUTPUT	E8115 E8116
1	1	LD 783/PX 528	BOARD, BAL. OUTPUT	

F. BUDETTI LIST OF MATERIAL			
MATERIAL		THE TECHNICAL MATERIEL CORP. MAMARONECK, NEW YORK	
FINISH		TITLE BOARD ASSY, BAL. OUTPUT	
UNLESS OTHERWISE SPECIFIED DIMENSIONS ARE IN INCHES AND INCLUDE CHEMICALLY APPLIED OR PLATED FINISHES		DRAWN G.D.L.	DATE 10-17-63
DECIMALS .X ± .05 .XX ± .01 .XXX ± .005		CHECKED <i>[Signature]</i>	DATE 10/17/63
FRACTIONS ± 1/64 ANGLES ± 0° 30'		ELECT. DES. <i>[Signature]</i>	DATE
TOLERANCES		MECH. DES. <i>[Signature]</i>	DATE 10-17-63
THE CONTENTS OF THIS DRAWING ARE THE EXCLUSIVE PROPERTY OF THE TECHNICAL MATERIEL CORP. ITS UNAUTHORIZED USE OR REPRODUCTION IN WHOLE OR IN PART IS STRICTLY FORBIDDEN.		DATE	DATE
NOTES		DATE	DATE

A-2825 A