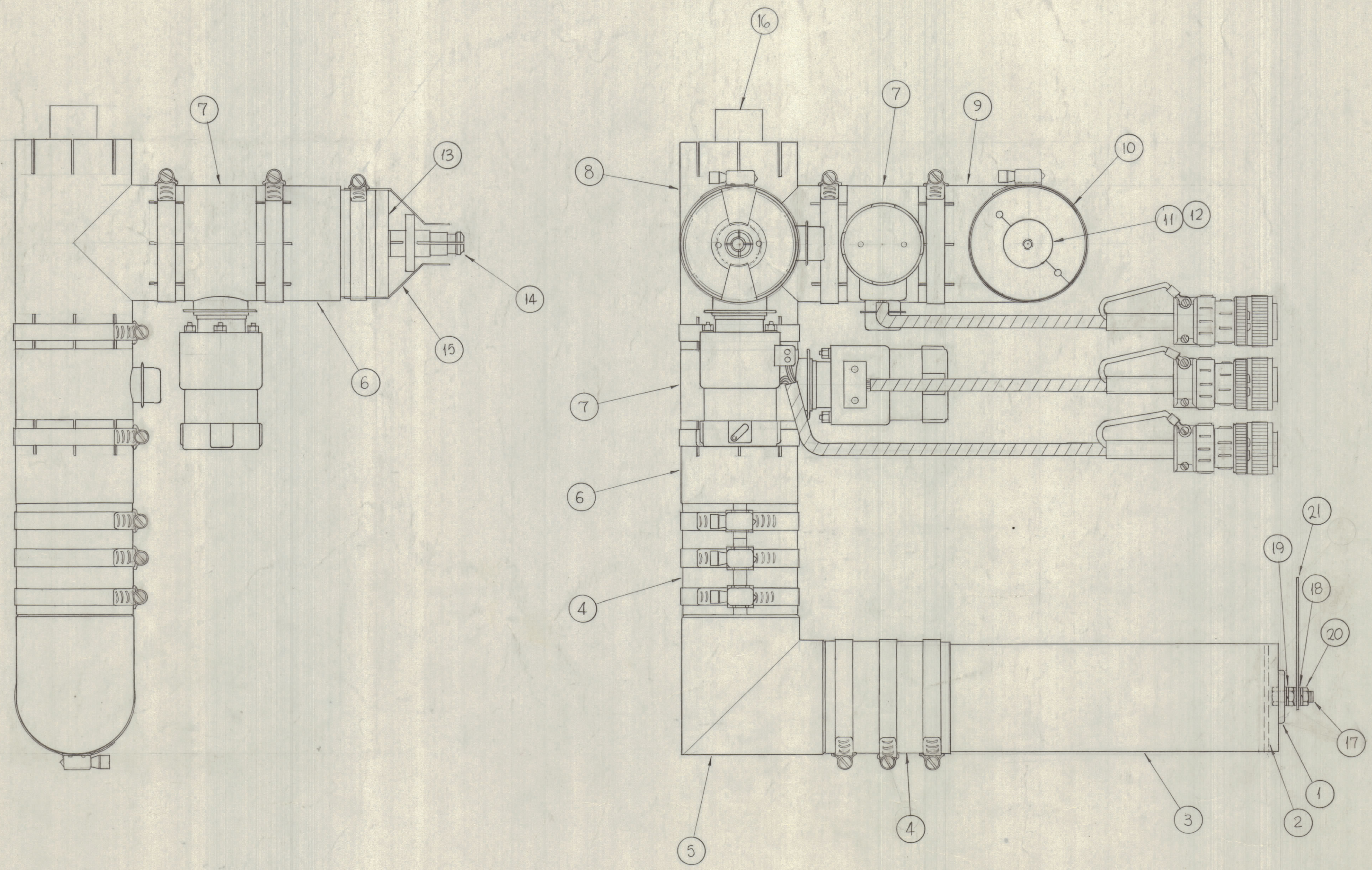


REVISIONS							
ZONE	SYM	DESCRIPTION	DATE	E.M.N. NO.	DRAFT	CHKD	APPD
XI		ITEM #7 WAS B-3260	11-11-63				
O		ORIGINAL RELEASE FOR PRODUCTION	7/28/64		O	A.M.	



NOTE:
CLAMPS ARE SUPPLIED WITH ITEMS:

- (4) (6) (8) (9)

REQ'D.	ITEM	PART NUMBER	DESCRIPTION	SYMBOL
1	21	MS-3284-9	STRAP, CONNECTING	
2	20	NTH3118BN16	NUT, HEX	
2	19	LWS31MRN	LOCKWASHER, SPLIT	
3	18	FW31HBN	WASHER, FLAT	
1	17	SCHH3118BN16	SCREW, HEX HEAD	
1	16	PM-954	ADAPTER, INNER CONDUCTOR	
10	15	MS-3500	STRAP, GROUNDING	
1	14	PO-218-50	CONNECTOR, ELECTRICAL	
1	13	PO-258-50	ADAPTER, INNER CONNECTOR	
1	12	PM-994	CONTACT, ELECTRICAL	
1	11	PO-289-1	CONTACT, ELECTRICAL SPRING	
1	10	PO-270	DUMMY SWITCH SPACER	
1	9	PO-273	SPLIT ELBOW ASS'Y.	
1	8	PO-271	ELBOW, 4WAY	
3	7	A-2751	RL-155 ASS'Y	
2	6	PO-272	ADAPTER SWITCH TO LINE	
1	5	PO-254-50	ELBOW RF TRANSMISSION LINE	
2	4	PO-275-50	COUPLING, UNGASSED	
1	3	PO-256-50-11	LINE, RF TRANSMISSION	
1	2	PX-692-1	SPACER, TEFLON	
1	1	PO-203-50	CONNECTOR, ELECTRICAL	

F. BUDETTI		LIST OF MATERIAL	
MATERIAL	FINISH	THE TECHNICAL MATERIEL CORP. MAMARONECK, NEW YORK	
		TITLE SWITCH MATRIX ASSY	
UNLESS OTHERWISE SPECIFIED DIMENSIONS ARE IN INCHES AND INCLUDE CHEMICALLY APPLIED OR PLATED FINISHES	DRAWN SRG	DATE 9-27-63	FINAL APPROVAL RDC
DECIMALS X ± .05 XX ± .01 XXX ± .005	CHECKED JL	DATE	
FRACTIONS ± 1/64 ANGLES ± 5° 30'	ELECT. DES. JL	DATE 9/16/64	DATE 9/16/64
TOLERANCES		MECH. DES. JL	DATE 9/16/64
THE CONTENTS OF THIS DRAWING ARE THE EXCLUSIVE PROPERTY OF THE TECHNICAL MATERIEL CORP. ITS UNAUTHORIZED USE OR REPRODUCTION IN WHOLE OR IN PART IS STRICTLY FORBIDDEN.		A-2750	
		SHEET	
		REV. LTR.	

NOTES

A-2750 0