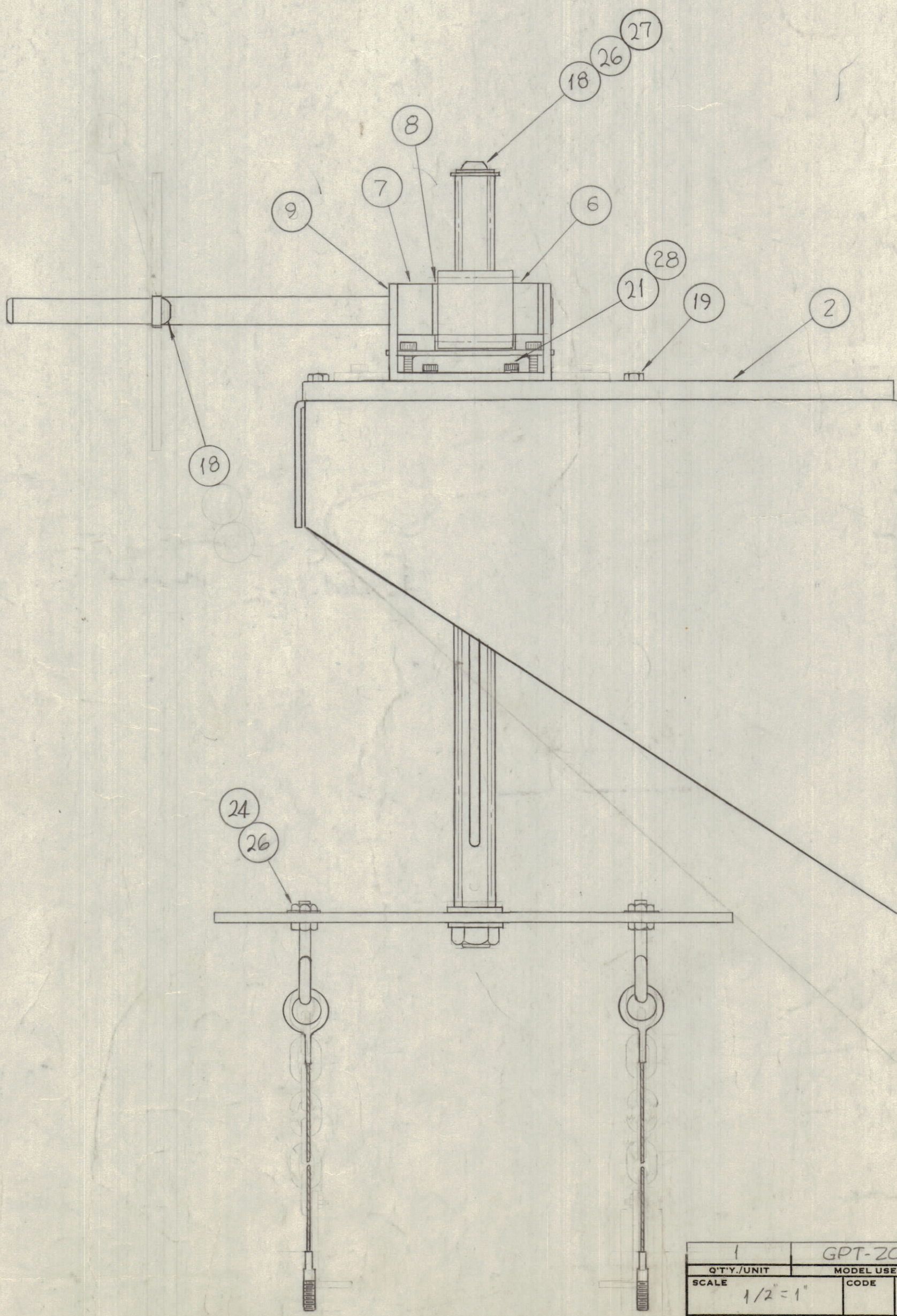
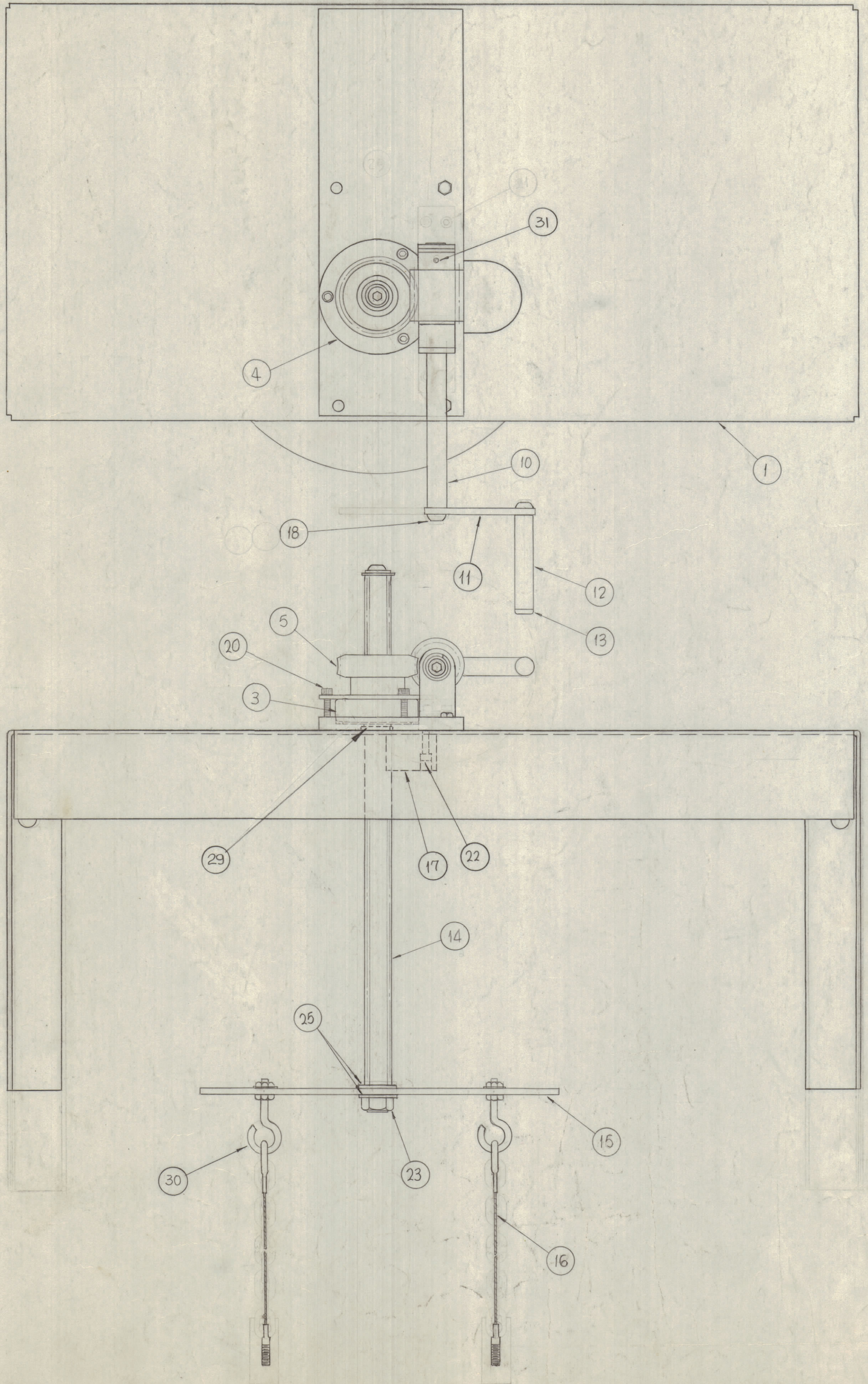


REVISIONS						
ZONE	SYM	DESCRIPTION	DATE	E.M.N. NO.	DRAFT	CHKD
#	X	EXPERIMENTAL RELEASE				
#	X1	ITEMS 28, 29, 30, & 31 ADDED	5-25-64	#		G.D.L.
#	O	ORIGINAL RELEASE FOR PRODUCTION	5-27-64			SRG
C2	A	ITEM (16) WAS PM-144-2	7-13-64	11770		SRG



QTY	ITEM	PART NUMBER	DESCRIPTION	SYMBOL
1	31	PN-114-5	PIN GROOVED	
4	30	SC-161	EYE BOLT	
1	29	WA-142-1	RING RETAINER	
4	28	LWS 10MRN	WASHER LOCK, SPLIT TYPE	
1	27	FW37HBN	WASHER, FLAT	
5	26	FW25HBN	WASHER, FLAT	
2	25	FW50HBN	WASHER FLAT	
8	24	NTH2520BN 14	NUT, HEX	
1	23	NTH5013BN 24	NUT, HEX	
2	22	SC-155-0832SS 14	SCREW CAP CYLINDRICAL, SOCKET HEAD, HEX	
4	21	SC-155-1032SS 8	SCREW CAP CYLINDRICAL, SOCKET HEAD, HEX	
3	20	SC-155-1032SS 14	SCREW, CAP CYLINDRICAL, SOCKET HEAD, HEX	
2	19	SCHH 2520BN 11	SCREW, MACHINE, HEX HEAD	
3	18	SC-159-2520SS 8	SCREW CAP SOCKET HEAD BUTTON	
1	17	PM-1012	KEY, RESTRAINER	
4	16	WI 144-2	CABLE, WIRE ROPE	
1	15	PM-896	PLATE, CHAIN MTG.	
1	14	PM-895	ROD, THREADED	
1	13	PM-897	SHAFT, HANDLE SUPPORT	
1	12	PM-892-3	SPACER	
1	11	PM-893	ARM, HAND CRANK	
1	10	PM-899	SHAFT, GEAR MTG.	
1	9	PM-900	BRACKET, SHAFT SUPPORT	
2	8	PM-892-2	SPACER	
1	7	PM-892-1	SPACER	
1	6	GR-190-2	GEAR, WORM	
1	5	GR-190-1	GEAR, WORM WHEEL	
1	4	PM-894	PLATE, RETAINER	
1	3	BB-130	BEARING, RACE	
1	2	PM-891	PLATE, GEAR MOUNTING	
1	1	MS-3253	CHASSIS, TUBE HOIST	

F. BUDETTI LIST OF MATERIAL			
MATERIAL		THE TECHNICAL MATERIEL CORP. MAMARONECK, NEW YORK	
FINISH		TITLE ASS'Y TUBE HOIST	
QTY/UNIT	MODEL USED ON	DATE	FINAL APPROVAL
SCALE 1/2" = 1"	CODE	DATE	DATE
UNLESS OTHERWISE SPECIFIED DIMENSIONS ARE IN INCHES AND INCLUDE CHEMICALLY APPLIED OR PLATED FINISHES		DRAWN	DATE
THE CONTENTS OF THIS DRAWING ARE THE EXCLUSIVE PROPERTY OF THE TECHNICAL MATERIEL CORP. ITS UNAUTHORIZED USE OR REPRODUCTION IN WHOLE OR IN PART IS STRICTLY FORBIDDEN.		CHECKED	DATE
DECIMALS .XX ± .01 .XXX ± .005	FRACTIONS ± 1/64 ANGLES ± 0° 30'	ELECT. DES.	DATE
		MECH. DES.	DATE
		SHEET	REV. TR.

GPT-300K		
SCALE	CODE	ASSY. NO.
1/2" = 1"		

NOTES

A-2706 A