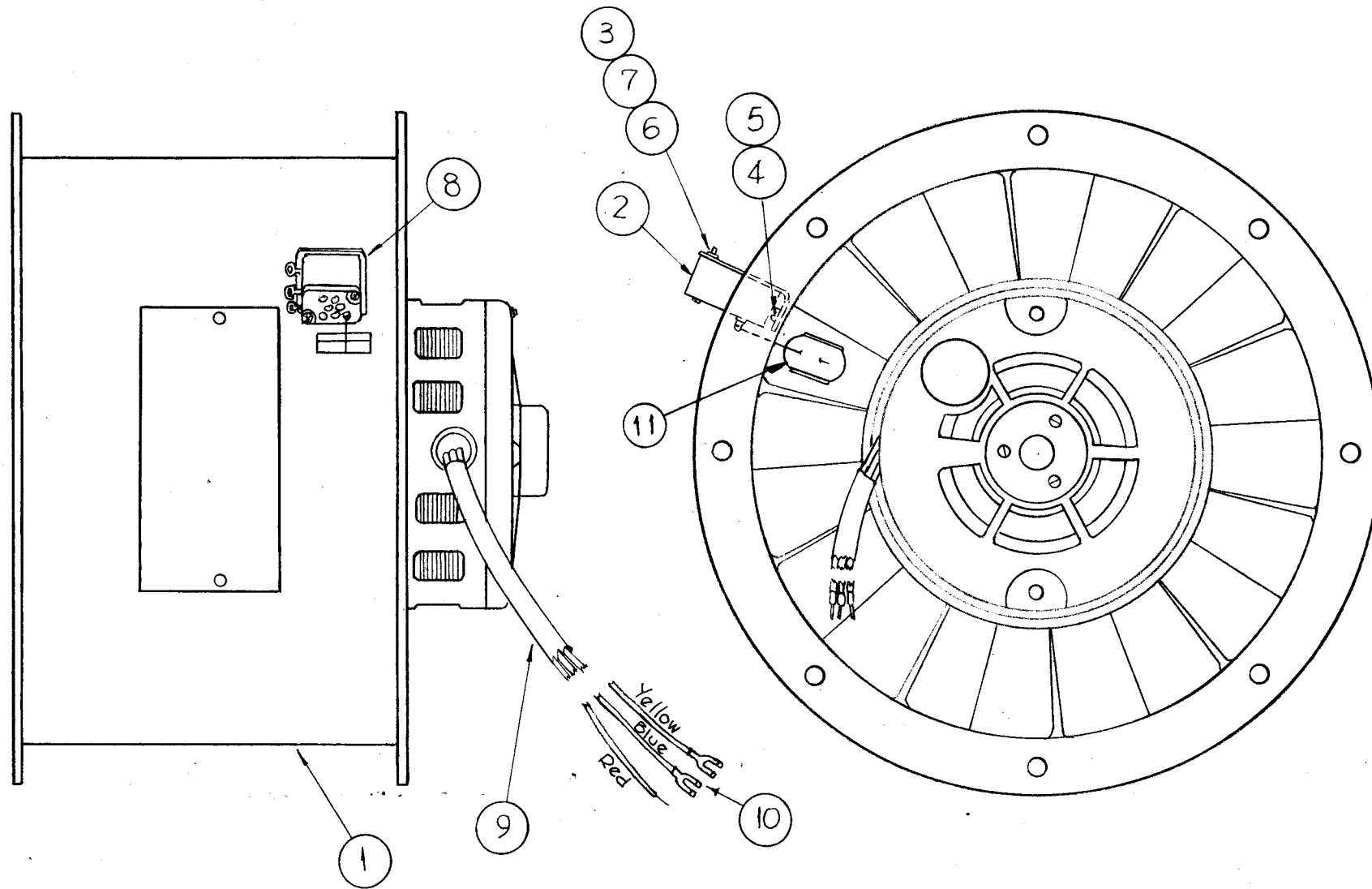


A-2702

THE CONTENTS OF THIS DRAWING ARE THE EXCLUSIVE PROPERTY OF THE TECHNICAL MATERIEL CORP. ITS UNAUTHORIZED USE OR REPRODUCTION IN WHOLE OR IN PART IS STRICTLY FORBIDDEN.



1	11	PO168-G	ADPT, SW ACTR	
2	10	TE-120-2	LUG, SPADE	
0-10	9	PX-100-1-.187	INSULATION, SLEEVING	BLACK
1	8	MS-3135	BRACKET, SWITCH MTG.	
2	7	NTH044BNG	NUT, HEX	
2	6	LWS04MRN	LOCKWASHER, SPLIT	
2	5	LWS06MRN	LOCKWASHER, SPLIT	
2	4	SCBPO632BNG	SCREW, MACHINE	
2	3	SCBPO440BM4	SCREW, MACHINE	
1	2	SW-252	SWITCH, AIRFLOW	
1	1	BL-116	AXIVANE, FAN	

REQ.	ITEM	PART NO.	F. BUDETTI	DESCRIPTION	SYMBOL
STOCK SIZE			THE TECHNICAL MATERIEL CORP. MAMARONECK, NEW YORK FAN SUB-ASS'Y VANEAXIAL		
MATERIAL					
TYPE & TEMPER		HEAT TREAT. SPEC.	DRAWN	CHECKED	FINAL APPROVAL
FINISH & SPEC. NO.		ELEC. DES. APP.	MECH. DES. APP.	A-2702	

ORIGINAL RELEASE	9/8/69					
X1 ADD. ITEM 11 & CALL OUT	3-4-65	HLA				
SYM	DESCRIPTION	DATE	CH. NO.	DRAFTS	CHECKER	ENG. APP.
UNLESS OTHERWISE SPECIFIED:		SCALE:				
DIMENSIONS ARE IN INCHES		MAXIMUM ALLOWABLE TOLERANCES HAVE BEEN DETERMINED AND ANY DEVIATIONS WILL BE CAUSE FOR REJECTION.				
TOLERANCES ON FRACTIONS ± 1/64 DECIMALS ± .005 ANGLES ± 1/2°		REMOVE ALL BURRS AND SHARP EDGES				
7	TER-100K				6-20-63	
REQ. PER UNIT	MODEL	SECTION	ASS'Y. NO.	DATE		
USED ON						