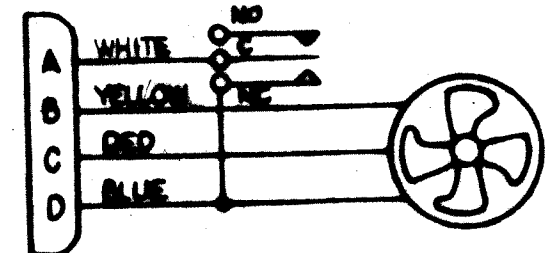
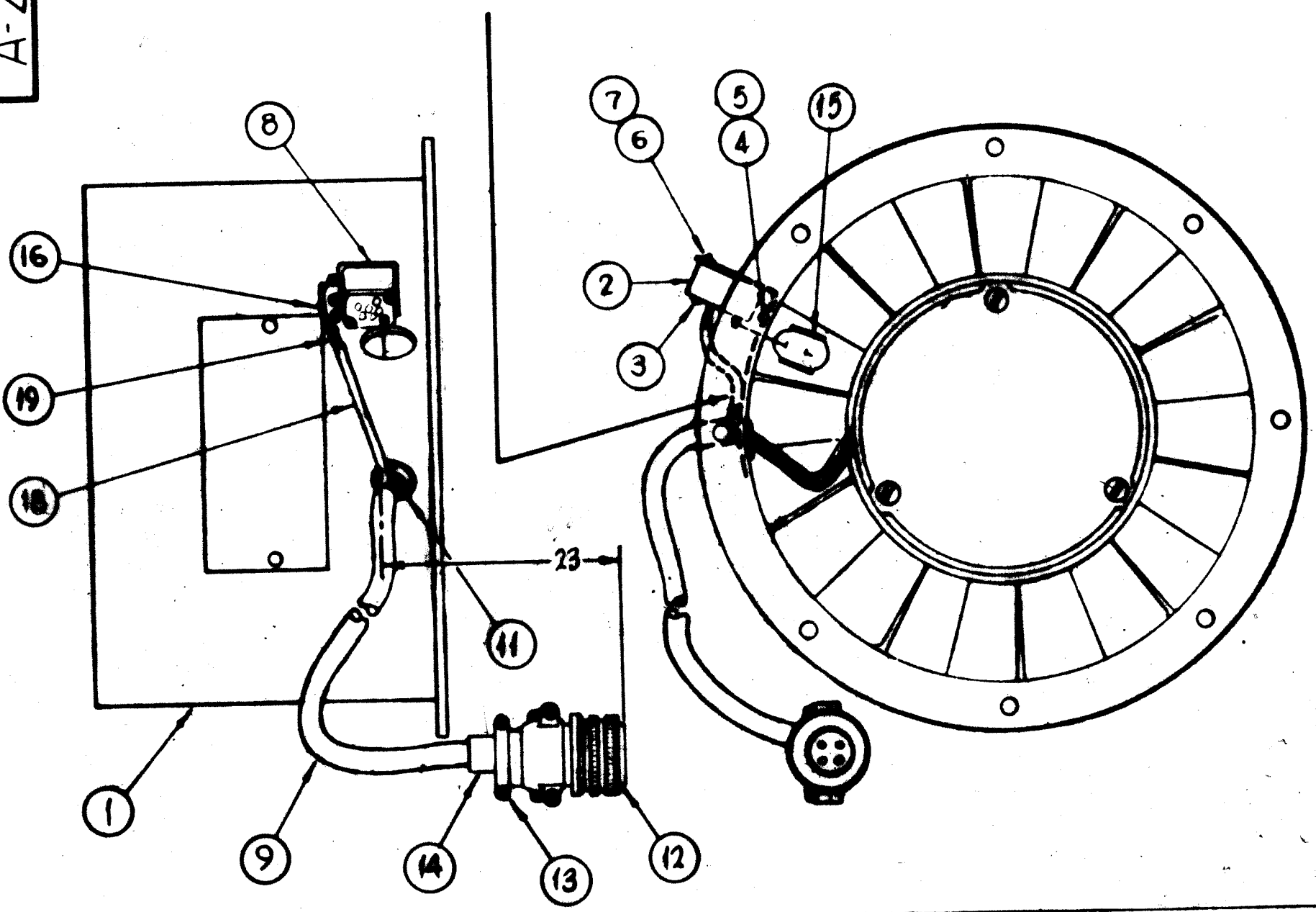


A-2701

THE CONTENTS OF THIS DRAWING ARE THE EXCLUSIVE PROPERTY OF THE TECHNICAL MATERIEL CORP. ITS UNAUTHORIZED USE OR REPRODUCTION IN WHOLE OR IN PART IS STRICTLY FORBIDDEN.

NOTE: WHEN ASSEMBLING ITEMS 16, 18 AND 19. LEAVE SUFFICIENT SLACK SO CABLES LAY FLUSH AGAINST FAN HOUSING.



QTY	ITEM	PART NO.	DESCRIPTION	SYMBOL
X	19	MWC 18(16)U9	CABLE, INSULATED	WHITE
X	18	PX-100-1-1B5	INSULATION, SLEEVING	BLACK
X	17	BS-100	SOLDER, SOFT	
X	16	MWC 18(16)U4	CABLE, INSULATED	YELLOW
1	15	FO-160-6	VANE, AIR SWITCH	
1	14	MS-34206A	BUSHING, CABLE	
1	13	MS-3057-6	CLAMP, CABLE	
1	12	MS-306B MS-2P	CONNECTOR, RECEPTACLE	
1	11	EY-102-5	GROMMET, ELASTIC	
* X	10	PX-100-1-106	SLEEVING, INSULATION	BLACK
X	9	PX-100-1-105	SLEEVING, INSULATION	BLACK
1	8	MS-3135	BRACKET, SWITCH MOUNTING	
2	7	NTH0440N6	NUT, HEX	
2	6	LW5041M8N	LOCKWASHER, SPLIT	
2	5	LW506M8N	LOCKWASHER, SPLIT	
2	4	SCSP00020N6	SCREW, MACHINE	
2	3	SCSP00020N4	SCREW, MACHINE	
1	2	SW-252	SWITCH, AIRFLOW	
1	1	BL-117	AXIVANE, FAN	

* - USED FOR INSULATION FOR PINS A, B, C, D ON ITEM NO. 12 (MS-306B MS-2P)

SYM	DESCRIPTION	DATE	CH. NO.	DRAFTS	CHECKER	DES. APP.
	ORIGINAL RELEASE	2/18/69				
X6	CABLE MFG NOTE ADDED	6-30-64				

UNLESS OTHERWISE SPECIFIED:
DIMENSIONS ARE IN INCHES
TOLERANCES ON DIMENSIONS & ANGLES 1/32"

SCALE: 1/2
MAXIMUM ALLOWABLE TOLERANCES HAVE BEEN DETERMINED AND ANY DEVIATIONS WILL BE CAUSE FOR REJECTION.
REMOVE ALL BURRS AND SHARP EDGES

REQ. PER UNIT	MODEL	SECTION	ASST. NO.	DATE
1	GPT-200K	AVO-17		1-8-62
5	GPT-200K	AVO-17		1-8-62

DES. BY	DATE	CHKD BY	DATE	TYPE & TEMP.	HEAT TREAT. SPEC.	DRWN	CHGDR	FINAL APPROVAL
F. BUDETTI						SRG		SRG
THE TECHNICAL MATERIEL CORP. HAMARONCK, NEW YORK								
FAN, SUB-ASS'Y, VANE AXIAL								
A-2701								Ø