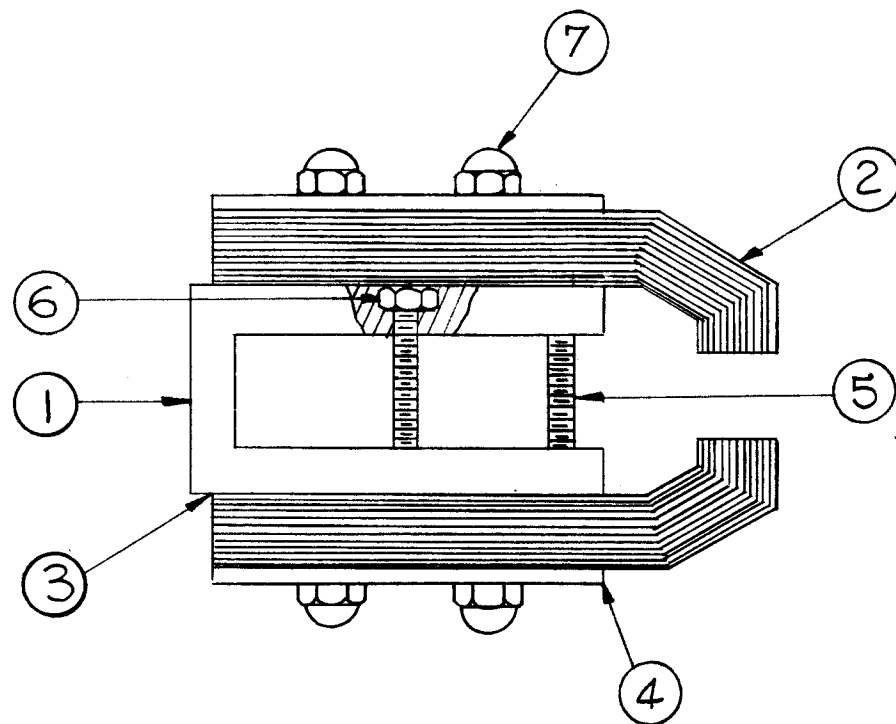


A-2432

THE CONTENTS OF THIS DRAWING ARE THE EXCLUSIVE PROPERTY OF THE TECHNICAL MATERIEL CORP. ITS UNAUTHORIZED USE OR REPRODUCTION IN WHOLE OR IN PART IS STRICTLY FORBIDDEN.



8	7	NTC1032SSL	NUT, CAP	
8	6	NTH034BN6	NUT, HEX	
4	5	SM0348BPI.062	ROD, THREADED, 3-48, 1 1/16 LG	
2	4	MS-2154	LEAF, PRESSURE	
2	3	MS-2294	SHIM, CONTACT	
4	2	MS-2445	CONTACT (Matched Set Of -1 Thru -7)	
1	1	PM-598-2	BRACKET, CONTACT	
REQ.	ITEM	PART NO.	BUDETTI DESCRIPTION	SYMBOL
			THE TECHNICAL MATERIEL CORP. MAMARONECK, NEW YORK	
STOCK SIZE			AX-352 ASSEMBLY	
MATERIAL				
		EG	file	RL
TYPE & TEMPER		HEAT TREAT. SPEC.	DRAWN	CHECKED
			EG	RL
FINISH & SPEC. NO.		ELEC. DES. APP.	MECH. DES. APP.	A-2432

SYM	DESCRIPTION	DATE	CH. NO.	DRAFTS	CHECKER	ENG. APP.
UNLESS OTHERWISE SPECIFIED:		SCALE:				
DIMENSIONS ARE IN INCHES		MAXIMUM ALLOWABLE TOLERANCES HAVE BEEN DETERMINED AND ANY DEVIATIONS WILL BE CAUSE FOR REJECTION.				
TOLERANCES ON FRACTIONS ± 1/64 DECIMALS ± .005 ANGLES ± 1/2°		REMOVE ALL BURRS AND SHARP EDGES				
		GPT-40K	AX-352			4-10-62
		REQ. PER UNIT	MODEL	SECTION	ASS'Y. NO.	DATE
		USED ON				