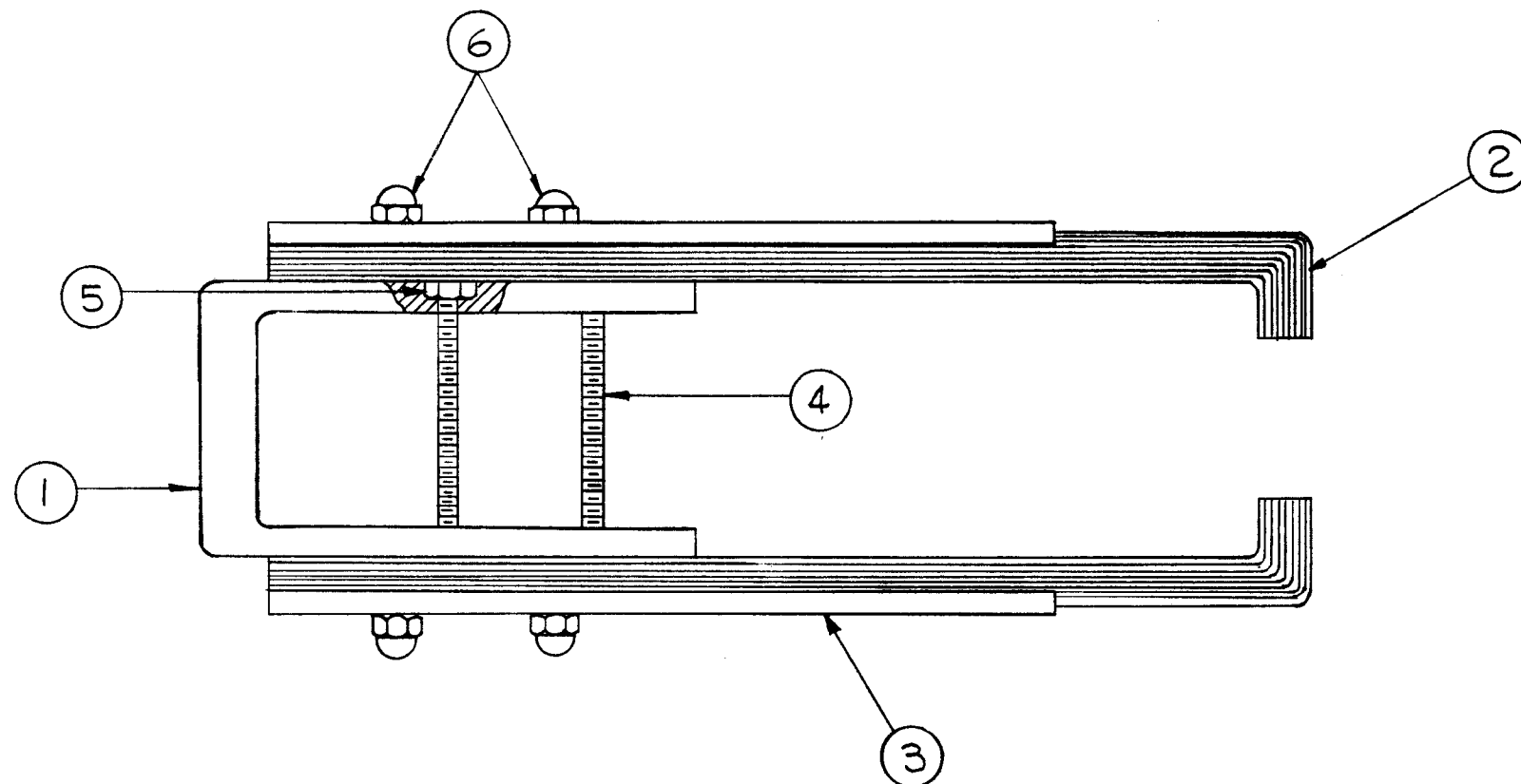


THE CONTENTS OF THIS DRAWING ARE THE EXCLUSIVE PROPERTY OF THE TECHNICAL MATERIEL CORP. ITS UNAUTHORIZED USE OR REPRODUCTION IN WHOLE OR IN PART IS STRICTLY FORBIDDEN.

A-2430



8	6	NTC1032SSL	NUT, CAP
8	5	NTH0348BN6	NUT, HEX
4	4	SM0348BP1062	ROD, THREADED
2	3	MS-2111	LEAF, TENSION
2	2	MS-1980	CONTACT (Matched Set Of -1 Thru -5)
1	1	PM-598-1	BRACKET, WAFER

REQ.	ITEM	PART NO.	BUDETTI DESCRIPTION	SYMBOL
			THE TECHNICAL MATERIEL CORP. MAMARONECK, NEW YORK	
STOCK SIZE			AX-350 ASSEMBLY	
MATERIAL				
		GG	Joe	RR
TYPE & TEMPER		HEAT TREAT. SPEC.	DRAWN	CHECKED
			LB	RR
FINISH & SPEC. NO.		ELEC. DES. APP.	MECH. DES. APP.	A-2430

SYM	DESCRIPTION	DATE	CH. NO.	DRAFTS	CHECKER	ENG. APP.
UNLESS OTHERWISE SPECIFIED:						
DIMENSIONS ARE IN INCHES		SCALE:				
TOLERANCES ON		MAXIMUM ALLOWABLE TOLERANCES HAVE BEEN DETERMINED AND ANY DEVIATIONS WILL BE CAUSE FOR REJECTION.				
FRACTIONS ± 1/64		DECIMALS ± .005				
ANGLES ± 1/2°		REMOVE ALL BURRS AND SHARP EDGES				

GDT-40K	AX-350		4-11-62
REQ. PER UNIT	MODEL	SECTION	ASS'Y. NO.
	USED ON		