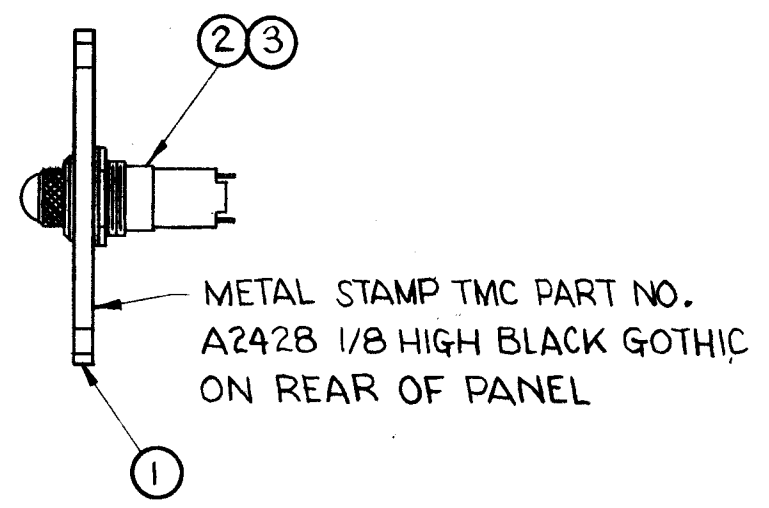
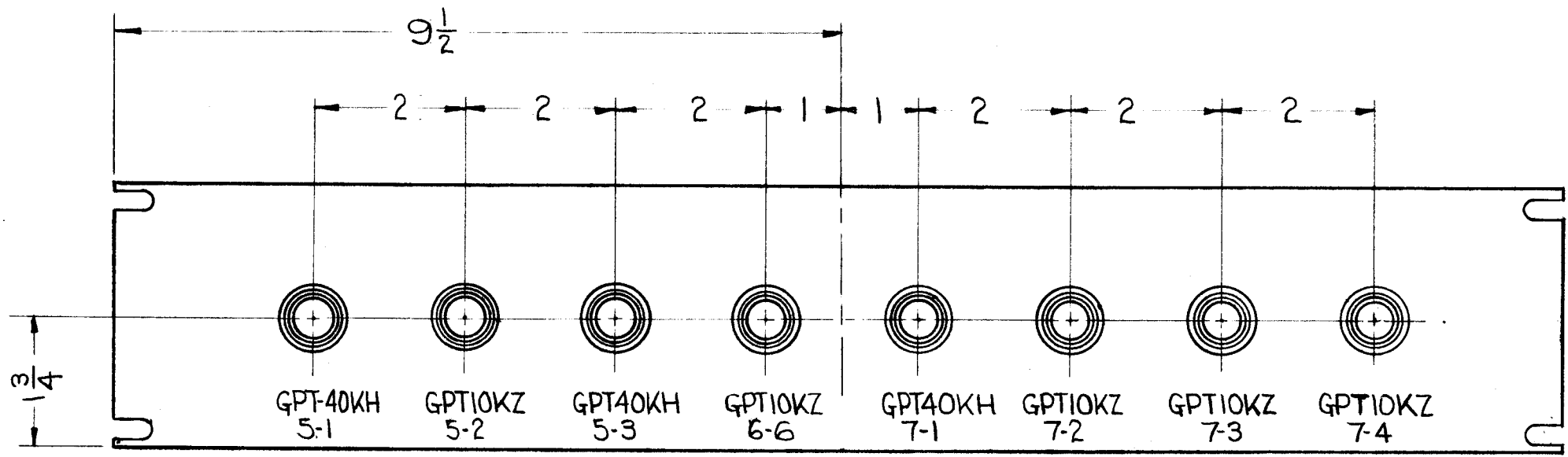


A-2428

THE CONTENTS OF THIS DRAWING ARE THE EXCLUSIVE PROPERTY OF THE TECHNICAL MATERIEL CORP. ITS UNAUTHORIZED USE OR REPRODUCTION IN WHOLE OR IN PART IS STRICTLY FORBIDDEN.



8	3	BI-101-47	LAMP, INCANDESCENT	
8	2	TS-106-1	LIGHT, INDICATOR	
1	1	MS-157-2	PANEL, STANDARD 19"	
REQ.	ITEM	PART NO.	DESCRIPTION	SYMBOL
SEE LIST			THE TECHNICAL MATERIEL CORP. MAMARONECK, NEW YORK	
STOCK SIZE			PANEL, WARNING	
MATERIAL			TRANSMITTER HIGH VOLTAGE	
			R. Turchin	SPM 7/16/69
TYPE & TEMPER			CHECKED	FINAL APPROVAL
HEAT TREAT. SPEC.			A-2428	
FINISH & SPEC. NO.			ELEC. DES. APP.	MECH. DES. APP.

Ø	ORIGINAL RELEASE	7/16/69	W			
SYM	DESCRIPTION	DATE	CH. NO.	DRAFTS	CHECKER	ENG. APP.
UNLESS OTHERWISE SPECIFIED:		SCALE: 1/2" = 1"-0				
DIMENSIONS ARE IN INCHES		MAXIMUM ALLOWABLE TOLERANCES HAVE BEEN DETERMINED AND ANY DEVIATIONS WILL BE CAUSE FOR REJECTION.				
TOLERANCES ON FRACTIONS ± 1/64		REMOVE ALL BURRS AND SHARP EDGES				
DECIMALS ± .005						
ANGLES ± 1/2°						
		REQ. PER UNIT		USED ON		
		SYM2002-6		4-25-62		
		MODEL		SECTION		
		ASS'Y. NO.		DATE		