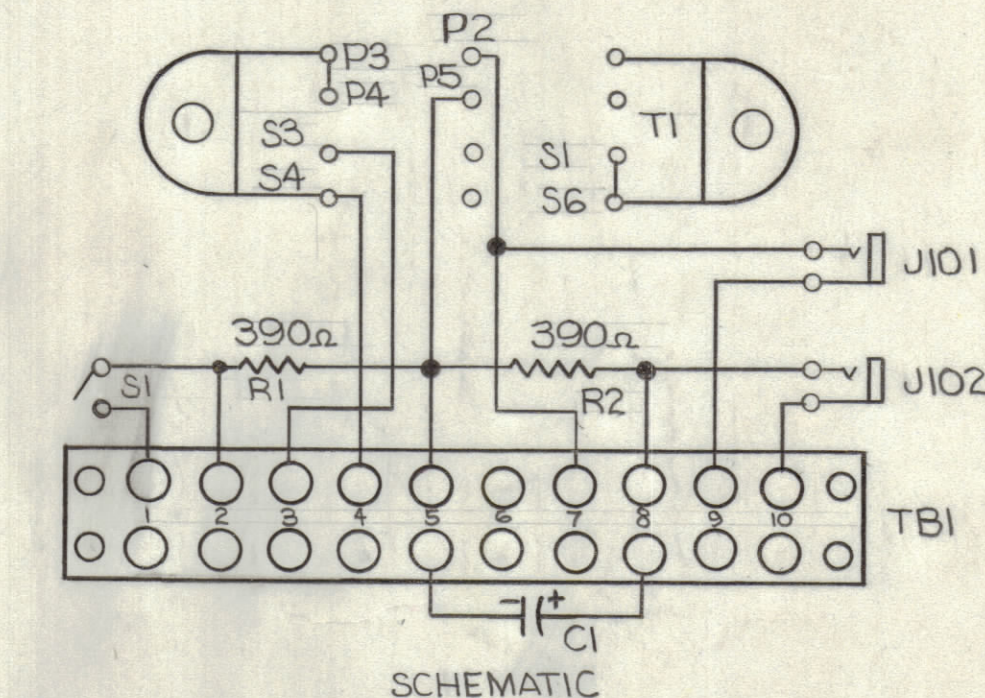
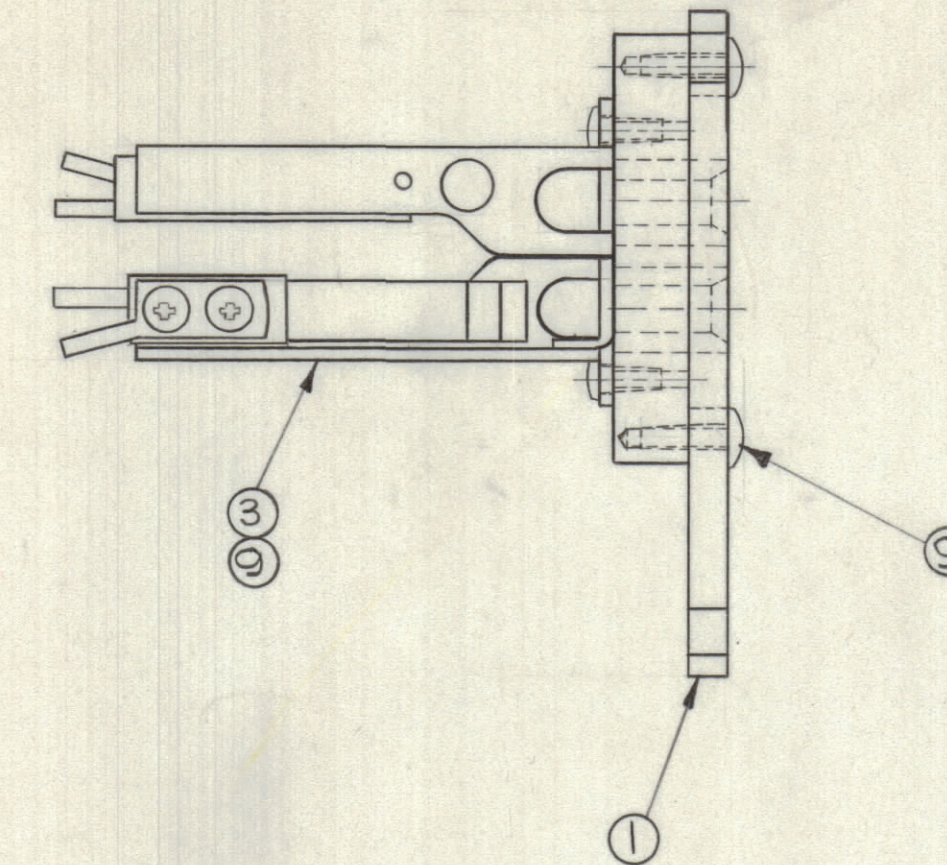
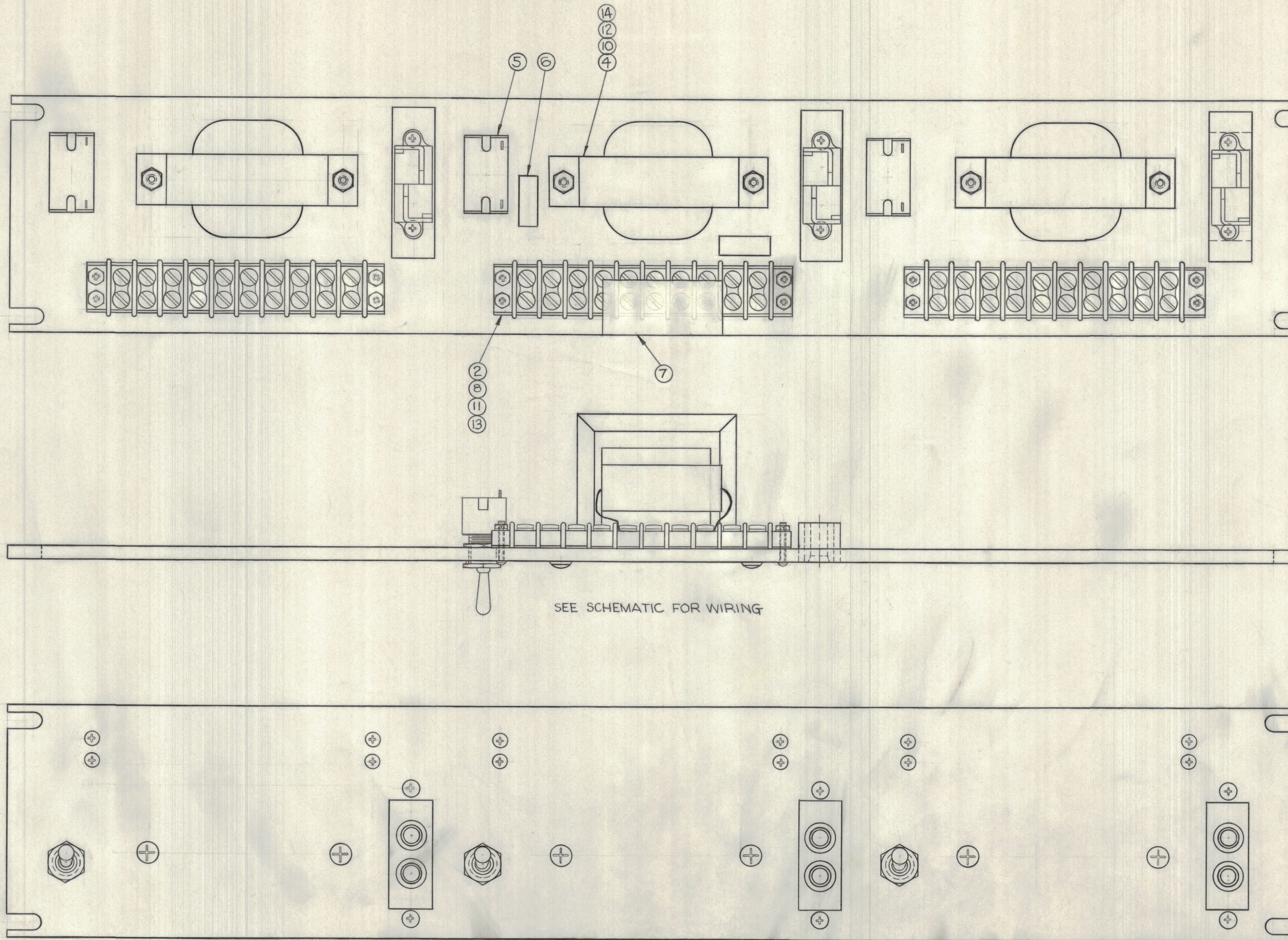


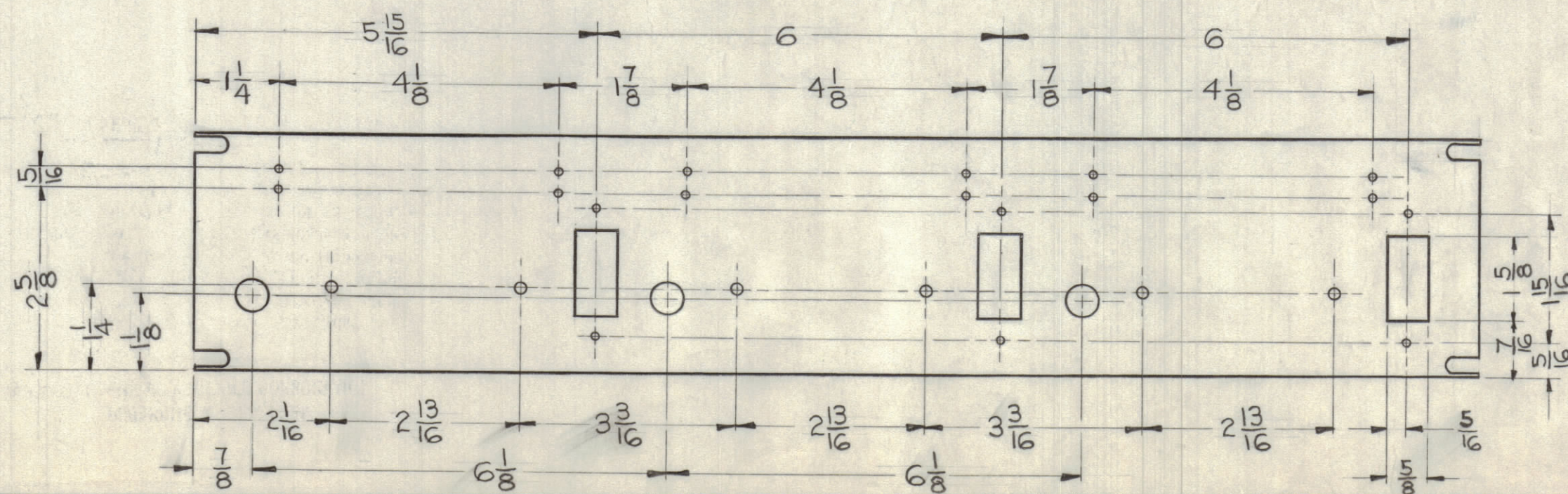
**NOTICE TO PERSONS RECEIVING THIS DRAWING**

THE TECHNICAL MATERIEL CORPORATION claims proprietary right in the material disclosed herein. This drawing is issued in confidence and no engineering information only and may not be reproduced or used to manufacture any thing without the written permission from THE TECHNICAL MATERIEL CORPORATION to the user. This drawing is loaned for mutual assistance and is subject to recall at any time.

Property of:  
THE TECHNICAL MATERIEL CORPORATION  
MAMARONECK, NEW YORK



REF: TMC DWG. NO. SY1262 SHT. 7



SCALE: 1/2" = 1'-0"  
DETAIL OF PANEL

REQ. ITEM	PART NO.	DESCRIPTION	SYMBOL
X 17	PX 100-	INSULATION, SLEEVING	
X 16	WL100-	WIRE BUSS	
X 15	BS100	SOLDER, SOFT	
6 14	LWE06MRN	LOCKWASHER, EXTERNAL TOOTH	
12 13	LWE04MRN	LOCKWASHER, EXTERNAL TOOTH	
6 12	NTH0632BN8	NUT, HEXAGON	
12 11	NTH0440BN6	NUT, HEXAGON	
6 10	SCBP0632BN10	SCREW, MACHINE	
12 9	SCBP0632BN6	SCREW, THREAD CUTTING	
12 8	SCBP0440BN10	SCREW, MACHINE	
3 7	PRS1360 (AEROVOX)	CAPACITOR 100µF 50 VOLTS	
6 6	RC30GF391K	RESISTORS 390Ω 1WATT	
3 5	ST-12-A	SWITCH, TOGGLE	
3 4	A-4350 (STANCOR)	TRANSFORMER	
6 3	JJ-116-2	JACK-TELEPHONE, TYPE	
3 2	TM-102-10	TERMINAL STRIP BARRIER TYPE	
1 1	MS-157-2	PANEL STANDARD 19" 3/16 THICK	

SYM	ZONE	DESCRIPTION	DATE	CH. NO.	DRAFTS	CHECKER	ENG. APP.
Ø		ORIGINAL RELEASE FOR PRODUCTION	7/19/69				

UNLESS OTHERWISE SPECIFIED:  
SCALE 1" = 1'-0"

DIMENSIONS ARE IN INCHES  
TOLERANCES ON FRACTIONS ± 1/64 DECIMALS ± .005 ANGLES ± 1/2°

MAXIMUM ALLOWABLE TOLERANCES HAVE BEEN DETERMINED AND ANY DEVIATIONS WILL BE CAUSE FOR REJECTION. REMOVE ALL BURRS & SHARP EDGES

REQ. PER UNIT	MODEL	SECTION	ASSY. NO.	DATE
	SYM2002-2			4-23-62

TYPE & TEMPER.	HEAT TREAT. SPEC.	FINISH & SPEC. NO.	ELEC. DES. APP.	MECH. DES. APP.	SHEET OF
					1

THE TECHNICAL MATERIEL CORP.  
MAMARONECK, NEW YORK  
PANEL, TELEPHONE SWITCH CABINET 2.10  
DRAWN: R. Juchin  
CHECKED: [Signature]  
FINAL APPROVAL: [Signature] 7/10/69  
A-2426

A2426