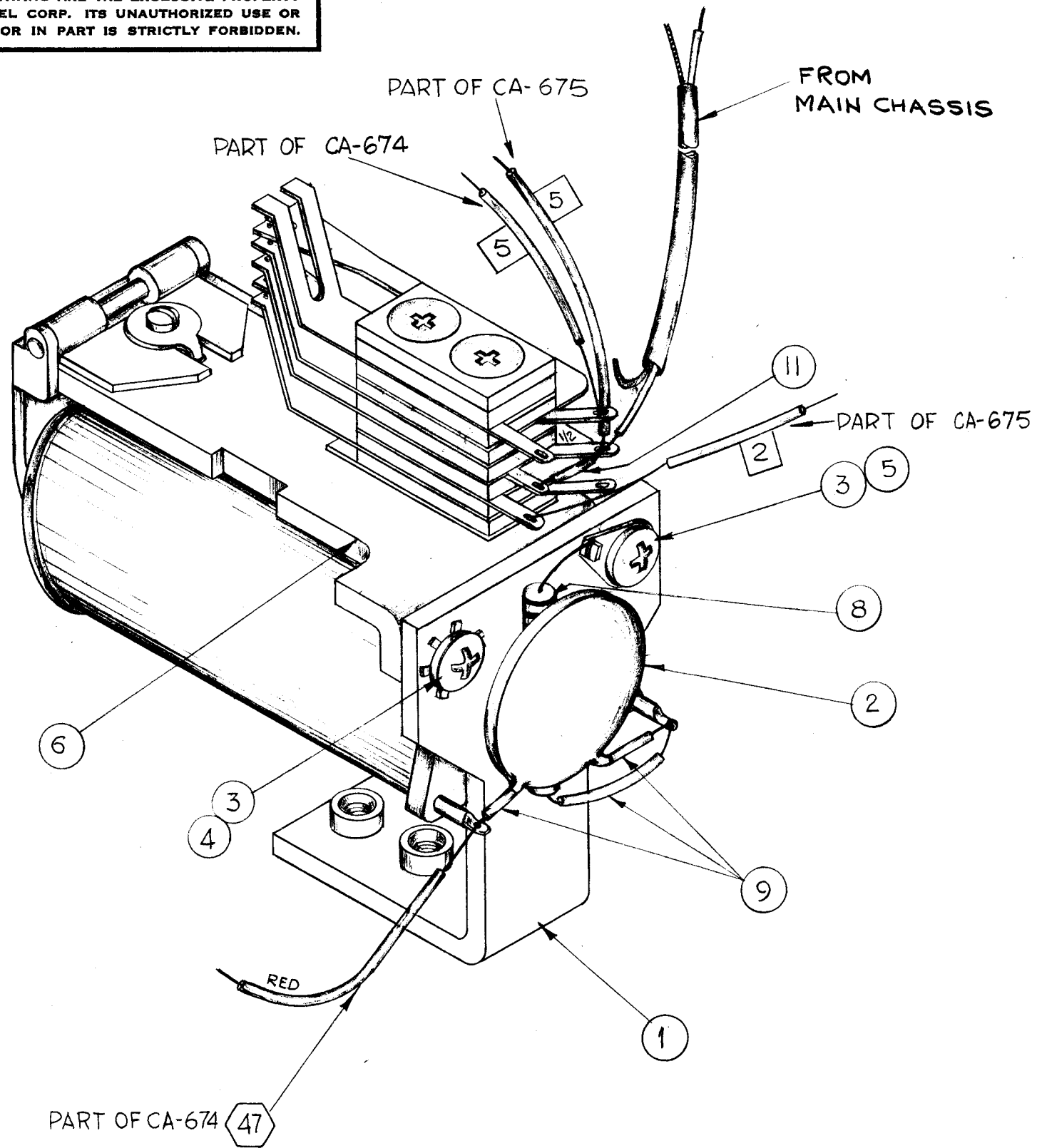


A-2399 B

THE CONTENTS OF THIS DRAWING ARE THE EXCLUSIVE PROPERTY OF THE TECHNICAL MATERIEL CORP. ITS UNAUTHORIZED USE OR REPRODUCTION IN WHOLE OR IN PART IS STRICTLY FORBIDDEN.



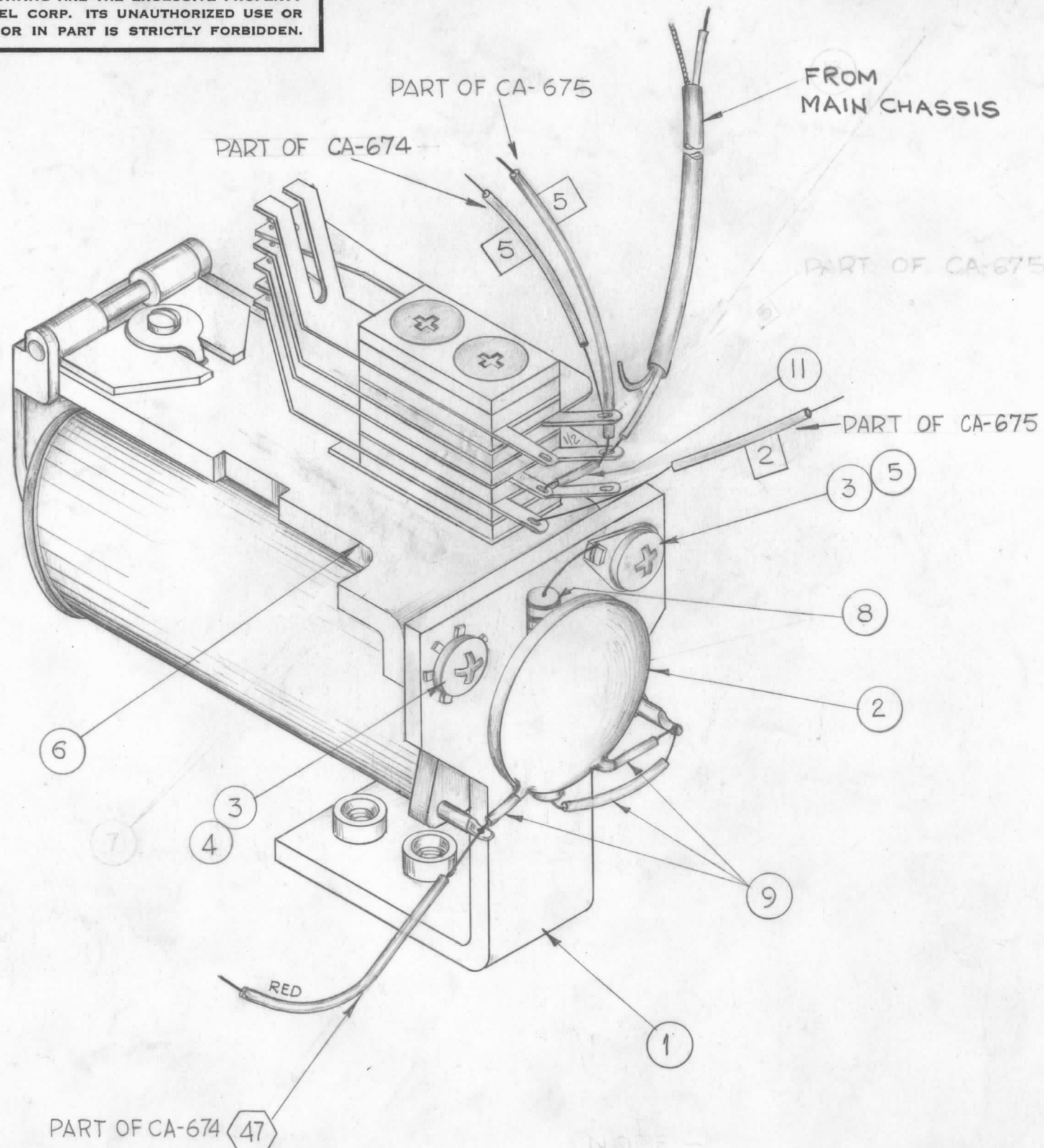
	13	DELETED		
-	12	DELETED	DELETED	
X	11	PX-104-1-034	INSULATION SLEEVING	BLACK
X	10	PX-104-7-034	↑	GREY
X	9	PX-104-3-034	INSULATION SLEEVING	RED
1	8	RC-32 GF 333J	RESISTOR, FIXED, COMPOSITION	R7116
-	7	DELETED	DELETED	
1	6	RL-105	RELAY, ARMATURE	K7000
1	5	TE-104-2	TERMINAL, LUG, LOCKING	
1	4	LWE06 MRN	WASHER, LOCK, EXTERNAL	
2	3	SCBP0632BN4	SCREW, MACHINE	
1	2	CC-100-32	CAPACITOR, FIXED, CERAMIC, DISC	C7059
1	1	MS-2858	BRACKET, RELAY MOUNTING	

REQ.	ITEM	PART NO.	T. FAIOLA	DESCRIPTION	SYMBOL
			THE TECHNICAL MATERIEL CORP. MAMARONECK, NEW YORK		
STOCK SIZE			RELAY ASSEMBLY, SSB MODE SELECTOR K7000		
MATERIAL					
			G.D.L.		
TYPE & TEMPER			HEAT TREAT. SPEC.	DRAWN	CHECKED
				A.K. Paula	BP
FINISH & SPEC. NO.			ELEC. DES. APP.	MECH. DES. APP.	
					A-2399 B

B	ITEM 8 WAS RC 32 GF 333K	2.27.67	17850	WAB	QC/0	
A	BUILD UP UPDATED NOTE "FR. MAIN CHAS." ADD TO PICT. IT. 13 CA 351-6 DELETED	1.5.65	13180	MB		
SYM	DESCRIPTION	DATE	CH. NO.	DRAFTS	CHECKER	ENG. APP.
UNLESS OTHERWISE SPECIFIED:		SCALE: DO NOT SCALE				
DIMENSIONS ARE IN INCHES		MAXIMUM ALLOWABLE TOLERANCES HAVE BEEN DETERMINED AND ANY DEVIATIONS WILL BE CAUSE FOR REJECTION.				
TOLERANCES ON FRACTIONS ± 1/64 DECIMALS ± .005 ANGLES ± 1/2°		REMOVE ALL BURRS AND SHARP EDGES				
		REQ. PER UNIT	HFA-1	K7000	7-26-62	
			MODEL	SECTION	ASS'Y. NO.	DATE
		USED ON				

A-2399 B

THE CONTENTS OF THIS DRAWING ARE THE EXCLUSIVE PROPERTY OF THE TECHNICAL MATERIEL CORP. ITS UNAUTHORIZED USE OR REPRODUCTION IN WHOLE OR IN PART IS STRICTLY FORBIDDEN.



B	ITEM 8 WAS RC32GF333K	2.27.67	17850	WAB	QCB	
A	BUILD UP UPDATED NOTE "FR. MAIN CHAS." ADD TO PICT. IT.13 CA351-6 DELETED	1.5.65	13180	WAB	QCB	
SYM	DESCRIPTION	DATE	CH. NO.	DRAFTS	CHECKER	ENG. APP.

UNLESS OTHERWISE SPECIFIED:
 DIMENSIONS ARE IN INCHES
 TOLERANCES ON FRACTIONS ± 1/64 DECIMALS ± .005 ANGLES ± 1/2°
 SCALE: DO NOT SCALE
 MAXIMUM ALLOWABLE TOLERANCES HAVE BEEN DETERMINED AND ANY DEVIATIONS WILL BE CAUSE FOR REJECTION.
 REMOVE ALL BURRS AND SHARP EDGES

REQ. PER UNIT	HFA-1	K7000	7-26-62
	MODEL	SECTION	ASS'Y. NO.
	USED ON		

1	13	DELETED	CABLE COAXIAL RE. (RS 174/U)	
X	12	DELETED	DELETED	
X	11	PX-104-1-034	INSULATION SLEEVING	BLACK
X	10	PX-104-7-034		GREY
X	9	PX-104-3-034	INSULATION SLEEVING	RED
1	8	RC-32 GF 333J	RESISTOR, FIXED, COMPOSITION	R7116
-	7	DELETED	DELETED	
1	6	RL-105	RELAY, ARMATURE	K7000
1	5	TE-104-2	TERMINAL, LUG, LOCKING	
1	4	LWE06 MRN	WASHER, LOCK, EXTERNAL	
2	3	SCBP0632BN4	SCREW, MACHINE	
1	2	CC-100-32	CAPACITOR, FIXED, CERAMIC, DISC	C7059
1	1	MS-2858	BRACKET, RELAY MOUNTING	

REQ.	ITEM	PART NO.	T. FAIOLA	DESCRIPTION	SYMBOL
STOCK SIZE			THE TECHNICAL MATERIEL CORP. MAMARONECK, NEW YORK		
MATERIAL			RELAY ASSEMBLY, SSB MODE SELECTOR K7000		
TYPE & TEMPER		HEAT TREAT. SPEC.	G.D.L.	CHECKED	FINAL APPROVAL
FINISH & SPEC. NO.		ELEC. DES. APP.	A.K. Paula	MECH. DES. APP.	

BP
 A-2399 B