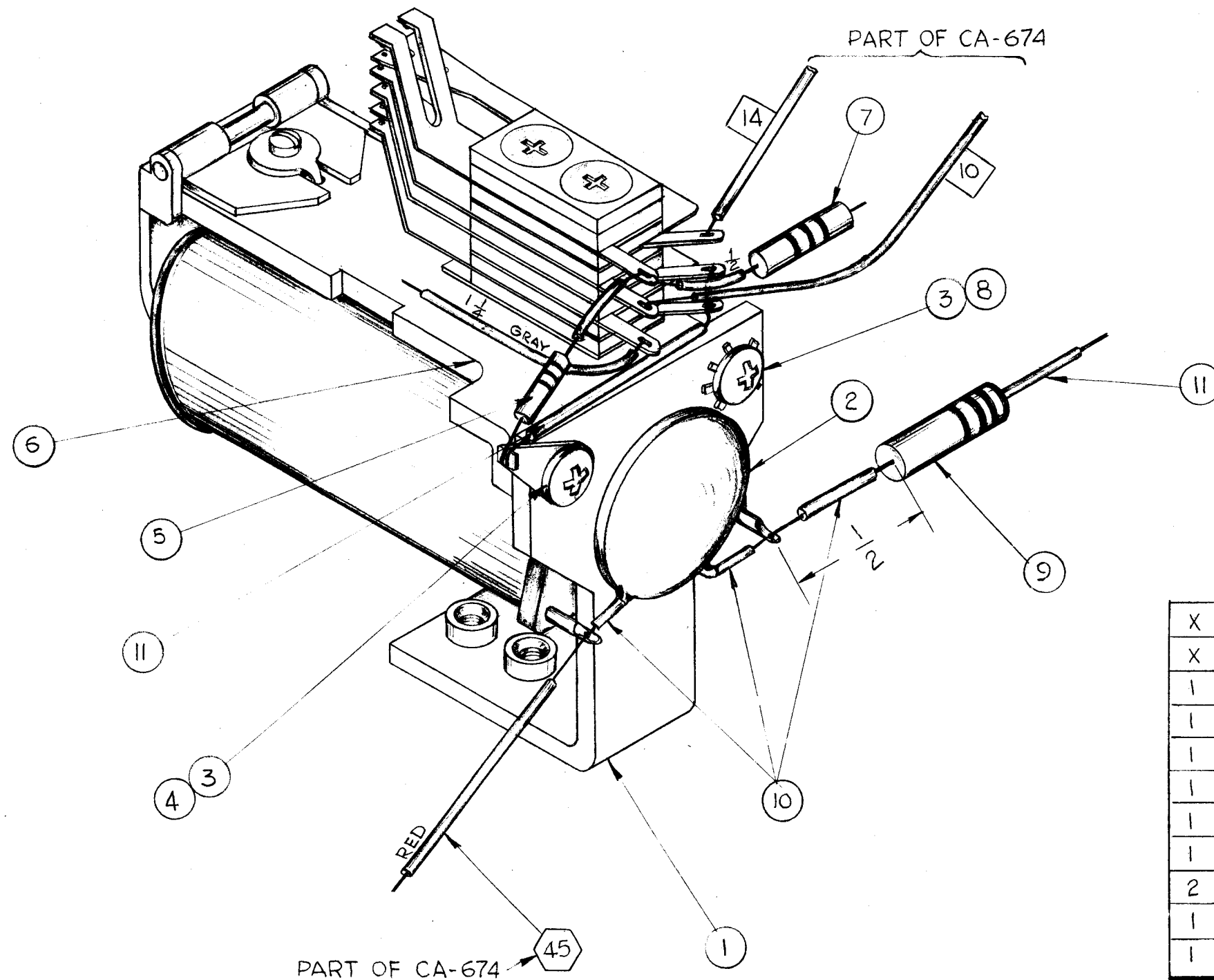


A-2398 B

THE CONTENTS OF THIS DRAWING ARE THE EXCLUSIVE PROPERTY OF THE TECHNICAL MATERIEL CORP. ITS UNAUTHORIZED USE OR REPRODUCTION IN WHOLE OR IN PART IS STRICTLY FORBIDDEN.



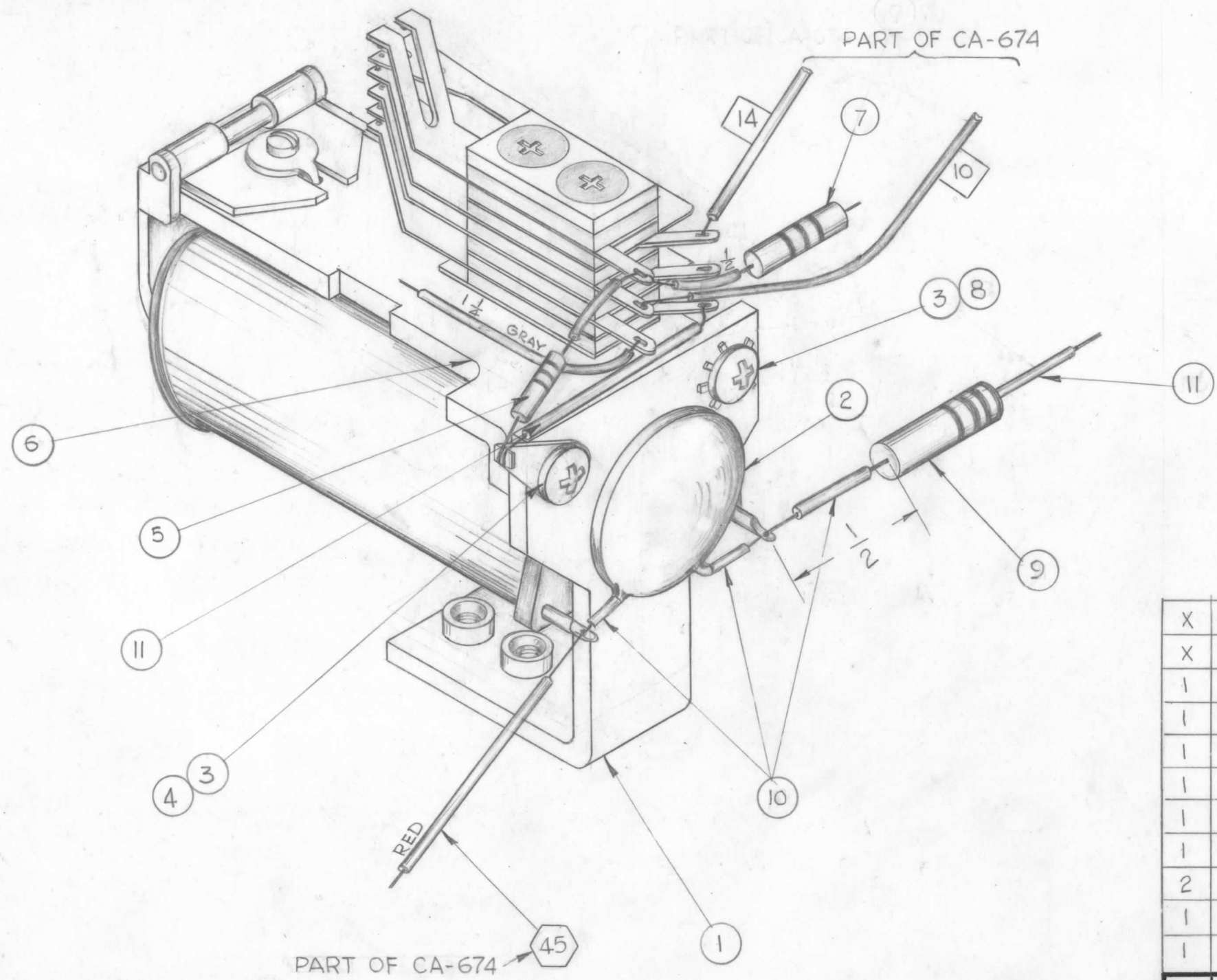
X	11	PX-104-1-034	INSULATION SLEEVING	BLACK
X	10	PX-104-7-034	INSULATION SLEEVING	GRAY
1	9	RC32GF333J	RESISTOR, FIXED, COMPOSITION	R7117
1	8	LWE06MRN	WASHER, LOCK, EXTERNAL	
1	7	RC20GF474J	RESISTOR, FIXED, COMPOSITION	R7118
1	6	RL-105	RELAY, ARMATURE	K7001
1	5	RC20GF473J	RESISTOR, FIXED, COMPOSITION	R7119
1	4	TE-104-2	TERMINAL, LUG, LOCKING	
2	3	SCBP0632BN4	SCREW, MACHINE	
1	2	CC-100-32	CAPACITOR, FIXED, CERAMIC, DISC	C7061
1	1	MS-2858	BRACKET, RELAY MOUNTING	

REQ.	ITEM	PART NO.	T. FAIOLA	DESCRIPTION	SYMBOL
			THE TECHNICAL MATERIEL CORP. MAMARONECK, NEW YORK		
STOCK SIZE			RELAY ASSEMBLY, AUDIO SYNC TONE K7001		
MATERIAL					
			G.D.L.		<i>BP</i>
TYPE & TEMPER		HEAT TREAT. SPEC.	DRAWN	CHECKED	FINAL APPROVAL
			<i>O.R. Pawla</i>		
FINISH & SPEC. NO.			ELEC. DES. APP.		MECH. DES. APP.

B	TOL. ITEM 5, 7 & 9 WAS "K"	2.27.67	17850	WHO	<i>[Signature]</i>	
A	BUILDUP UPDATED	1.5.65	13180	ASB	<i>[Signature]</i>	
SYM	DESCRIPTION	DATE	CH. NO.	DRAFTS	CHECKER	ENG. APP.
UNLESS OTHERWISE SPECIFIED:		SCALE:				
DIMENSIONS ARE IN INCHES		MAXIMUM ALLOWABLE TOLERANCES HAVE BEEN DETERMINED AND ANY DEVIATIONS WILL BE CAUSE FOR REJECTION.				
TOLERANCES ON FRACTIONS ± 1/64		REMOVE ALL BURRS AND SHARP EDGES				
DECIMALS ± .005						
ANGLES ± 1/2°						
		HFA-1	K7001		7-26-62	
		MODEL	SECTION	ASSY. NO.	DATE	
		USED ON				
REQ. PER UNIT						

A-2398 B

THE CONTENTS OF THIS DRAWING ARE THE EXCLUSIVE PROPERTY OF THE TECHNICAL MATERIEL CORP. ITS UNAUTHORIZED USE OR REPRODUCTION IN WHOLE OR IN PART IS STRICTLY FORBIDDEN.



X	11	PX-104-1-034	INSULATION SLEEVING	BLACK
X	10	PX-104-7-034	INSULATION SLEEVING	GRAY
1	9	RC32GF333J	RESISTOR, FIXED, COMPOSITION	R7117
1	8	LWE06MRN	WASHER, LOCK, EXTERNAL	
1	7	RC20GF474J	RESISTOR, FIXED, COMPOSITION	R7118
1	6	RL-105	RELAY, ARMATURE	K7001
1	5	RC20GF473J	RESISTOR, FIXED, COMPOSITION	R7119
1	4	TE-104-2	TERMINAL, LUG, LOCKING	
2	3	SCBP0632BN4	SCREW, MACHINE	
1	2	CC-100-32	CAPACITOR, FIXED, CERAMIC, DISC	C7061
1	1	MS-2858	BRACKET, RELAY MOUNTING	

REQ.	ITEM	PART NO.	T. FAIOLA	DESCRIPTION	SYMBOL
			<b>THE TECHNICAL MATERIEL CORP.</b> MAMARONECK, NEW YORK		
STOCK SIZE			RELAY ASSEMBLY, ONE		
MATERIAL			AUDIO SYNC TONE K7001		
		G.D.L.			
TYPE & TEMPER		HEAT TREAT. SPEC.	DRAWN	CHECKED	FINAL APPROVAL
			<i>O.R. Pawla</i>		<i>BP</i>
FINISH & SPEC. NO.		ELEC. DES. APP.	MECH. DES. APP.	A-2398 B	

B	TOL. ITEM 5, 7 & 9 WAS "K"	2.27.67	17850	WFO	<i>[Signature]</i>	
A	BUILDUP UPDATED	1.5.65	13180	WFB	<i>[Signature]</i>	
SYM	DESCRIPTION	DATE	CH. NO.	DRAFTS	CHECKER	ENG. APP.
UNLESS OTHERWISE SPECIFIED:		SCALE:				
DIMENSIONS ARE IN INCHES		MAXIMUM ALLOWABLE TOLERANCES HAVE BEEN DETERMINED AND ANY DEVIATIONS WILL BE CAUSE FOR REJECTION. REMOVE ALL BURRS AND SHARP EDGES				
TOLERANCES ON FRACTIONS ± 1/64 DECIMALS ± .005 ANGLES ± 1/2°		HFA-1 K7001 7-26-62				
		REQ. PER UNIT	MODEL	SECTION	ASS'Y. NO.	DATE
			USED ON			