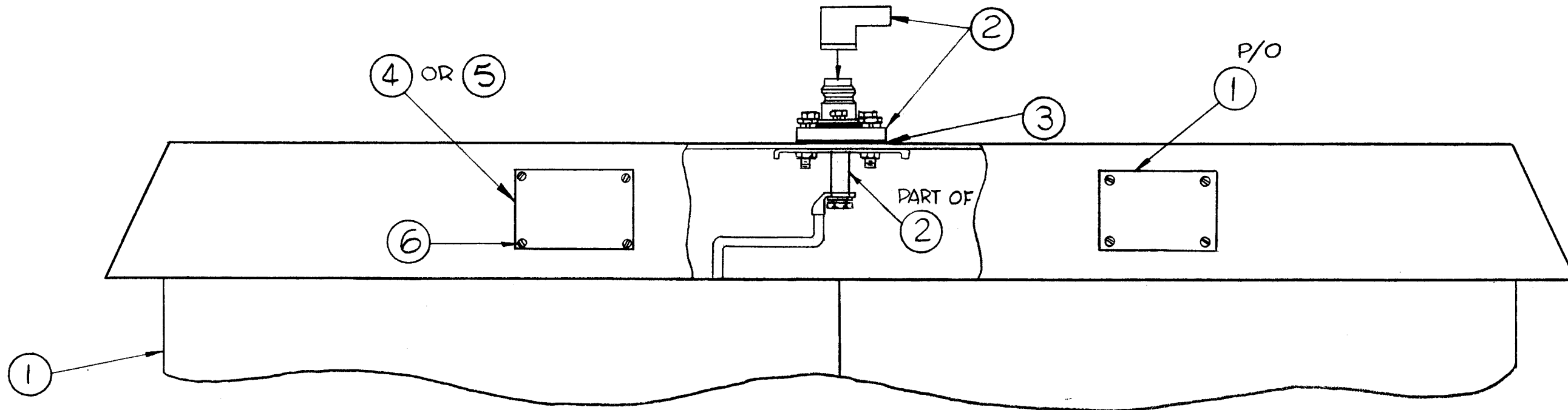


A-2389 A

THE CONTENTS OF THIS DRAWING ARE THE EXCLUSIVE PROPERTY OF THE TECHNICAL MATERIEL CORP. ITS UNAUTHORIZED USE OR REPRODUCTION IN WHOLE OR IN PART IS STRICTLY FORBIDDEN.



AS REQUIRED {

4	6	SFB0440SN4	SCREW, SELF TAPPING	
1	5	NP-	NAMEPLATE, NAVY	
1	4	NP-176-8	NAMEPLATE, COMM.	
1	3	GA-149-2	GASKET, ROUND	
1	2	AX-273-6	CONNECTOR ASS'Y.	QDL
1	1	A-2358	TER-5000-50 MAIN ASSY	

REQ.	ITEM	PART NO.	DESCRIPTION	SYMBOL
			THE TECHNICAL MATERIEL CORP. MAMARONECK, NEW YORK	
STOCK SIZE			TER-5000-50/AX-273-2 ASS'Y.	
MATERIAL				
		GG	RUZZO	SM
TYPE & TEMPER		HEAT TREAT. SPEC.	DRAWN	CHECKED
			OR	MC
FINISH & SPEC. NO.		ELEC. DES. APP.	MECH. DES. APP.	A-2389

A	CONN. DETAIL REVISED; IT. 2 P/N WAS AX-273-2	1-7-65	13228	82	82	82
SYM	DESCRIPTION	DATE	CH. NO.	DRAFTS	CHECKER	ENG. APP.
UNLESS OTHERWISE SPECIFIED:		SCALE: DO NOT SCALE				
DIMENSIONS ARE IN INCHES		MAXIMUM ALLOWABLE TOLERANCES HAVE BEEN DETERMINED AND ANY DEVIATIONS WILL BE CAUSE FOR REJECTION.				
TOLERANCES ON FRACTIONS ± 1/64		REMOVE ALL BURRS AND SHARP EDGES				
DECIMALS ± .005						
ANGLES ± 1/2°						

1	TER-5K-50/AX-273-2			2-23-62
REQ. PER UNIT	MODEL	SECTION	ASS'Y. NO.	DATE
USED ON				