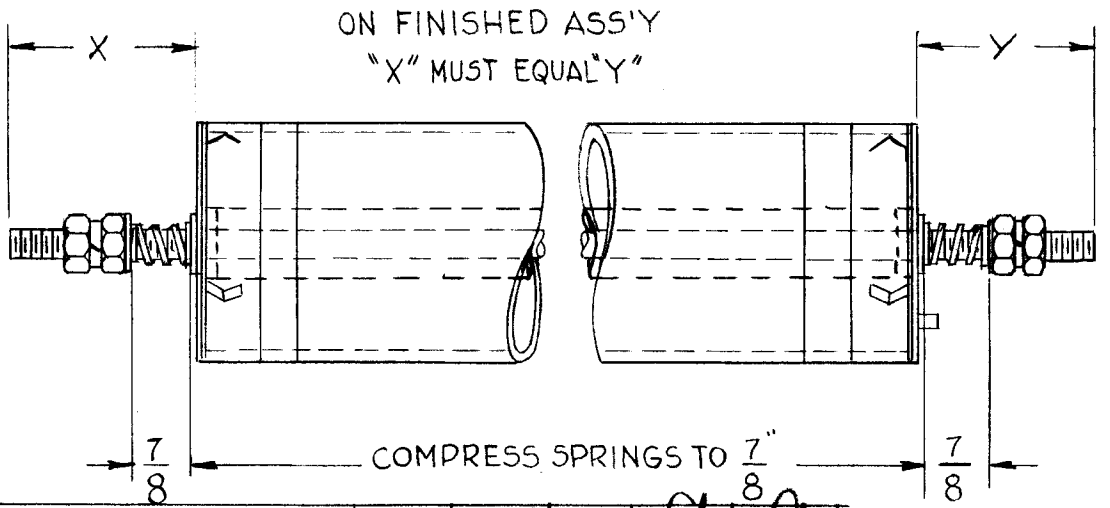
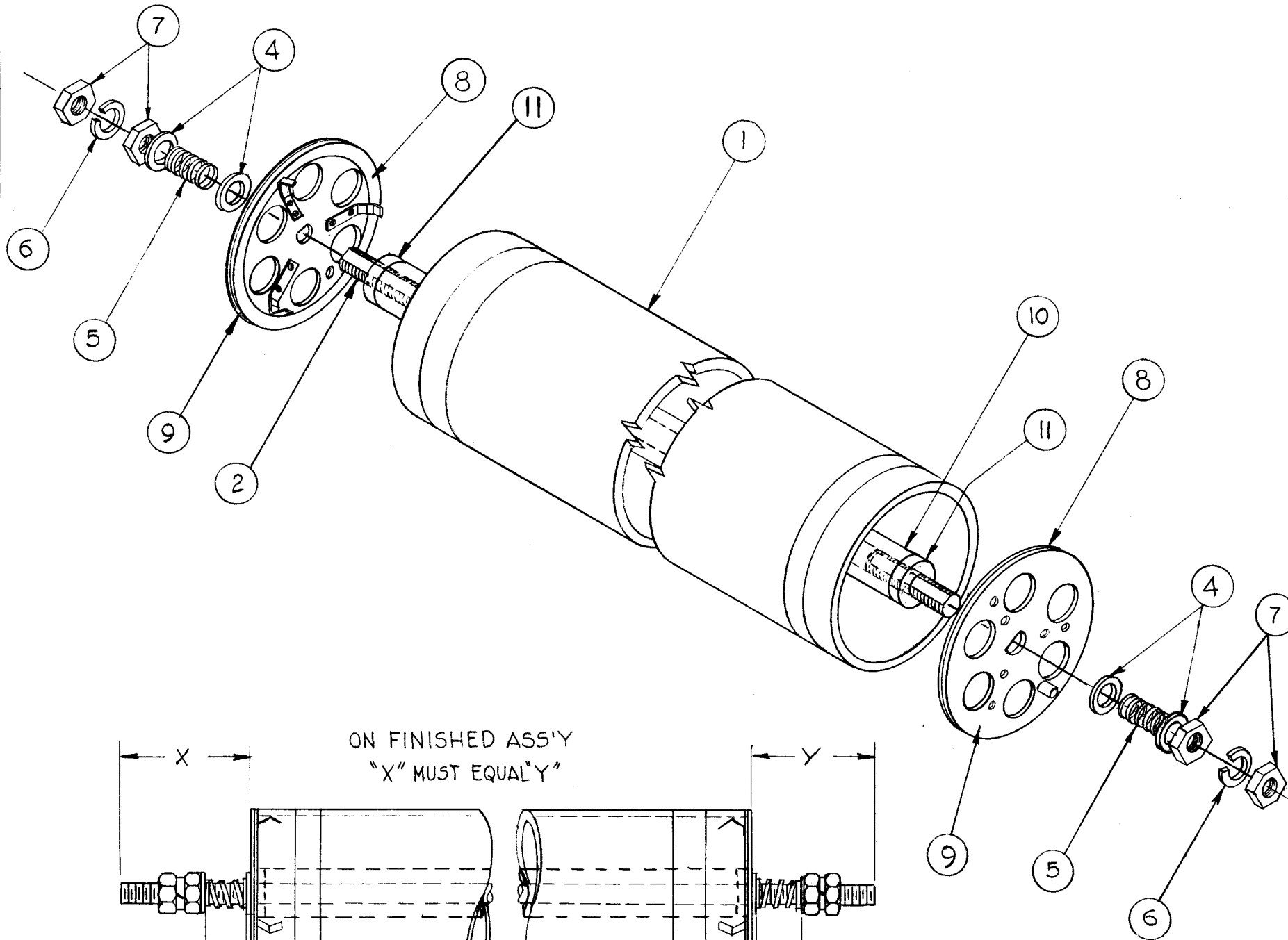


C

THE CONTENTS OF THIS DRAWING ARE THE EXCLUSIVE PROPERTY OF THE TECHNICAL MATERIEL CORP. ITS UNAUTHORIZED USE OR REPRODUCTION IN WHOLE OR IN PART IS STRICTLY FORBIDDEN.

A-2356



2	11	PM-743	CAP CENTER CONDUCTOR	
1	10	TU104L26S47.84	TUBE, CENTER CONDUCTOR	
2	9	A-1631-2	CAP PLATE ASS'Y	
2	8	IM-172-2	INSULATION, RESISTOR	
4	7	NTH5013BN24	NUT, HEX	
2	6	LW550MRN	LOCK WASHER, SPLIT, 7/8 D.	
2	5	SP-133	SPRING, COMPRESSION, 1" Lg.	
4	4	FW50LBN	WASHER, FLAT, 7/8 MAX. D.	
1	2	PM-511-1	ROD, CENTER CONDUCTOR	
1	1	RR-120-140	RESISTOR, FIXED, 3000 WATTS	

REQ. ITEM	PART NO.	DESCRIPTION	SYMBOL
THE TECHNICAL MATERIEL CORP.			
MAMARONECK, NEW YORK			
RESISTOR & CAP ASS'Y			
TER 5000/50			
G.D.L.		<i>[Signature]</i>	<i>[Signature]</i>
TYPE & TEMPER	HEAT TREAT. SPEC.	DRAWN	CHECKED
FINISH & SPEC. NO.		ELEC. DES. APP.	MECH. DES. APP.
			A-2356
			C

C	ITEM 3 DELETED. QTY. ITEM 9 WAS ONE	3-25-75	21228	G.D.L.	<i>[Signature]</i>	<i>[Signature]</i>
B	IT. 10 WAS TU104LZ6 S48.00	2.27.68	18791	H.L.	<i>[Signature]</i>	<i>[Signature]</i>
A	ITEM (10) WAS TU-104	12/22/63	10568	<i>[Signature]</i>	<i>[Signature]</i>	<i>[Signature]</i>
SYM	DESCRIPTION	DATE	CH. NO.	DRAFTS	CHECKER	ENG. APP.

UNLESS OTHERWISE SPECIFIED:
 DIMENSIONS ARE IN INCHES
 TOLERANCES ON FRACTIONS ± 1/64 DECIMALS ± .005 ANGLES ± 1/20

SCALE: DO NOT SCALE
 MAXIMUM ALLOWABLE TOLERANCES HAVE BEEN DETERMINED AND ANY DEVIATIONS WILL BE CAUSE FOR REJECTION.
 REMOVE ALL BURRS AND SHARP EDGES

1	TER 5000/50				1-30-62
REQ. PER UNIT	MODEL	SECTION	ASS'Y. NO.	DATE	USED ON