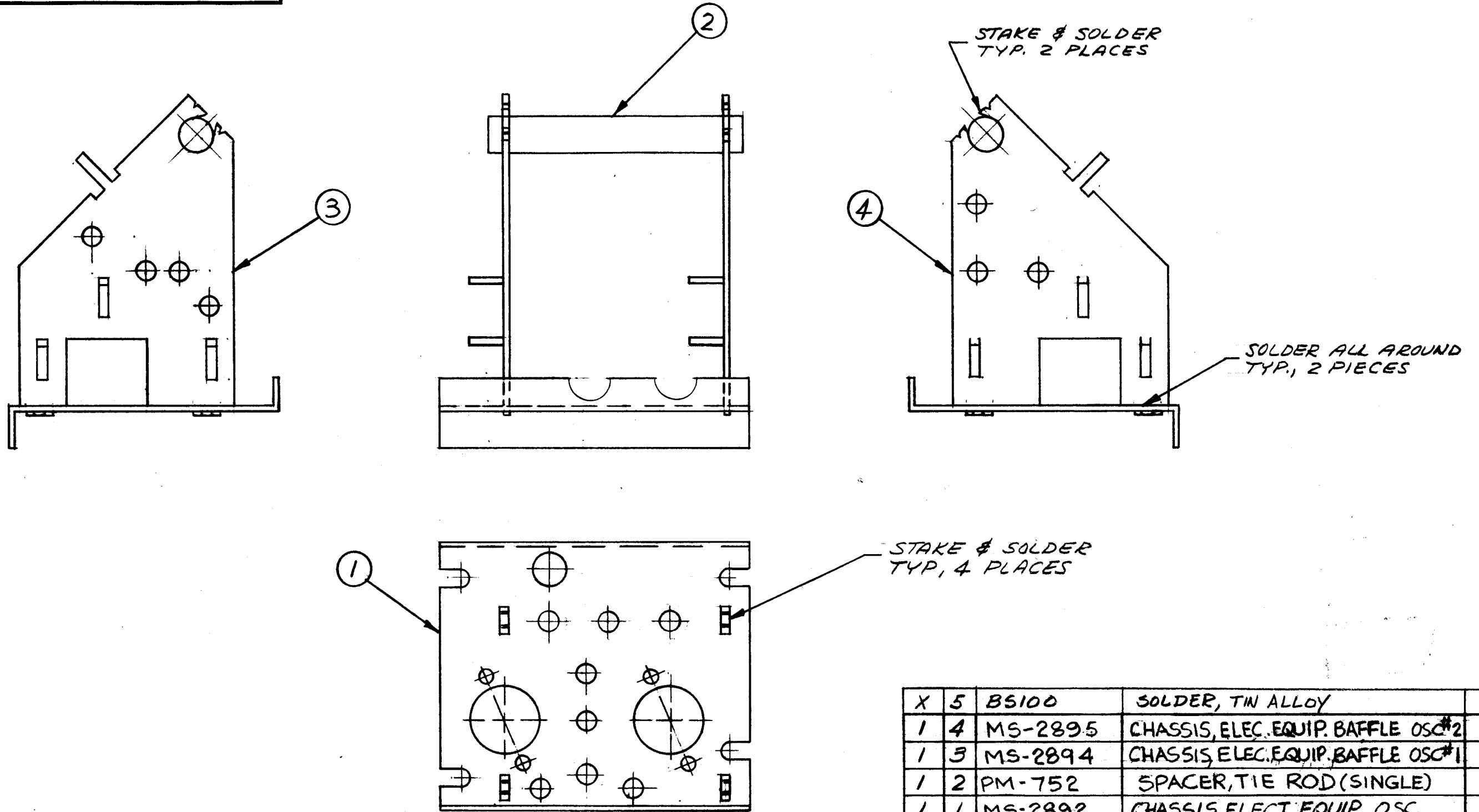


A-2343 B

THE CONTENTS OF THIS DRAWING ARE THE EXCLUSIVE PROPERTY OF THE TECHNICAL MATERIEL CORP. ITS UNAUTHORIZED USE OR REPRODUCTION IN WHOLE OR IN PART IS STRICTLY FORBIDDEN.



X	5	BS100	SOLDER, TIN ALLOY			
1	4	MS-2895	CHASSIS, ELEC. EQUIP. BAFFLE OSC#2			
1	3	MS-2894	CHASSIS, ELEC. EQUIP. BAFFLE OSC#1			
1	2	PM-752	SPACER, TIE ROD (SINGLE)			
1	1	MS-2892	CHASSIS, ELECT. EQUIP, OSC			
REQ.	ITEM	PART NO.	J. ANGER DESCRIPTION	SYMBOL		
			THE TECHNICAL MATERIEL CORP. MAMARONECK, NEW YORK			
			CHASSIS, OSC, ASS'Y.			
			MATERIAL			
			AB	HO		
			DP			
		TYPE & TEMPER	HEAT TREAT. SPEC.	DRAWN	CHECKED	FINAL APPROVAL
		SILVER PLATE, BRIGHT		J. ANGER		A-2343 B
		FINISH & SPEC. NO.	ELEC. DES. APP.	MECH. DES. APP.		

B	IT. (S) ADDED	8-6-64	12046	Allen	NO.	J.
A	NOTCHES ADDED	1/30/64	10822	ED		J.P.
SYM	DESCRIPTION	DATE	CH. NO.	DRAFTS	CHECKER	ENG. APP.
UNLESS OTHERWISE SPECIFIED:		SCALE:				
DIMENSIONS ARE IN INCHES		MAXIMUM ALLOWABLE TOLERANCES HAVE BEEN DETERMINED AND ANY DEVIATIONS WILL BE CAUSE FOR REJECTION.				
TOLERANCES ON FRACTIONS ± 1/64 DECIMALS ± .005 ANGLES ± 1/2°		REMOVE ALL BURRS AND SHARP EDGES				
1	REQ. PER UNIT	HER-1/T	MODEL	SECTION	A 2521	ASS'Y. NO.
					1-20-62	DATE
USED ON						