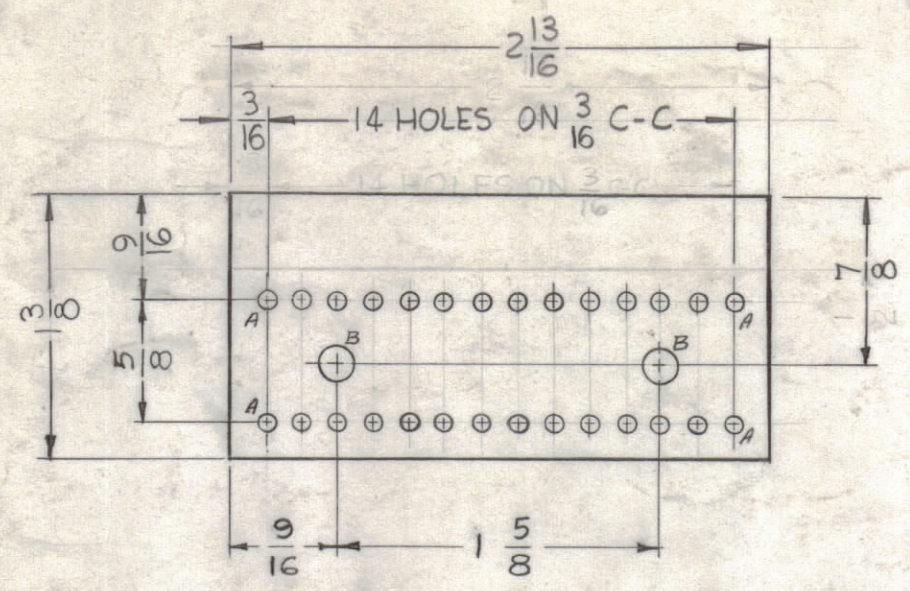
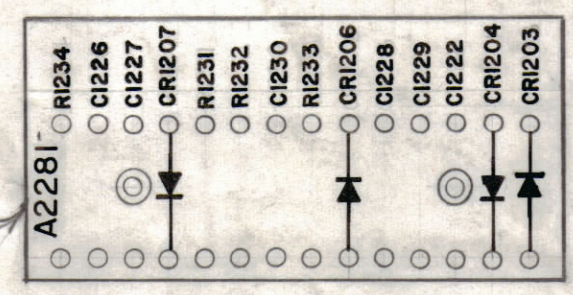


A ~ .070 DIA. 28 REQ.  
B ~ .189 DIA. 2 REQ.

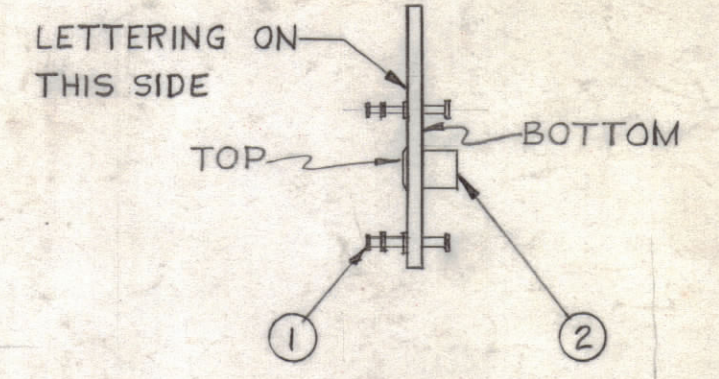


STAGE I ~ MACHINING (A-2281-1)  
MATERIAL ~ .062, XXXP, PHENOLIC, FINISH ~ NATURAL

MARK TMC NO. W/LATEST DEV. LETTER.



LETTERING TO BE 1/8 HIGH BLACK LUSTERLESS, GOTHIC  
MARKING PROCESS: AS PER TMC SPECIFICATION S-727  
STAGE II ~ STAMPING (A-2281-2)

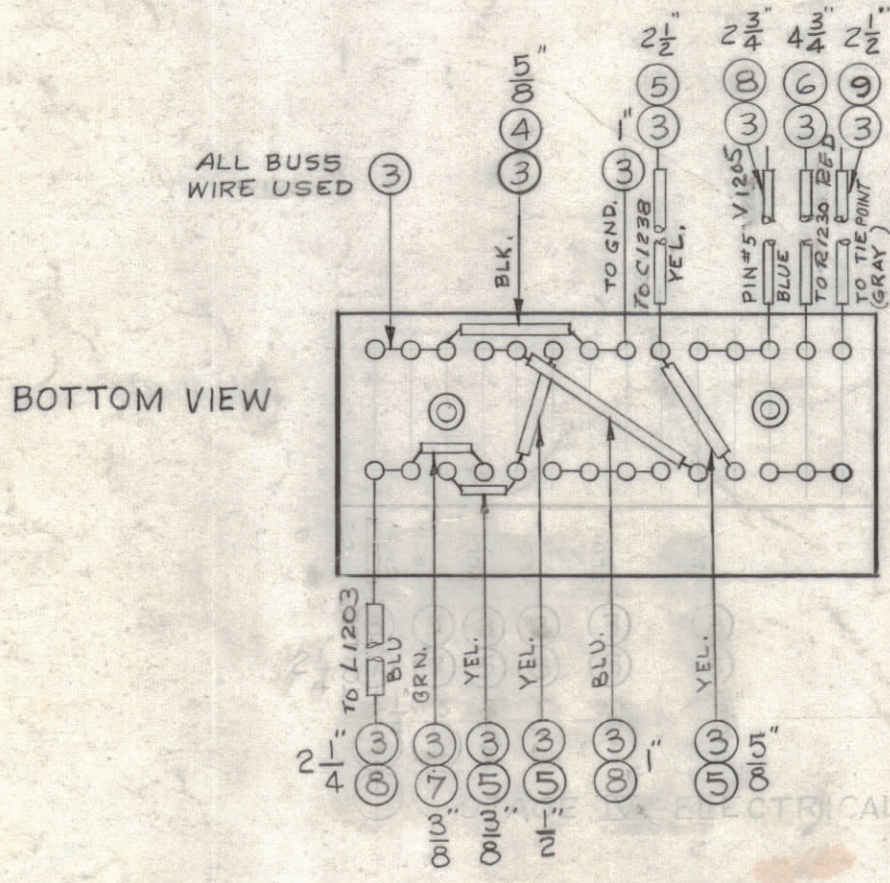
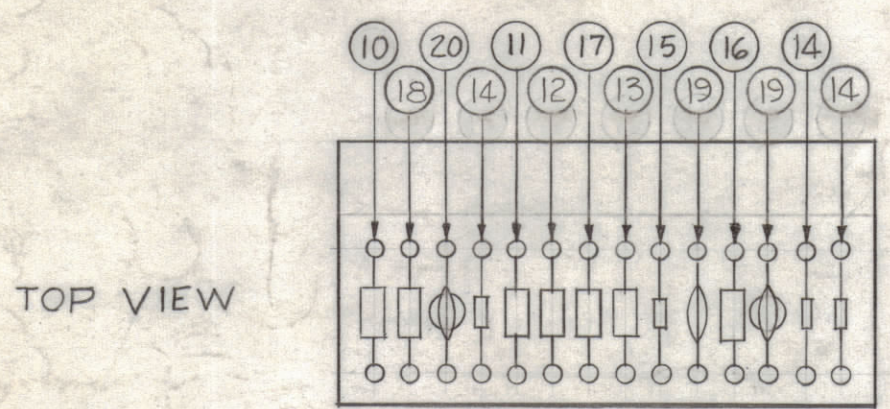


STAGE III ~ SUB-ASS'Y. (A-2281-3)

NOTICE TO PERSONS RECEIVING THIS DRAWING

THE TECHNICAL MATERIEL CORPORATION claims proprietary right in the material disclosed hereon. This drawing is issued in confidence for engineering information only and may not be reproduced or used to manufacture anything shown hereon without permission from THE TECHNICAL MATERIEL CORPORATION to the user. This drawing is loaned for mutual assistance and is subject to recall at any time.

Property of:  
THE TECHNICAL MATERIEL CORPORATION  
MAMARONECK, NEW YORK



NOTE:  
ALL SLEEVING TO BE 1/2 SHORTER THAN BUSS-WIRE.

STAGE IV - ELECTRICAL ASS'Y (A-2281-4)

CR1203  
CR1204  
CR1207

X	21	BS-100	SOLDER, SOFT	
1	20	CC-100-35	CAPACITOR, FIXED CERAMIC DISC.	C1227
2	19	CC-100-16	CAPACITOR, FIXED CERAMIC DISC.	C1222 C1226
1	18	CM15B100J03	CAPACITOR, FIXED MICA	C1226
1	17	CM15B221J03	CAPACITOR, FIXED MICA	C1230
1	16	CM15B470J03	CAPACITOR, FIXED MICA	C1229
1	15	IN34A	DIODE, CRYSTAL	CR1206
3	14	IN463	DIODE, CRYSTAL	
1	13	RC20GF105J03	RESISTOR, FIXED, COMPOSITION	R1233
1	12	RC20GF333J	RESISTOR, FIXED, COMPOSITION	R1232
1	11	RC20GF273J	RESISTOR, FIXED, COMPOSITION	R1231
1	10	RC20GF684J	RESISTOR, FIXED, COMPOSITION	R1234
2 1/2	9	PX 104-7-.034	INSULATING, SLEEVING (SIZE 20)	GRAY
6	8	-6		BLUE
3/8	7	-4		GREEN
4 3/4	6	-3		RED
4	5	-2		YELLOW
5/8	4	PX 104-1-.034	INSULATING- SLEEVING (SIZE 20)	BLACK
X	3	WL-100-6	WIRE BUSS (SIZE 20)	
2	2	TE 164-1	STAND-OFF, RIVET TYPE	
28	1	TE 168-4-B	TERMINAL, MINIATURE	

REQ. ITEM	PART NO.	DESCRIPTION	SYMBOL
THE TECHNICAL MATERIEL CORP. MAMARONECK, NEW YORK			
STOCK SIZE			
MATERIAL			
TERMINAL BOARD & COMPONENT ASS'Y 1.75MC IF & NOISE SILENCER SECTION			
W.S. RUZZO		BP	
DRAWN		CHECKED	
TYPE & TEMPER		HEAT TREAT. SPEC.	
FINISH & SPEC. NO.		ELEC. DES. APP. MECH. DES. APP.	
1 HFR-1/C		7-24-62	
REQ. PER UNIT		USED ON	
MODEL		SECTION	
ASS'Y. NO.		DATE	
FINISH & SPEC. NO.		ELEC. DES. APP. MECH. DES. APP.	
A 2281		SHEET OF	

SYM	ZONE	DESCRIPTION	DATE	CH. NO.	DRAFTS	CHECKER	ENG. APP.
A		IT, 10, 1013 RES. WERE K TOL. IT, 16, 17, 18 WERE K TOL.	2-28-67	17844			

UNLESS OTHERWISE SPECIFIED:  
DIMENSIONS ARE IN INCHES  
TOLERANCES ON  
FRACTIONS ± 1/64 DECIMALS ± .005 ANGLES ± 1/2°

SCALE  
MAXIMUM ALLOWABLE TOLERANCES HAVE BEEN DETERMINED AND ANY DEVIATIONS WILL BE CAUSE FOR REJECTION. REMOVE ALL BURRS & SHARP EDGES